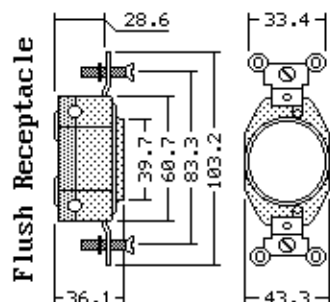


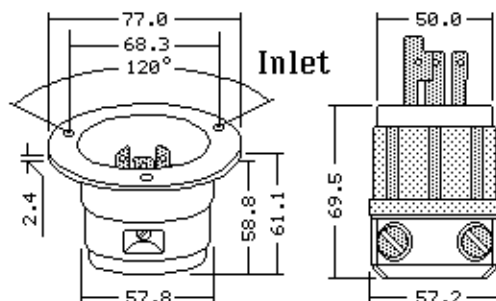
Cord Clamp Range
Plug & Connector
15.1 - 29.2 mm

**NON-
NEMA**

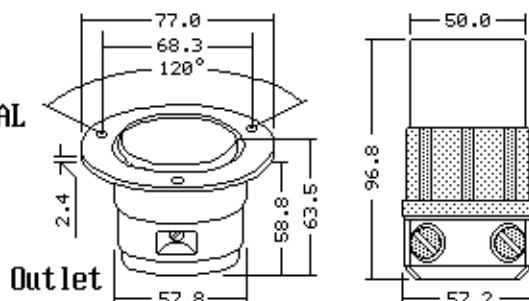


UL

Dimensions
= mm



LOCKING
INDUSTRIAL



250V AC/DC-20A
600V AC-10A, 4-Pole 5-Wire Grounding

| Catalog Number | Beschreibung | Description | NEMA | UPE/Pack |
|----------------|-----------------|------------------|------|----------|
| 3521-C | Stecker | Plug | NON | 30/10 |
| 3523-C | Kupplung | Connector | NON | 30/10 |
| 3525-C | Einbausteckdose | Flanged Outlet | NON | 10/1 |
| 3524-C | Einbaustecker | Flanged Inlet | NON | 10/1 |
| 3520 | Steckdose | Flush Receptacle | NON | 30/10 |