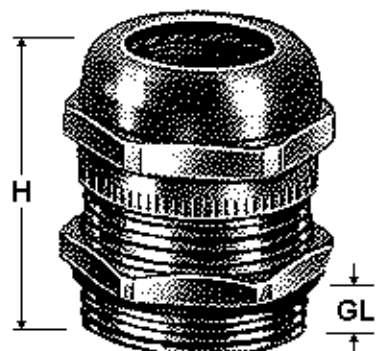


Abmessungen / Dimensions = mm



SW = Schlüsselweite / Width Across Flats
 UPE = Verpackungseinheit / Packed

Catalog No.	PG	Cable \varnothing	GL	H	SW	UPE
156.0705.03	7	2- 5	5	24	14	10
156.0707.03	7	3- 6.5	5	24	14	10
156.0906.03	9	2- 6	6	26	17	10
156.0908.03	9	4- 8	6	26	17	10
156.1107.03	11	3- 7	6	27	20	10
156.1110.03	11	5-10	6	27	20	10
156.1309.03	13.5	5- 9	6.5	28.5	22	10
156.1312.03	13.5	6-12	6.5	28.5	22	10
156.1612.03	16	7-12	6.5	29.5	24	10
156.1614.03	16	10-14	6.5	29.5	24	10
156.2116.03	21	9-16	7	32	30	10
156.2118.03	21	13-18	7	32	30	10
156.2920.03	29	13-20	8	37	40	5
156.2925.03	29	18-25	8	37	40	5
156.3626.03	36	20-26	8	43	50	5
156.3632.03	36	22-32	8	43	50	5

Material: Edelstahl 1.4305
 Stainless Steel

O-Ring: Viton

Dichtung: Viton
 Sealing

Temperatur: -40°C bis +150°C
 Temp. Range

Ölbeständ.: gut / good
 Oil Resist.

Schutzart: IP 68 - 10 bar
 Protection

Farbe: drehblank
 Color: Blank

(available M12x1.5-M40x1.5)