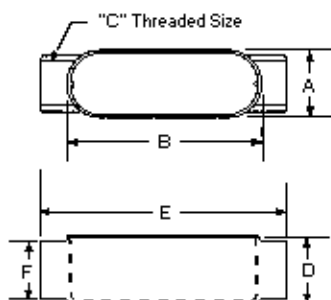




Type C

Dimensions  
= mm

### CONDUIT BODIES, Aluminum - Threaded with Cover and Gasket Included

For use on threaded rigid GRC/IMC conduit. Use conduit outlet bodies for connecting conduit sections, for making bends in conduit runs, as pull outlets, or to provide openings for making splices and taps in conductors. Assembled with cover and gasket to speed installation - installer has all components needed. Integral bushings protect wire insulation. Flat back design for easy mounting close walls. Cast of high strength, corrosion and weather resistant aluminum alloy with painted finish. May be used on aluminum or steel conduit. Lightweight - makes installation simple. UL Listed - Standard 514B, CSA Certified - C 22.2 No. 18

Catalog No.	Size	A	B	C	D	E	F	Wght.EA	UPE/Pack	EDP No
EAC-1CG	1/2"	30.2	98.4	1/2"	36.5	117.5	27.0		12	113110
EAC-2CG	3/4"	38.1	117.5	3/4"	42.9	130.2	34.1		15	113111
EAC-3CG	1"	44.5	136.5	1"	46.0	163.5	42.1		5	113112