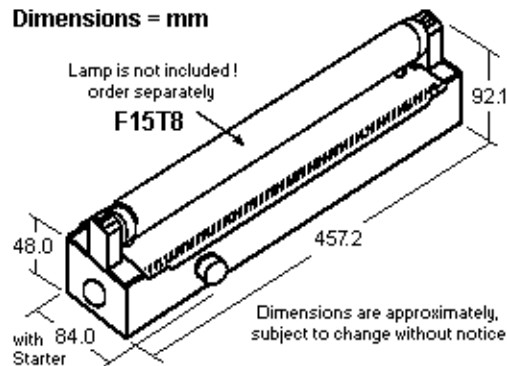


SN-115-PH-120V-U

## Dimensions = mm



The SN Series is a functional and multi-purpose narrow strip family that incorporates premium performance and construction durability. The performance and application versatility of this series can be increased by incorporating symmetrical or asymmetrical reflectors. The SN Series can be installed using various mounting methods and numerous options and accessories are available.

The small size of the SN Series makes it an ideal choice for size-restricted architectural applications. The SN Series can be the illumination solution in commercial, industrial, retail and residential applications. Fixtures can be used in storage/utility areas, display cases, shop's, task and general area lighting. Fixture has a white metal housing. UL and cUL (Canada) Listed. Available on request: Length from 457.2mm to 2438.4mm, from 15 to 59 Watt.

Catalog Number	Description	Wght/ea	UPE/Pack	EDP-No
SN-115-PH-120V-U	Fixture 1x15W 120Vac (Lamp optional)	1012g	10	116539
10143	Fluorescent Lamp F15T8/CW	111g	6	113623

Please request for SN Series full line ordering specifications.