

## SC – Series

### Enclosures NEMA 1 Screw Cover Wall-Mount

#### Industry Standards

UL 50, Type 1  
CSA Certified, Type 1 (See Note)  
NEMA/EEMAC Type 1



SC060604  
with SCF cover



SC080806G



SC080806NK

#### Applications

Designed for use as a junction box and pull box in commercial and general industrial applications. Flush covers must be ordered separately for flush mount applications.

#### Finish

- ANSI-61 gray polyester powder inside and out over phosphatized surfaces
- Unpainted pre-galvanized steel

#### Accessories

- See accessories section.

#### Construction

- Fabricated from 16, 14 and 12 gauge steel or G-90 pre-galvanized steel (reference table)
- Flat, removable covers fastened with plated steel screws
- Cover design permits easy removal without extracting cover screws
- Mounting holes on back of box
- Available with or without knockouts. Removable concentric knockouts on all four sides of standard enclosures with knockouts



#### Optional Flush Covers

Designed to mount on enclosure for flush installations. 16 or 14 gauge steel (reference table).

- ANSI 61 gray polyester powder finish.
- Unpainted pre-galvanized steel

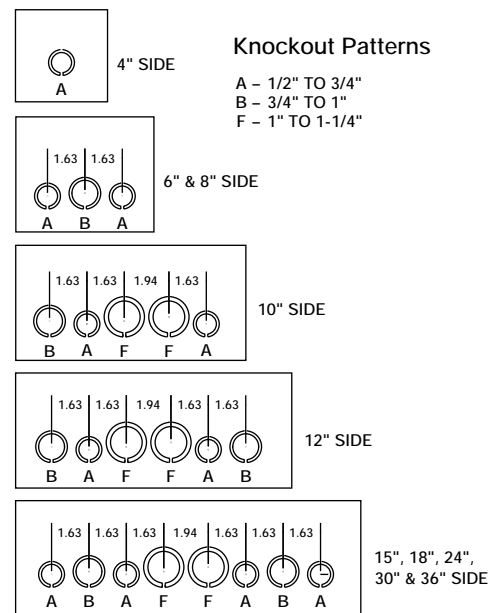
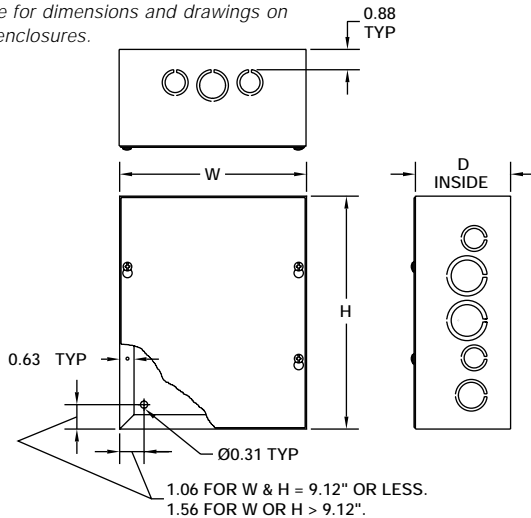
SC SERIES SCREW COVER PULL BOX ENCLOSURES								
CATALOG NUMBER				BODY/DOOR STEEL GAUGE	FLUSH COVER AVAILABLE (SEE PG. A5)	ENCLOSURE SIZE H x W x D	KNOCKOUT PATTERN	
PAINTED		GALVANIZED					WIDTH SIDE	HEIGHT SIDE
W/KNOCKOUTS	W/O KNOCKOUTS	W/KNOCKOUTS	W/O KNOCKOUTS					
SC040404*	SC040404NK*	SC040404G*	SC040404GNK*	16/16	Yes	4.00x4.00x4.00 (102x102x102)	A	A
SC040604*	SC040604NK*	SC040604G*	SC040604GNK*	16/16	Yes	6.00x4.00x4.00 (152x102x102)	A	A-B-A
SC060604	SC060604NK	SC060604G	SC060604GNK	16/16	Yes	6.00x6.00x4.00 (152x152x102)	A-B-A	A-B-A
SC060804	SC060804NK	SC060804G	SC060804GNK	16/16	Yes	8.00x6.00x4.00 (203x152x102)	A-B-A	A-B-A
SC061204	SC061204NK	SC061204G	SC061204GNK	16/16	Yes	12.00x6.00x4.00 (305x152x102)	A-B-A	B-A-F-F-A-B
SC080804	SC080804NK	SC080804G	SC080804GNK	16/16	Yes	8.00x8.00x4.00 (203x203x102)	A-B-A	A-B-A
SC081004	SC081004NK	SC081004G	SC081004GNK	16/16	Yes	10.00x8.00x4.00 (254x203x102)	A-B-A	B-A-F-F-A
SC081204	SC081204NK	SC081204G	SC081204GNK	16/16	Yes	12.00x8.00x4.00 (305x203x102)	A-B-A	B-A-F-F-A-B
SC101004	SC101004NK	SC101004G	SC101004GNK	16/16	Yes	10.00x10.00x4.00 (254x254x102)	B-A-F-F-A	B-A-F-F-A
SC101204	SC101204NK	SC101204G	SC101204GNK	16/16	Yes	12.00x10.00x4.00 (305x254x102)	B-A-F-F-A	B-A-F-F-A-B
SC121204	SC121204NK	SC121204G	SC121204GNK	16/16	Yes	12.00x12.00x4.00 (305x305x102)	B-A-F-F-A-B	B-A-F-F-A-B
SC121504	SC121504NK	SC121504G	SC121504GNK	16/16	Yes	15.00x12.00x4.00 (381x305x102)	B-A-F-F-A-B	A-B-A-F-F-A-B-A

SC SERIES SCREW COVER PULL BOX ENCLOSURES (CONT.)								
CATALOG NUMBER				BODY/DOOR STEEL GAUGE	FLUSH COVER AVAILABLE (SEE PG. A5)	ENCLOSURE SIZE H x W x D	KNOCKOUT PATTERN	
PAINTED		GALVANIZED					WIDTH SIDE	HEIGHT SIDE
W/KNOCKOUTS	W/O KNOCKOUTS	W/KNOCKOUTS	W/O KNOCKOUTS					
SC121804	SC121804NK	SC121804G	SC121804GNK	16/16	Yes	18.00x12.00x4.00 (457x305x102)	B-A-F-F-A-B	A-B-A-F-F-A-B-A
SC122404	SC122404NK	SC122404G	SC122404GNK	16/16	Yes	24.00x12.00x4.00 (610x305x102)	B-A-F-F-A-B	A-B-A-F-F-A-B-A
SC151504	SC151504NK	SC151504G	SC151504GNK	16/16	Yes	15.00x15.00x4.00 (381x381x102)	A-B-A-F-F-A-B-A	A-B-A-F-F-A-B-A
SC151804	SC151804NK	SC151804G	SC151804GNK	16/16	Yes	18.00x15.00x4.00 (457x381x102)	A-B-A-F-F-A-B-A	A-B-A-F-F-A-B-A
SC181804	SC181804NK	SC181804G	SC181804GNK	16/16	Yes	18.00x18.00x4.00 (457x457x102)	A-B-A-F-F-A-B-A	A-B-A-F-F-A-B-A
SC182404	SC182404NK	SC182404G	SC182404GNK	16/16	Yes	24.00x18.00x4.00 (610x457x102)	A-B-A-F-F-A-B-A	A-B-A-F-F-A-B-A
SC183004	SC183004NK	SC183004G	SC183004GNK	16/16	Yes	30.00x18.00x4.00 (762x457x102)	A-B-A-F-F-A-B-A	A-B-A-F-F-A-B-A
SC242404	SC242404NK	SC242404G	SC242404GNK	14/14	Yes	24.00x24.00x4.00 (610x610x102)	A-B-A-F-F-A-B-A	A-B-A-F-F-A-B-A
SC060606	SC060606NK	SC060606G	SC060606GNK	16/16	Yes	6.00x6.00x6.00 (152x152x152)	A-B-A	A-B-A
SC060806	SC060806NK	SC060806G	SC060806GNK	16/16	Yes	8.00x6.00x6.00 (203x152x152)	A-B-A	A-B-A
SC061206	SC061206NK	SC061206G	SC061206GNK	16/16	Yes	12.00x6.00x6.00 (305x152x152)	A-B-A	B-A-F-F-A-B
SC080806	SC080806NK	SC080806G	SC080806GNK	16/16	Yes	8.00x8.00x6.00 (203x203x152)	A-B-A	A-B-A
SC081006	SC081006NK	SC081006G	SC081006GNK	16/16	Yes	10.00x8.00x6.00 (254x203x152)	A-B-A	B-A-F-F-A
SC081206	SC081206NK	SC081206G	SC081206GNK	16/16	Yes	12.00x8.00x6.00 (305x203x152)	A-B-A	B-A-F-F-A-B
SC101006	SC101006NK	SC101006G	SC101006GNK	16/16	Yes	10.00x10.00x6.00 (254x254x152)	B-A-F-F-A	B-A-F-F-A
SC101206	SC101206NK	SC101206G	SC101206GNK	16/16	Yes	12.00x10.00x6.00 (305x254x152)	B-A-F-F-A	B-A-F-F-A-B
SC121206	SC121206NK	SC121206G	SC121206GNK	16/16	Yes	12.00x12.00x6.00 (305x305x152)	B-A-F-F-A-B	B-A-F-F-A-B
SC121506	SC121506NK	SC121506G	SC121506GNK	16/16	Yes	15.00x12.00x6.00 (381x305x152)	B-A-F-F-A-B	A-B-A-F-F-A-B-A
SC121806	SC121806NK	SC121806G	SC121806GNK	16/16	Yes	18.00x12.00x6.00 (457x305x152)	B-A-F-F-A-B	A-B-A-F-F-A-B-A
SC122406	SC122406NK	SC122406G	SC122406GNK	16/16	Yes	24.00x12.00x6.00 (610x305x152)	B-A-F-F-A-B	A-B-A-F-F-A-B-A

\*Not UL Listed.

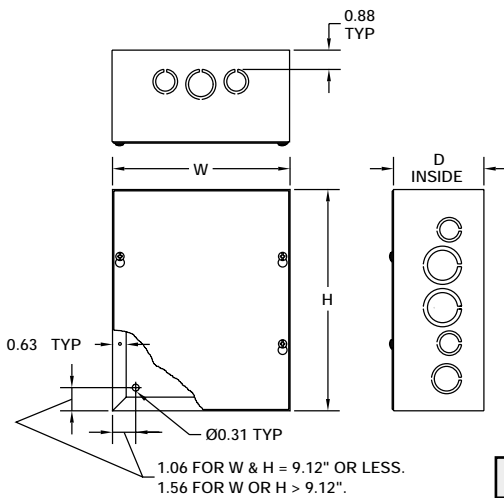
Note: Must specify CSA Label when ordering.

Consult our sales office for dimensions and drawings on 8", 10" and 12" deep enclosures.



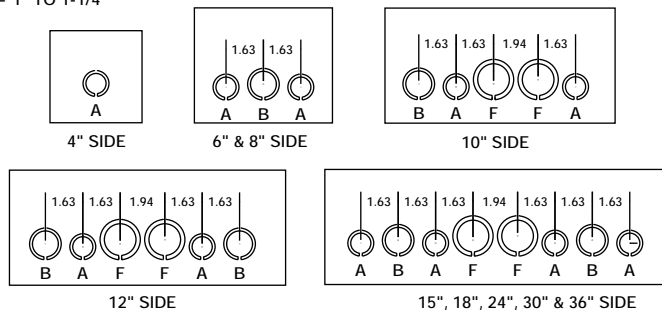
SC SERIES SCREW COVER PULL BOX ENCLOSURES (CONT.)								
CATALOG NUMBER				BODY/DOOR STEEL GAUGE	FLUSH COVER AVAILABLE (SEE PG. A5)	ENCLOSURE SIZE H x W x D	KNOCKOUT PATTERN	
PAINTED		GALVANIZED					WIDTH SIDE	HEIGHT SIDE
W/KNOCKOUTS	W/O KNOCKOUTS	W/KNOCKOUTS	W/O KNOCKOUTS					
SC151506	SC151506NK	SC151506G	SC151506GNK	16/16	Yes	15.00x15.00x6.00 (381x381x152)	A-B-A-F-F-A-B-A	A-B-A-F-F-A-B-A
SC151806	SC151806NK	SC151806G	SC151806GNK	16/16	Yes	18.00x15.00x6.00 (457x381x152)	A-B-A-F-F-A-B-A	A-B-A-F-F-A-B-A
SC181806	SC181806NK	SC181806G	SC181806GNK	16/16	Yes	18.00x18.00x6.00 (457x457x152)	A-B-A-F-F-A-B-A	A-B-A-F-F-A-B-A
SC182406	SC182406NK	SC182406G	SC182406GNK	16/16	Yes	24.00x18.00x6.00 (610x457x152)	A-B-A-F-F-A-B-A	A-B-A-F-F-A-B-A
SC242406	SC242406NK	SC242406G	SC242406GNK	14/14	Yes	24.00x24.00x6.00 (610x610x152)	A-B-A-F-F-A-B-A	A-B-A-F-F-A-B-A
SC243006	SC243006NK	SC243006G	SC243006GNK	14/14	No	30.00x24.00x6.00 (762x610x152)	A-B-A-F-F-A-B-A	A-B-A-F-F-A-B-A
SC080808	SC080808NK	SC080808G	SC080808GNK	16/16	Yes	8.00x8.00x8.00 (203x203x203)	A-B-A	A-B-A
SC121208	SC121208NK	SC121208G	SC121208GNK	16/16	Yes	12.00x12.00x8.00 (305x305x203)	B-A-F-F-A-B	B-A-F-F-A-B
SC121608	SC121608NK	SC121608G	SC121608GNK	16/16	No	16.00x12.00x8.00 (406x305x203)	B-A-F-F-A-B	A-B-A-F-F-A-B-A
SC121808	SC121808NK	SC121808G	SC121808GNK	16/16	Yes	18.00x12.00x8.00 (457x305x203)	B-A-F-F-A-B	A-B-A-F-F-A-B-A
SC122408	SC122408NK	SC122408G	SC122408GNK	16/16	Yes	24.00x12.00x8.00 (610x305x203)	B-A-F-F-A-B	A-B-A-F-F-A-B-A
SC181808	SC181808NK	SC181808G	SC181808GNK	16/16	Yes	18.00x18.00x8.00 (457x457x203)	A-B-A-F-F-A-B-A	A-B-A-F-F-A-B-A
SC182408	SC182408NK	SC182408G	SC182408GNK	16/16	Yes	24.00x18.00x8.00 (610x457x203)	A-B-A-F-F-A-B-A	A-B-A-F-F-A-B-A
SC242408	SC242408NK	SC242408G	SC242408GNK	14/14	Yes	24.00x24.00x8.00 (610x610x203)	A-B-A-F-F-A-B-A	A-B-A-F-F-A-B-A
SC243008	SC243008NK	SC243008G	SC243008GNK	14/14	No	30.00x24.00x8.00 (762x610x203)	A-B-A-F-F-A-B-A	A-B-A-F-F-A-B-A
SC243608	SC243608NK	SC243608G	SC243608GNK	14/14	No	36.00x24.00x8.00 (914x610x203)	A-B-A-F-F-A-B-A	A-B-A-F-F-A-B-A
SC303008	SC303008NK	SC303008G	SC303008GNK	12/12	No	30.00x30.00x8.00 (762x762x203)	A-B-A-F-F-A-B-A	A-B-A-F-F-A-B-A
SC303608	SC303608NK	SC303608G	SC303608GNK	12/12	No	36.00x30.00x8.00 (914x762x203)	A-B-A-F-F-A-B-A	A-B-A-F-F-A-B-A
SC363608	SC363608NK	SC363608G	SC363608GNK	12/12	No	36.00x36.00x8.00 (914x914x203)	A-B-A-F-F-A-B-A	A-B-A-F-F-A-B-A
SC121210	SC121210NK	SC121210G	SC121210GNK	16/16	Yes	12.00x12.00x10.00 (305x305x254)	B-A-F-F-A-B	B-A-F-F-A-B
SC121810	SC121810NK	SC121810G	SC121810GNK	16/16	Yes	18.00x12.00x10.00 (457x305x254)	B-A-F-F-A-B	A-B-A-F-F-A-B-A
SC122410	SC122410NK	SC122410G	SC122410GNK	16/16	Yes	24.00x12.00x10.00 (610x305x254)	B-A-F-F-A-B	A-B-A-F-F-A-B-A
SC181810	SC181810NK	SC181810G	SC181810GNK	16/16	Yes	18.00x18.00x10.00 (457x457x254)	A-B-A-F-F-A-B-A	A-B-A-F-F-A-B-A
SC182410	SC182410NK	SC182410G	SC182410GNK	16/16	Yes	24.00x18.00x10.00 (610x457x254)	A-B-A-F-F-A-B-A	A-B-A-F-F-A-B-A
SC242410	SC242410NK	SC242410G	SC242410GNK	14/14	Yes	24.00x24.00x10.00 (610x610x254)	A-B-A-F-F-A-B-A	A-B-A-F-F-A-B-A
SC243010	SC243010NK	SC243010G	SC243010GNK	14/14	No	30.00x24.00x10.00 (762x610x254)	A-B-A-F-F-A-B-A	A-B-A-F-F-A-B-A
SC303010	SC303010NK	SC303010G	SC303010GNK	12/12	No	30.00x30.00x10.00 (762x762x254)	A-B-A-F-F-A-B-A	A-B-A-F-F-A-B-A
SC303610	SC303610NK	SC303610G	SC303610GNK	12/12	No	36.00x30.00x10.00 (914x762x254)	A-B-A-F-F-A-B-A	A-B-A-F-F-A-B-A
SC243610	SC243610NK	SC243610G	SC243610GNK	14/14	No	36.00x24.00x10.00 (914x610x254)	A-B-A-F-F-A-B-A	A-B-A-F-F-A-B-A
SC363610	SC363610NK	SC363610G	SC363610GNK	12/12	No	36.00x36.00x10.00 (914x914x254)	A-B-A-F-F-A-B-A	A-B-A-F-F-A-B-A
SC121212	SC121212NK	SC121212G	SC121212GNK	16/16	Yes	12.00x12.00x12.00 (305x305x305)	B-A-F-F-A-B	B-A-F-F-A-B

SC SERIES SCREW COVER PULL BOX ENCLOSURES (CONT.)								
CATALOG NUMBER				BODY/DOOR STEEL GAUGE	FLUSH COVER AVAILABLE (SEE BELOW)	ENCLOSURE SIZE H x W x D	KNOCKOUT PATTERN	
PAINTED		GALVANIZED					WIDTH SIDE	HEIGHT SIDE
W/KNOCKOUTS	W/O KNOCKOUTS	W/KNOCKOUTS	W/O KNOCKOUTS					
SC122412	SC122412NK	SC122412G	SC122412GNK	16/16	Yes	24.00x12.00x12.00 (610x305x305)	B-A-F-F-A-B	A-B-A-F-F-A-B-A
SC181812	SC181812NK	SC181812G	SC181812GNK	16/16	Yes	18.00x18.00x12.00 (457x457x305)	A-B-A-F-F-A-B-A	A-B-A-F-F-A-B-A
SC182412	SC182412NK	SC182412G	SC182412GNK	16/16	Yes	24.00x18.00x12.00 (610x457x305)	A-B-A-F-F-A-B-A	A-B-A-F-F-A-B-A
SC242412	SC242412NK	SC242412G	SC242412GNK	14/14	Yes	24.00x24.00x12.00 (610x610x305)	A-B-A-F-F-A-B-A	A-B-A-F-F-A-B-A
SC243012	SC243012NK	SC243012G	SC243012GNK	14/14	No	30.00x24.00x12.00 (762x610x305)	A-B-A-F-F-A-B-A	A-B-A-F-F-A-B-A
SC243612	SC243612NK	SC243612G	SC243612GNK	14/14	No	36.00x24.00x12.00 (914x610x305)	A-B-A-F-F-A-B-A	A-B-A-F-F-A-B-A
SC303012	SC303012NK	SC303012G	SC303012GNK	12/12	No	30.00x30.00x12.00 (762x762x305)	A-B-A-F-F-A-B-A	A-B-A-F-F-A-B-A
SC303612	SC303612NK	SC303612G	SC303612GNK	12/12	No	36.00x30.00x12.00 (914x762x305)	A-B-A-F-F-A-B-A	A-B-A-F-F-A-B-A
SC363612	SC363612NK	SC363612G	SC363612GNK	12/12	No	36.00x36.00x12.00 (914x914x305)	A-B-A-F-F-A-B-A	A-B-A-F-F-A-B-A



### Knockout Patterns

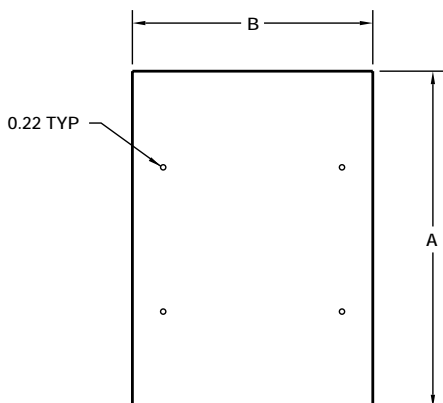
- A - 1/2" TO 3/4"
- B - 3/4" TO 1"
- F - 1" TO 1-1/4"



\*Not UL Listed.

Note: Must specify CSA Label when ordering. Consult our sales office for dimensions and drawings on 8", 10" and 12" deep enclosures.

### Flush Covers



SCF SERIES FLUSH COVERS			
CATALOG NUMBER		FLUSH COVER SIZE A X B	FOR BOX SIZE H X W
PAINTED	GALVANIZED		
SCF0404	SCF0404G	6.00x6.00 (152x152)	4.00x4.00 (102x102)
SCF0406	SCF0406G	8.00x6.00 (203x152)	4.00x4.00 (102x102)
SCF0606	SCG0606G	8.00x8.00 (203x203)	6.00x6.00 (152x152)
SCF0608	SCF0608G	10.00x8.00 (254x203)	8.00x6.00 (203x152)
SCF0612	SCF0612G	14.00x8.00 (356x203)	12.00x6.00 (305x152)
SCF0808	SCF0808G	10.00x10.00 (254x254)	8.00x8.00 (203x203)
SCF0810	SCF0810G	12.00x10.00 (305x254)	10.00x8.00 (254x203)
SCF0812	SCF0812G	14.00x10.00 (356x254)	12.00x8.00 (305x203)
SCF1010	SCF1010G	12.00x12.00 (305x305)	10.00x10.00 (254x254)
SCF1012	SCF1012G	14.00x12.00 (356x305)	12.00x10.00 (305x254)
SCF1212	SCF1212G	14.00x14.00 (356x356)	12.00x12.00 (305x305)
SCF1215	SCF1215G	17.00x14.00 (432x356)	15.00x12.00 (381x305)
SCF1216	SCF1216G	18.00x14.00 (457x356)	16.00x12.00 (406x305)
SCF1218	SCF1218G	20.00x14.00 (508x356)	18.00x12.00 (457x305)
SCF1224	SCF1224G	26.00x14.00 (660x356)	24.00x12.00 (610x305)
SCF1515	SCF1515G	17.00x17.00 (432x432)	15.00x15.00 (381x381)
SCF1518	SCF1518G	20.00x17.00 (508x432)	18.00x15.00 (457x381)
SCF1616	SCF1616G	18.00x18.00 (457x457)	16.00x16.00 (406x406)
SCF1818	SCF1818G	20.00x20.00 (508x508)	18.00x18.00 (457x457)
SCF1824	SCF1824G	26.00x20.00 (660x508)	24.00x18.00 (610x457)
SCF1830	SCF1830G	32.00x20.00 (813x508)	30.00x18.00 (762x457)
SCF2424	SCF2424G	26.00x26.00 (660x660)	24.00x24.00 (610x610)