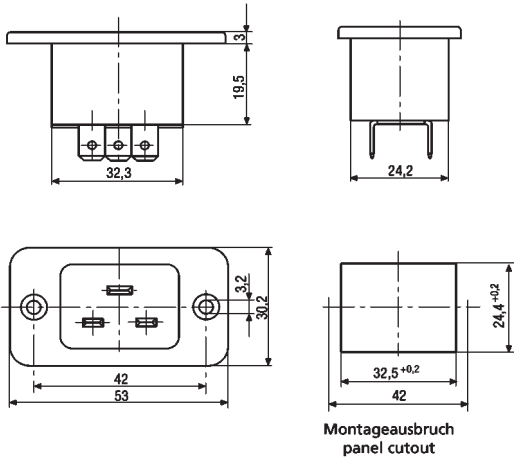


### Appliance Inlet T 70 °C

Catalog No. 1621X



Ordering Example: 1621X-AAA0-A-1

Line / Neutral / Ground  
 A = screw terminal  
 2 = short solder terminal (L = 4.8mm)  
 3 = long solder terminal (L = 8.5mm)  
 8 = blade terminal (4.8mm)  
 9 = blade terminal (6.3mm)

Color  
 A = black (RAL 9005)  
 B = grey (RAL 7001)  
 D = white (RAL 9010)

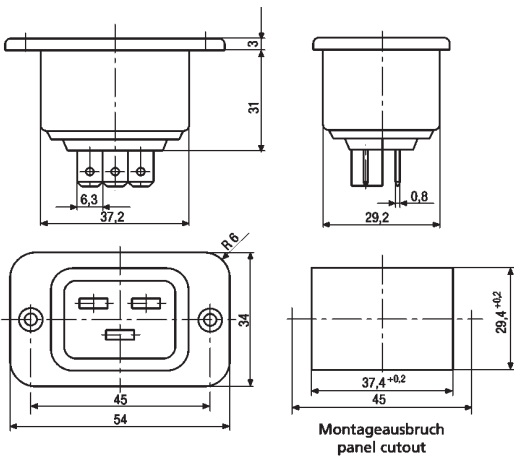
Design  
 1 = flange with countersunk holes  
 2 = flange with straight through holes



IEC 60320-1/C20  
 EN 60320-1/C20  
 VDE 0625-1/C20

### Appliance Outlet T 70 °C

Catalog No. 5016X



Ordering Example: 5016X-9990-A-1

Line / Neutral / Ground  
 9 = blade terminal (6.3mm)

Color  
 A = black (RAL 9005)  
 B = grey (RAL 7001)  
 D = white (RAL 9010)

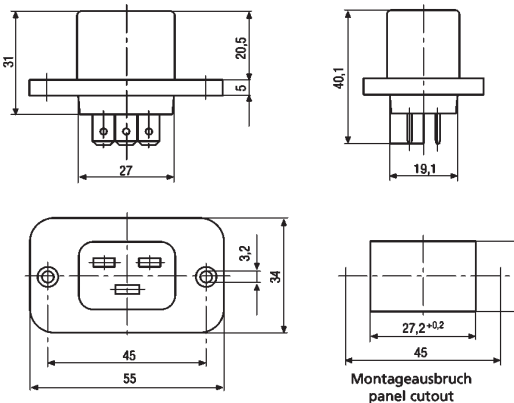
Design  
 1 = flange with countersunk holes  
 2 = flange with straight through holes



IEC 60320/C19  
 EN 60320/C19  
 VDE 0625/C19

### Appliance Outlet T 70 °C

Catalog No. 5017X

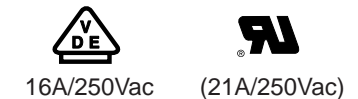


Ordering Example: 5017X-9990-A-1

Line / Neutral / Ground  
 9 = blade terminal (6.3mm)

Color  
 A = black (RAL 9005)  
 B = grey (RAL 7001)  
 D = white (RAL 9010)

Design  
 1 = flange with countersunk holes  
 2 = flange with straight through holes

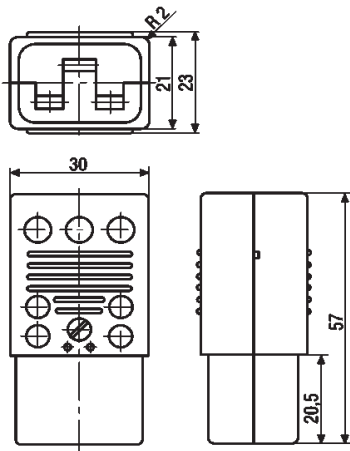


IEC 60320/C19  
 EN 60320/C19  
 VDE 0625/C19

Can also be used for direct power interconnection between two appliances without jumper cord.

### Rewirable Plug Connector T 70 °C

Catalog No. 106X



Ordering Example: 106X - AAA 0 - A - 8 1

Line / Neutral / Ground A = screw terminal
Color A = black (RAL 9005) B = grey (RAL 7001) D = white (RAL 9010)
Condition 1 = assembled 2 = disassembled



16A/250Vac

(21A/250Vac)

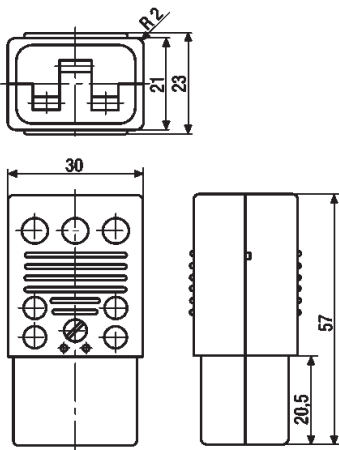


IEC 60320/C20  
EN 60320/C20  
VDE 0625/C20

European Approval markings only valid with PVC strain relief attached. Please request for PVC strain relief ordered separately.

### Rewirable Cord Connector T 70 °C

Catalog No. 104X



Ordering Example: 104X - AAA 0 - A - 8 1

Line / Neutral / Ground A = screw terminal
Color A = black (RAL 9005) B = grey (RAL 7001) D = white (RAL 9010)
Condition 1 = assembled 2 = disassembled



16A/250Vac

(21A/250Vac)

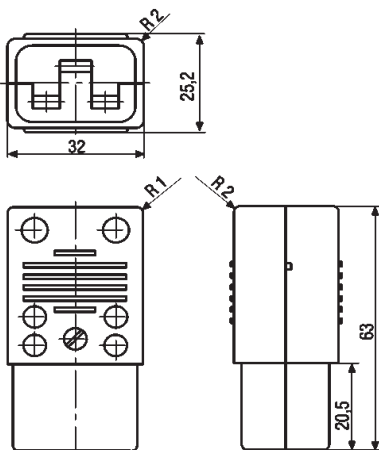


IEC 60320-1/C19  
EN 60320-1/C19  
VDE 0625-1/C19

European Approval markings only valid with PVC strain relief attached. Please request for PVC strain relief ordered separately.

### Rewirable Cord Connector T 70 °C

Catalog No. 104U



Ordering Example: 104U - AAA 0 - A - 8 1

Line / Neutral / Ground A = screw terminal
Color A = black (RAL 9005) B = grey (RAL 7001)
Condition 1 = assembled 2 = disassembled



(21A/250Vac)



UL 817  
CSA 22.2

Please request for PVC strain relief ordered separately.

For Cordage up to 3 x 14AWG