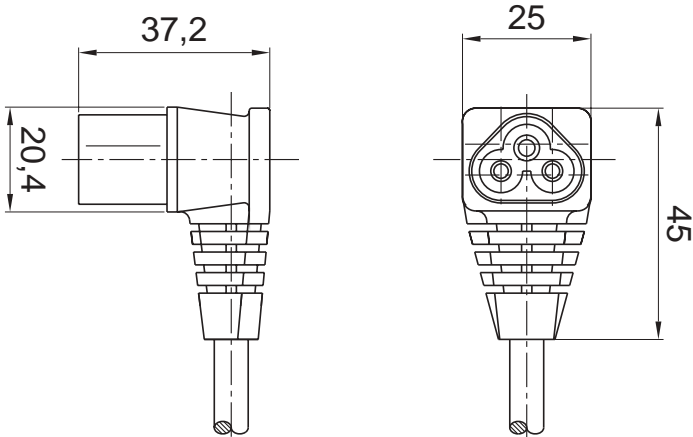


Grounded Plug Connector Side Cord Entry T 70°C



No. 2705 **A**



Geräteschutzklasse I / equipment class I
 IEC 320-2-2 / EN 60320-2-2 / VDE 0625-2-2



2,5A/250Vac



2,5A/250Vac



2,5A/250Vac

Ordering Example: 2 7 0 5 - 0 0 0 0 0 2 0 0 C A

Basic catalog number denotes standard version!

NOTE: 2nd end of standard version is stripped and not equipped with any connector!

Cord Length (mm)
 0200 = (standard)

Color
 A = black (RAL 9005) (standard)
 B = grey (RAL 7001)

Cable Type
 C = H03VV-F 3G0.75mm² (standard)
 G = H05VV-F 3G0.75mm²
 N = SVT 18/3
 P = SJT 18/3

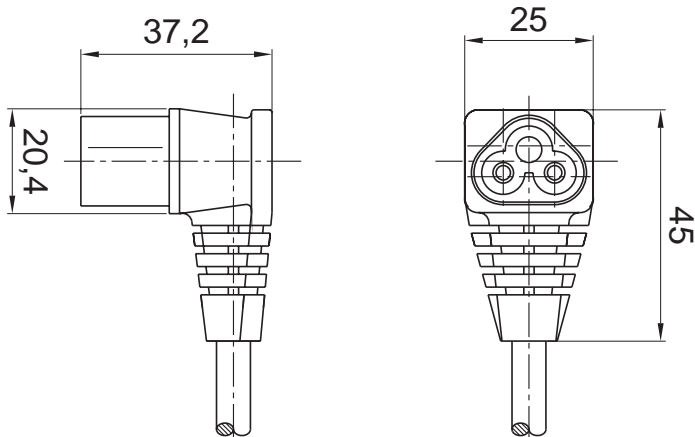
Usual Outlets:

No. 5888 **B**

Check the catalog no. of your choice to get specific informations on the product.



Non Grounded Plug Connector Side Cord Entry T 70°C



No. 2706



Geräteschutzklasse II / equipment class II
 Nicht genormte Ausführung / non-standard type



2,5A/250Vac



2,5A/250Vac



2,5A/250Vac

Ordering Example: 2 7 0 6 - 0 0 0 0 0 2 0 0 A A

Basic catalog number denotes standard version!

NOTE: 2nd end of standard version is stripped and not equipped with any connector!

Cord Length (mm)
 0200 = (standard)

Color
 A = black (RAL 9005) (standard)
 B = grey (RAL 7001)

Cable Type
 A = H03VV-F 2x0.75mm² (standard)
 B = H03VVH2-F 2x0.75mm²
 D = H05VV-F 2x0.75mm²
 E = H05VVH2-F 2x0.75mm²
 M = SVT 18/2

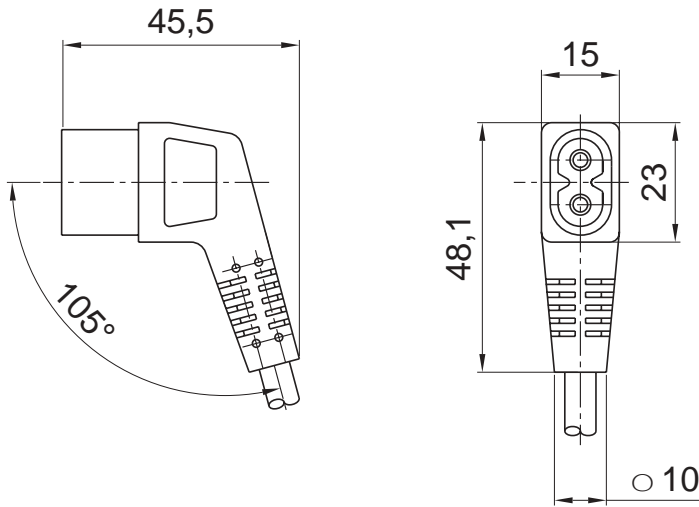
Usual Outlets:

No. 5888B

Check the catalog no. of your choice to get specific informations on the product.



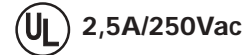
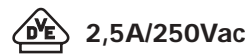
Non Grounded Plug Connector Side Cord Entry T 70°C



No. 2711 C



Geräteschutzklasse II / equipment class II
IEC 320-2-2 / EN 60320-2-2 / VDE 0625-2-2



Usual Connectors: No. 4810 C7 No. 2510 C7 No. 2511 C7

Check the catalog no. of your choice to get specific informations on the product.



Ordering Example: 2 7 1 1 - 2 5 1 0 0 2 0 0 A A

Basic catalog number denotes standard version!

Cord Length (mm)
0200 = (standard)

Color
A = black (RAL 9005) (standard)
B = grey (RAL 7001)

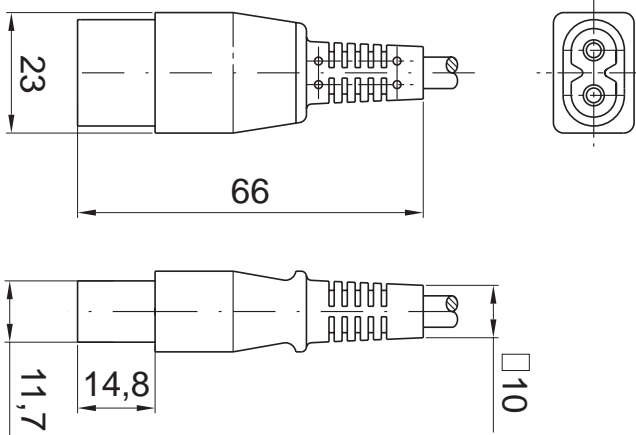
Cable Type
A = H03VV-F 2x0.75mm² (standard)
B = H03VVH2-F 2x0.75mm²
D = H05VV-F 2x0.75mm²
E = H05VVH2-F 2x0.75mm²
M = SVT 18/2

Usual Outlets: No. 5081 D No. 5082 D No. 5084 D No. 5086 D No. 5083 D No. 5088 D

Check the catalog no. of your choice to get specific informations on the product.



Non Grounded Plug Connector T 70°C



No. 2730 C



Geräteschutzklasse II / equipment class II
 IEC 320-2-2 / EN 60320-2-2 / VDE 0625-2-2



2,5A/250Vac



2,5A/250Vac



2,5A/250Vac

Usual Connectors: No. 4810 C7 No. 2510 C7 No. 2511 C7

Check the catalog no. of your choice to get specific informations on the product.



Ordering Example: **2 7 3 0 - 2 5 1 0 0 2 0 0 A A**

Basic catalog number denotes standard version!

Cord Length (mm)
 0200 = (standard)

Color
 A = black (RAL 9005) (standard)
 B = grey (RAL 7001)

Cable Type
 A = H03VV-F 2x0.75mm² (standard)
 B = H03VVH2-F 2x0.75mm²
 D = H05VV-F 2x0.75mm²
 E = H05VVH2-F 2x0.75mm²
 M = SVT 18/2

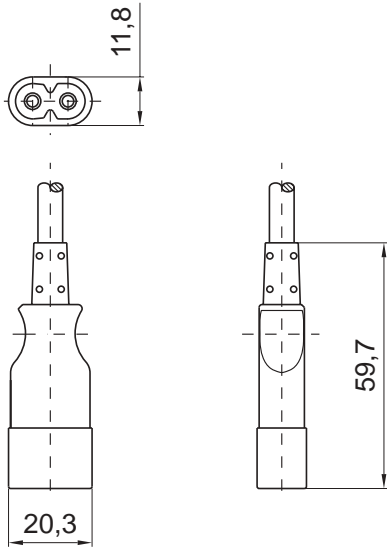
Usual Outlets: No. 5081 D No. 5082 D No. 5084 D No. 5086 D No. 5083 D No. 5088 D

Check the catalog no. of your choice to get specific informations on the product.



Non Grounded Plug Connector T 70°C

No. 2731 C



Geräteschutzklasse II / equipment class II
IEC 320-2-2 / EN 60320-2-2 / VDE 0625-2-2



2,5A/250Vac 2,5A/250Vac

Usual Connectors: No. 4810 C7 No. 2510 C7 No. 2511 C7

Check the catalog no. of your choice to get specific informations on the product.



Ordering Example: 2 7 3 1 - 2 5 1 0 0 2 0 0 A A

Basic catalog number denotes standard version!

Cord Length (mm)
0200 = (standard)

Color
A = black (RAL 9005) (standard)
B = grey (RAL 7001)

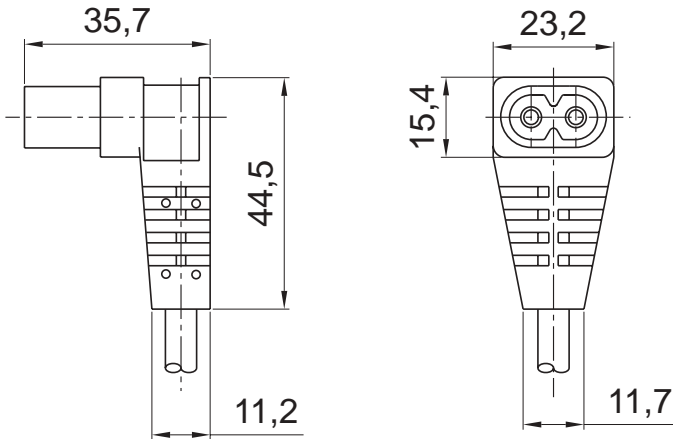
Cable Type
A = H03VV-F 2x0.75mm² (standard)
B = H03VVH2-F 2x0.75mm²
D = H05VV-F 2x0.75mm²
E = H05VVH2-F 2x0.75mm²
M = SVT 18/2

Usual Outlets: No. 5081 D No. 5082 D No. 5084 D No. 5086 D No. 5083 D No. 5088 D

Check the catalog no. of your choice to get specific informations on the product.



Non Grounded Plug Connector T 70°C



No. 2712 C



Geräteschutzklasse II / equipment class II
IEC 320-2-2 / EN 60320-2-2 / VDE 0625-2-2



Usual Connectors: No. 4810 C7 No. 2510 C7 No. 2511 C7

Check the catalog no. of your choice to get specific informations on the product.



Ordering Example: **2 7 1 2 - 2 5 1 0 0 2 0 0 A A**

Basic catalog number denotes standard version!

Cord Length (mm)
0200 = (standard)

Color
A = black (RAL 9005) (standard)
B = grey (RAL 7001)

Cable Type
A = H03VV-F 2x0.75mm² (standard)
B = H03VVH2-F 2x0.75mm²
D = H05VV-F 2x0.75mm²
E = H05VVH2-F 2x0.75mm²
M = SVT 18/2

Usual Outlets: No. 5081 D No. 5082 D No. 5084 D No. 5086 D No. 5083 D No. 5088 D

Check the catalog no. of your choice to get specific informations on the product.

