

### Features

- Wide range AC input
- Fully enclosed plastic case
- Fully regulated output
- High efficiency

### Environmental

- Operating temperature: 0°C to +40°C
- Storage temperature: -55°C to +85°C

### EMI

Meets FCC Class B, CISPR 22 Class B

### Safety

- UL UL1950
- cUL CSA 22.2 No. 950
- Nemko EN 60950
- CE Marked

**Polarity:** COM +V

### Electrical Specifications



#### Input

- Voltage ..... 100 - 240 VAC
- Current ..... *see below*
- Frequency ..... 47 - 63 Hz
- AC Cord ..... Optional (*available on request*)
- Input Connector ..... 3 Pin IEC 320 input receptacle

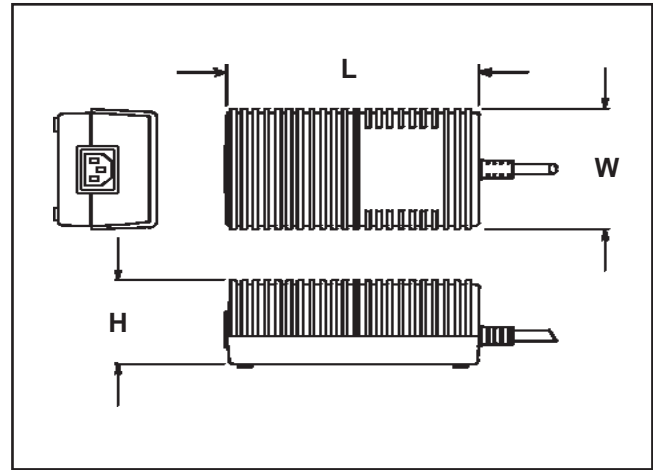
#### Output

- Line regulation ..... TYP ± 1%
- Load regulation ..... TYP ± 5%
- Set point ..... ± 3% at 60% load
- Hold up time ..... 20 ms min. at full load 115 VAC
- Over voltage protection .. Built-in
- Over current protection .. Built-in
- Short circuit protection ... Pulsing Mode, auto recovery
- Efficiency ..... 80% nominal at full load and 115 VAC (at 12 VDC and higher)
- Transient response ..... 2 ms for 50% load change typical
- Ripple/noise (V<sub>P-P</sub>) ..... ± 1% (20 MHz bandwidth)
- Output connector ..... barrel type (5.5 x 2.5 x 9.5)mm

Catalog No.	Vdc	Amps	Watts (max)	Input Current	Dimensions (L x W x H)	VPE/Pack	Wght/ea	EDP-No.
<b>FW1805-760</b>	5	3.00	15	0.5 Amp at 100 VAC	85.1 x 50.0 x 33.0	1 ea	320 g	<b>116749</b>
<b>FW1812-760</b>	12	1.50	18	0.5 Amp at 100 VAC	85.1 x 50.0 x 33.0	1 ea	320 g	<b>116750</b>
<b>FW1818-760</b>	18	1.00	18	0.5 Amp at 100 VAC	85.1 x 50.0 x 33.0	1 ea	320 g	<b>116751</b>
<b>FW1824-760</b>	24	0.75	18	0.5 Amp at 100 VAC	85.1 x 50.0 x 33.0	1 ea	320 g	<b>116752</b>
<b>FW3012-760</b>	12	2.50	30	1.0 Amp at 100 VAC	108.0 x 63.5 x 33.0	1 ea	320 g	<b>116753</b>
<b>FW3015-760</b>	15	2.00	30	1.0 Amp at 100 VAC	108.0 x 63.5 x 33.0	1 ea	320 g	<b>116754</b>
<b>FW3018-760</b>	18	1.67	30	1.0 Amp at 100 VAC	108.0 x 63.5 x 33.0	1 ea	320 g	<b>116755</b>
<b>FW3024-760</b>	24	1.25	30	1.0 Amp at 100 VAC	108.0 x 63.5 x 33.0	1 ea	320 g	<b>116756</b>
<b>FW5012-760</b>	12	4.15	50	1.0 Amp at 100 VAC	127.0 x 76.2 x 33.0	1 ea	365 g	<b>116757</b>
<b>FW5018-760</b>	18	2.75	50	1.0 Amp at 100 VAC	127.0 x 76.2 x 33.0	1 ea	365 g	<b>116758</b>
<b>FW5024-760</b>	24	2.10	50	1.0 Amp at 100 VAC	127.0 x 76.2 x 33.0	1 ea	365 g	<b>116759</b>



FW72



### Features

- Wide range AC input
- Fully enclosed plastic case
- Fully regulated output
- High efficiency

### Environmental

- Operating temperature: 0°C to +40°C
- Storage temperature: -55°C to +85°C

### EMI

Meets FCC Class B, CISPR 22 Class B

### Safety

- CSA Certified to CSA 950
- NRTL/C UL1950, CSA 950
- CE Marked

### Polarity:

1	2	3	4	5
Com	Com	+V	Com	+V



### Electrical Specifications



#### Input

- Voltage ..... 100 - 240 VAC
- Current ..... *see below*
- Frequency ..... 47 - 63 Hz
- AC Cord ..... Optional (*available on request*)
- Input Connector ..... 3 Pin IEC 320 input receptacle

#### Output

- Line regulation ..... TYP ± 1%
- Load regulation ..... TYP ± 5%
- Set point ..... ± 3% at 60% load
- Hold up time ..... 20 ms min. at full load 115 VAC
- Over voltage protection .. Built-in
- Over current protection .. Built-in
- Short circuit protection ... Pulsing Mode, auto recovery
- Efficiency ..... 80% nom. at full load and 115 VAC
- Transient response ..... 2 ms for 50% load change typical
- Ripple/noise (V<sub>P-P</sub>) ..... ± 1% (20 MHz bandwidth)
- Output connector ..... 5 pin DIN

Catalog No.	Vdc	Amps	Watts (max)	Input Current	Dimensions (L x W x H)	VPE/Pack	Wght/ea	EDP-No.
FW6012-D5	12	5.00	60	2.0 Amp at 100 VAC	165.1 x 97.8 x 66.0	1 ea	1135 g	116760
FW6024-D5	24	2.50	60	2.0 Amp at 100 VAC	165.1 x 97.8 x 66.0	1 ea	1135 g	116761
FW7212-D5	12	6.00	72	2.0 Amp at 100 VAC	165.1 x 97.8 x 66.0	1 ea	1135 g	116762
FW7224-D5	24	3.00	72	2.0 Amp at 100 VAC	165.1 x 97.8 x 66.0	1 ea	1135 g	116763
FW10012-D5	12	8.00	96	3.0 Amp at 100 VAC	165.1 x 97.8 x 66.0	1 ea	1135 g	116764
FW10024-D5	24	4.00	96	3.0 Amp at 100 VAC	165.1 x 97.8 x 66.0	1 ea	1135 g	116765