

## USA / Canada - Wall or Ceiling Mount EUROLUXE® Series


### APPLICATIONS

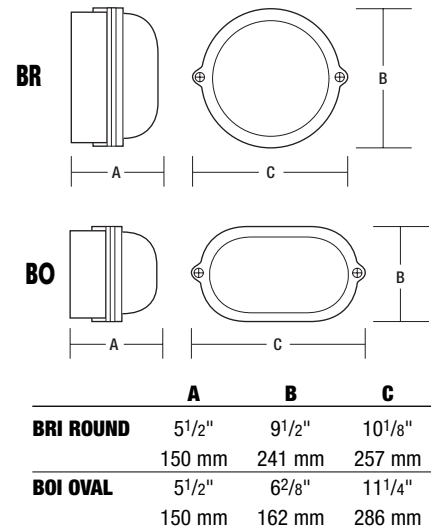
- Numerous colors and accessories, including guards and shields, are available for both interior and exterior applications.

### SPECIFICATIONS

- Borosilicate glass lens sealed to housing by silicone gasket and stainless steel philips head screws.
- Die cast aluminum housing and face trims. Two point lag or hickey mount to recessed junction box.
- Ribbed lens uniformly spreads light for a symmetrical, soft distribution.
- Available in 50 watt HPS, 28 watt fluorescent and 100 watt max. incandescent, 120 volt.
- Dark bronze, black and white finishes are standard.
- Lamp included on 50W HPS and 28W fluorescent.

### LISTINGS

- CSA certified TO UL 1598 for use in wet locations. 



## ORDERING INFORMATION

### ORDERING EXAMPLE



Catalog Number	Shape	Finish	Wattage	Weight	
				lbs.	kg
<b>INCANDESCENT<sup>2</sup></b>					
<b>BRI-01</b>	Round	Bronze	100 max.	4.0	1.8
<b>BRI-02</b>	Round	Black	100 max.	4.0	1.8
<b>BRI-04</b>	Round	White	100 max.	4.0	1.8
<b>BOI-01</b>	Oval	Bronze	100 max.	3.5	1.6
<b>BOI-02</b>	Oval	Black	100 max.	3.5	1.6
<b>BOI-04</b>	Oval	White	100 max.	3.5	1.6
<b>HIGH PRESSURE SODIUM (lamp included)<sup>2</sup></b>					
<b>BRS-01</b>	Round	Bronze	50	7.5	3.4
<b>BRS-02</b>	Round	Black	50	7.5	3.4
<b>BRS-04</b>	Round	White	50	7.5	3.4
<b>BOS-01</b>	Oval	Bronze	50	7.0	3.2
<b>BOS-02</b>	Oval	Black	50	7.0	3.2
<b>BOS-04</b>	Oval	White	50	7.0	3.2
<b>FLUORESCENT (lamp included)<sup>1,3</sup></b>					
<b>BRF-01</b>	Round	Bronze	28	6.0	2.7
<b>BRF-02</b>	Round	Black	28	6.0	2.7
<b>BRF-04</b>	Round	White	28	6.0	2.7
<b>BOF-01</b>	Oval	Bronze	28	5.5	2.5
<b>BOF-02</b>	Oval	Black	28	5.5	2.5
<b>BOF-04</b>	Oval	White	28	5.5	2.5

<sup>1</sup> Fluorescent CSA certified for outdoor applications only, not available in 277V.

<sup>2</sup> Pulse rated medium base socket.

<sup>3</sup> Two-pin fluorescent socket - PLC type.

### ACCESSORIES

(order as separate part #)

Catalog Number	Description
<b>BO-GX<sup>1</sup></b>	Cast aluminum guard for oval fixture
<b>BR-GX<sup>1</sup></b>	Cast aluminum guard for round fixture
<b>BO-SX<sup>1</sup></b>	Cast aluminum shield for oval fixture
<b>BR-SX<sup>1</sup></b>	Cast aluminum shield for round fixture

<sup>1</sup> Finish must be specified, bronze and white are stock, substitute X for: 1-bronze, 2-black, 3-gray, 4-white, 6-beige, 7-green



# INSTALLATION INSTRUCTIONS FOR EUROLUXE



See warnings on carton

## WARNINGS:

- Disconnect power before installation or servicing.
- Install, operate and maintain to meet all applicable codes.
- Labeled ballast voltage must match supply voltage.
- Protect all wiring connections with approved insulators (not included).

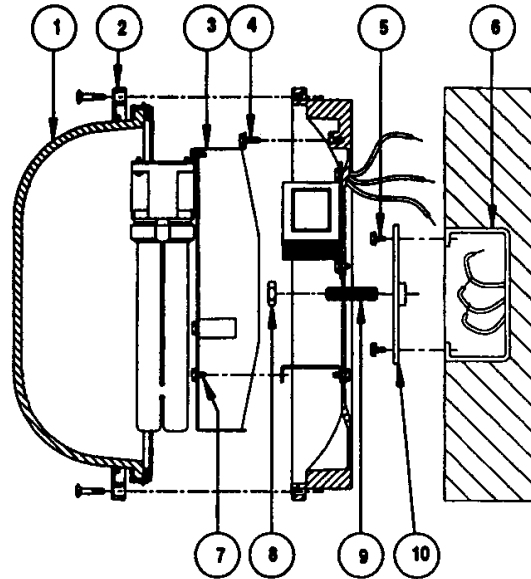
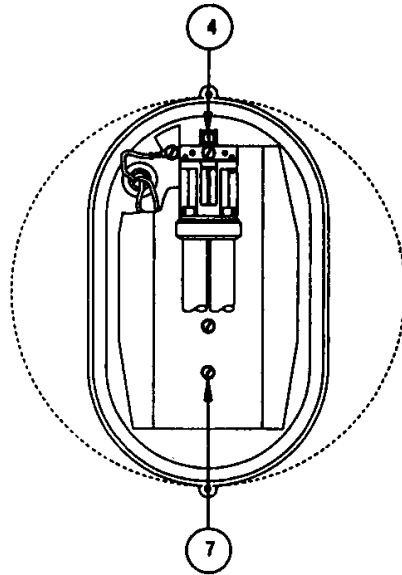
## GENERAL INFORMATION:

- Allow six inches minimum supply wire outside of junction box.
- For outdoor applications, provide a weathertight seal between the fixture housing and the building structure using an approved U.V. stable silicone sealer.

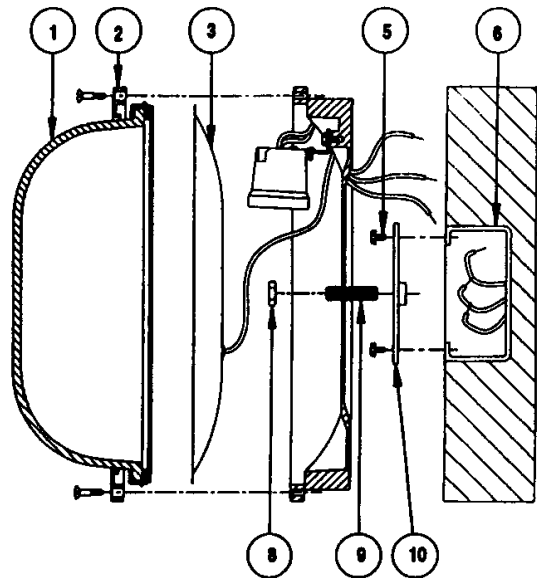
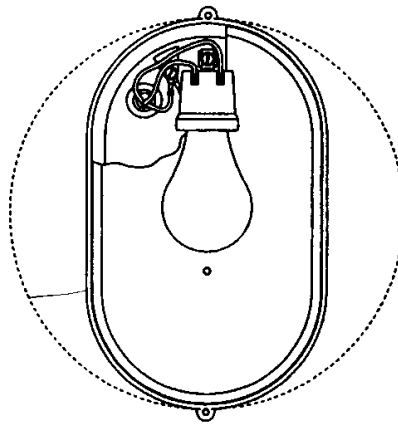
## MOUNTING INSTRUCTIONS

1. Attach mounting bracket (10) to existing junction box (6) with two screws (5).
2. Install threaded pipe (9) in mounting bracket.
3. Remove lens ring (2) and lens (1).
4. Remove lamp (if installed).
5. Fluorescent and HPS units only: Remove ballast cover screws (4) and (7).
6. Lift reflector (3) or ballast cover (3) to one side.
7. Make wiring connections in accordance with applicable codes.
8. Push wires and insulators into junction box.
9. Attach fixture to threaded pipe with pipe nut (8).
10. Adjust threaded pipe into junction box. Allow just enough room for re-installation of reflector/ballast cover.
11. Tighten pipe nut.
12. Reinstall reflector or ballast cover. Do not pinch wires.
13. Install lamp.
14. Reinstall lens and lens ring.

**BOF/BRF**  
FLUORESCENT SERIES



**BOI/BRI**  
INCANDESCENT SERIES



**BOS/BRS**  
H.P.S. SERIES

