

Industrial Control Transformers

HSZ Series Industrial Control Transformers

The HSZ series of industrial control transformers are designed for applications requiring special mounting and are available in ratings from 1 through 10 KVA.

Features

- UL Class 180°C insulation system, 80°C temperature rise under full load
- Meets or exceeds NEMA regulation standards
- Copper magnet wire windings
- Encapsulated

Available styles:

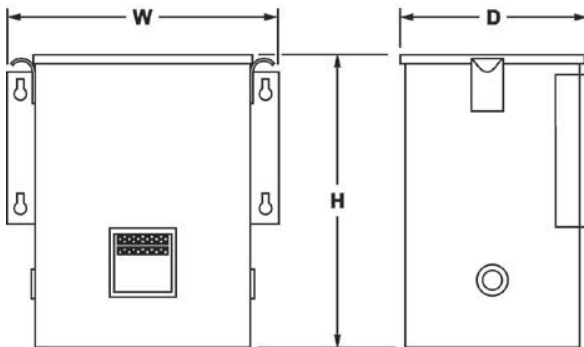
- NEMA 3R (rain proof)
- NEMA 4 (dust proof)
- NEMA 4X (corrosion proof)
- NEMA 12 (wash down & dust proof)



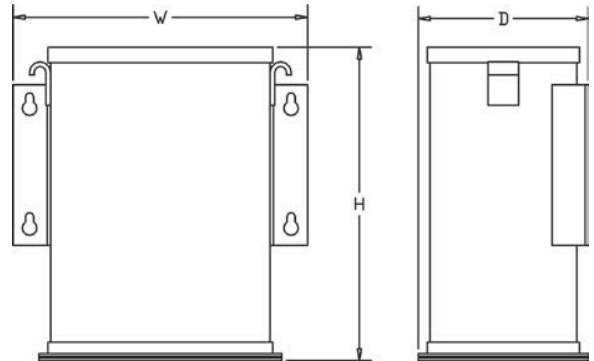
Related Products

- Linear Power Supplies
- DIN Rail DC Power Supplies
- Constant Voltage Transformers
- Line Reactors

HSZ Design Style 1 - NEMA 3R



HSZ Design Style 2 - NEMA 12, NEMA 4, NEMA 4X

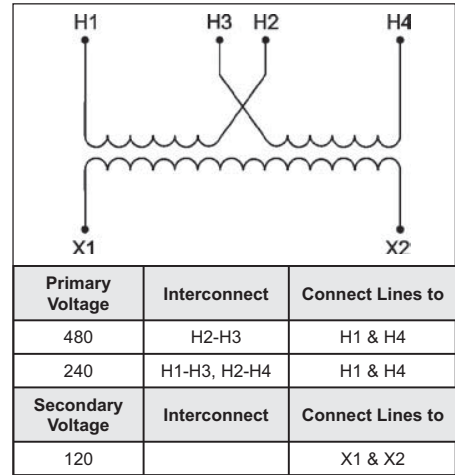


Industrial Control Transformers

HSZ Series Selection Tables and Electrical Connections

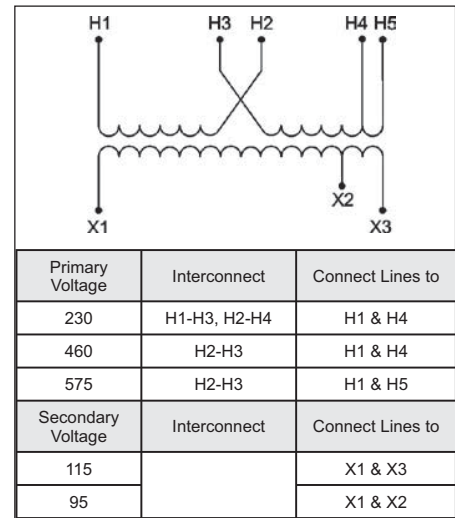
Group 1 – 240/480, 230/460, 220/440 Volt Primary, 120/115/110 Volt Secondary, 50/60 Hz.

KVA	Catalog Number NEMA-3R	Catalog Number NEMA-4/12	Catalog Number NEMA-4X	Height (inch)	Width (inch)	Depth (inch)	Approx. Ship Weight (lbs)
1	HZ1000	HZ121000	HZ10004X	12	10	7	43
1.5	HZ1500	HZ121500	HZ15004X	12	10	7	55
2	HZ2000	HZ122000	HZ20004X	12	10	7	68
3	HZ3000	HZ123000	HZ30004X	17	14	9	108
5	HZ5000	HZ125000	HZ50004X	17	14	9	138
7.5	HZ7500	HZ127500	HZ75004X	17	14	9	173
10	HZ10000	HZ1210000	HZ100004X	17	17	12	210



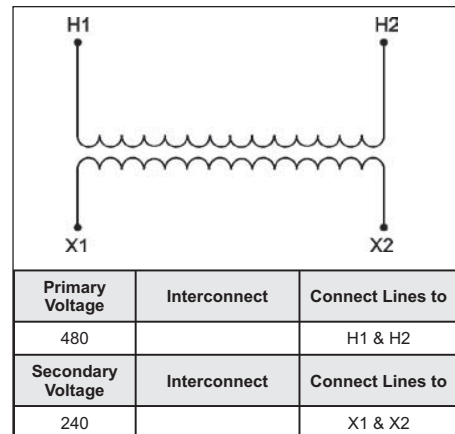
Group 2 – 230/460/575 Volt Primary, 115/95 Volt Secondary, 50/60 Hz.

KVA	Catalog Number NEMA-3R	Catalog Number NEMA-4/12	Catalog Number NEMA-4X	Height (inch)	Width (inch)	Depth (inch)	Approx. Ship Weight (lbs)
1	HZ1000A	HZ121000A	HZ1000A4X	12	10	7	43
1.5	HZ1500A	HZ121500A	HZ1500A4X	12	10	7	55
2	HZ2000A	HZ122000A	HZ2000A4X	12	10	7	68
3	HZ3000A	HZ123000A	HZ3000A4X	17	14	9	108
5	HZ5000A	HZ125000A	HZ5000A4X	17	14	9	138
7.5	HZ7500A	HZ127500A	HZ7500A4X	17	14	9	173
10	HZ10000A	HZ1210000A	HZ10000A4X	17	17	12	210



Group 3 – 480 Volt Primary, 240 Volt Secondary, 50/60 Hz.

KVA	Catalog Number NEMA-3R	Catalog Number NEMA-4/12	Catalog Number NEMA-4X	Height (inch)	Width (inch)	Depth (inch)	Approx. Ship Weight (lbs)
1	HZ1000R	HZ121000R	HZ1000R4X	12	10	7	43
1.5	HZ1500R	HZ121500R	HZ1500R4X	12	10	7	55
2	HZ2000R	HZ122000R	HZ2000R4X	12	10	7	68
3	HZ3000R	HZ123000R	HZ3000R4X	17	14	9	108
5	HZ5000R	HZ125000R	HZ5000R4X	17	14	9	138
7.5	HZ7500R	HZ127500R	HZ7500R4X	17	14	9	173
10	HZ10000R	HZ1210000R	HZ10000R4X	17	17	12	210



Note: Contact Technical Services for lead times on enclosures.