

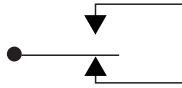
## Precision Limit Switches, BZE/DTE Series E6/V6 Maintained contact (reset) switches

The switches shown below provide maintained contact after the operating force on either top or bottom plunger is released.

Note: The top plungers on these switches provide more accurate and uniform operation than the "reset" plungers and should be used when closely held operating characteristics are required.

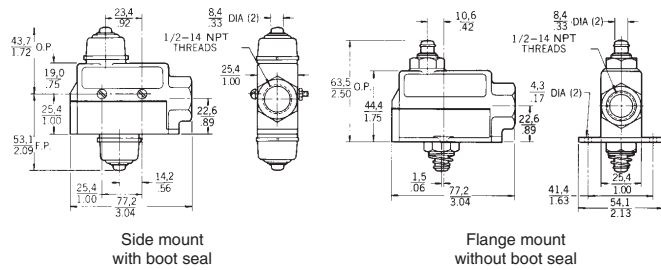
**Switching:**  
SPDT

Single Pole, Double Throw  
(1NC/1NO) Maintained

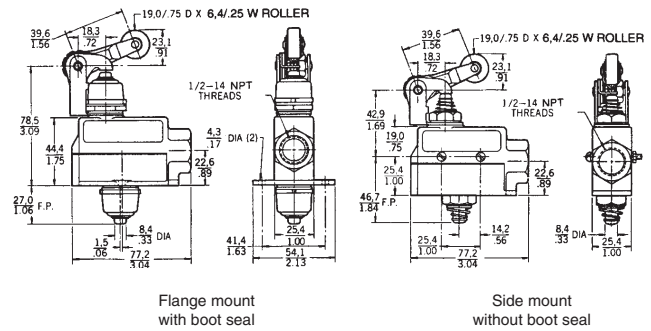


### OPTIONS

#### Top pin plunger



#### Roller arm, adjustable



#### Side mount

<b>Operating force max. (OF):</b>	With boot seal	1,67 N to 5,56 N (6 oz to 20 oz)
	Without boot seal	1,67 N to 2,64 N (6 oz to 9.5 oz)
<b>Pretravel max. (PT):</b>	With boot seal	1,98 mm (0.078 in)
	Without boot seal	0,30 mm (0.012 in)
<b>Overtravel min. (OT):</b>		4,75 mm (0.187 in)

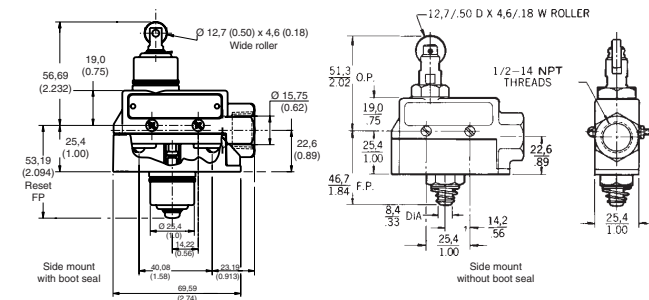
#### Side mount

<b>Operating Force max. (OF):</b>	With boot seal	4,45 N (16 oz)
	Without boot seal	3,34 N (12 oz)
<b>Pretravel max. (PT):</b>		4,78 mm (0.188 in)
<b>Overtravel min. (OT):</b>		5,56 mm (0.219 in)

	CONTACT	ELECTRICAL RATING	REFERENCE
With boot seal	SPDT Maintained	C	BZE6-RNX1
Without boot seal	SPDT Maintained	C	BZE6-RQX2

	CONTACT	CONDUIT	ELECTRICAL RATING	REFERENCE
With boot seal	Maintained		C	BZE6-RN2X1
Without boot seal	Maintained		C	BZE6-RQ2X2

#### Top roller plunger



#### Side mount

<b>Operating force max. (OF):</b>	With boot seal	3,34 N to 15,57 N (12 oz to 56 oz)
	Without boot seal	1,67 N to 2,64 N (6 oz to 9.5 oz)
<b>Pretravel max. (PT):</b>	With boot seal	1,98 mm (0.078 in)
	Without boot seal	0,30 mm (0.012 in)
<b>Overtravel min. (OT):</b>	With boot seal	4,75 mm (0.187 in)
	Without boot seal	3,55 mm (0.140 in)

	CONTACT	CONDUIT	ELECTRICAL RATING	REFERENCE
With boot seal	SPDT		C	BZE6-RN80X2
Without boot seal	SPDT		C	BZE6-RQ8X2