

## Fiberglass Type 4X Small Enclosures



### Application

Designed for use as a junction box or instrument housing in both indoor and outdoor settings. The enclosure is used in highly-corrosive environments typically found in oil refineries, chemical processing plants, waste water treatment, marine installations, pulp and paper processing, and electroplating plants.

### Construction

- Molded fiberglass polyester material has excellent temperature and chemical resistance qualities and exhibits outstanding physical properties
- Fiberglass material is easily punched, drilled, filed, or sawed
- Seamless foam-in-place gasket assures watertight and dusttight seal
- Threaded internal bosses provided for mounting optional panels and terminal block kits
- Scratch-resistant polycarbonate windows are permanently bonded in place
- Screw cover enclosures have easily removable covers attached to body with internal plated steel hinges. Cover securely fastens to the body with four captivated Type 316 stainless steel cover screws.
- Enclosures with quick-release latches have corrosion-resistant polyester hinges and polyester latches with a Type 316L stainless steel bail. Attached with Type 316 stainless steel screws. A Type 316L stainless steel padlock hasp is furnished with each enclosure.
- Sealing washers are furnished with enclosure

### Fiberglass Mounting Bracket Kit



Bracket is molded from fiberglass reinforced polyester. Kit includes four brackets, hardware, and installation instructions. Mounting hole dimensions with mounting brackets installed are [G + 2.50(64mm)] x [H + .50(13mm)].

See tables for G and H dimensions.

### Threaded Panel Extenders



Threaded Panel Extenders are made of plated steel and designed to raise the panel mounting surface. Extenders attach to threaded internal pads. Male and female thread size is #10. Each kit contains 4 extenders.

Bulletin Number: A80

Subject to change without notice

### Finish

Fiberglass material is light gray inside and out. Optional steel panels are painted white. Optional stainless steel, aluminum, and composite panels are unpainted.

### Industry Standards

Mounting brackets required to meet UL/CSA external mounting requirements.

UL 508A, File No. E61997: Type 3, 3R, 4, 4X, I2, and I3

NEMA/EEMAC Type 3, 3R, 4, 4X, I2, and I3

Enclosure flammability rating per UL 508A

Window flammability rating per UL 508A

CSA File No. 42186: Type 3R, 4, 4X, and I2

IEC 60529, IP66

Meets Type 3RX requirements

### Accessories

- Frameless Window Kit
- Panels
- Stainless Steel Window Kit
- Terminal Block Kit Assembly
- Ventilators
- Standard Accessories

### Modification Services Program

You can customize this product to your unique requirements by specifying from these options:

- Holes and cutouts in body, doors, panels
- Tapped holes, fasteners in subpanel
- Mounting Brackets
- Panels
- Thermal Accessories
- Threaded Panel Extenders
- Windows Kits
- Standard accessories

To order, contact your local Hoffman sales representative.

NOTE: For information about modifications outside the scope of the Modification Services program, contact your Hoffman sales representative.

Catalog Number	Bulletin Number
A50MFKR	A50Y

Catalog Number	Length (inch)	Length (mm)
APE050	0.50	13
APE100	1.00	25

**Fiberglass Type 4X Small Enclosures**

**Standard Sizes Fiberglass Type 4X Small Solid Screw Cover**

Catalog Number	Inside Dimensions A x B x C in. (mm)	Panel Catalog Number	Aluminum Panel Catalog Number	Panel Size D x E in. (mm)	Mounting G x H in. (mm)	Overall L x W in. (mm)	F in. (mm)	J in. (mm)	K in. (mm)	V in. (mm)	X in. (mm)	Y in. (mm)
A645JFGR	5.50 x 4.00 x 4.94 (140 x 102 x 125)	No Panel	No Panel	No Panel	4.75 x 2.00 (121 x 51)	6.00 x 4.50 (152 x 114)	4.41 (112)	4.13 (105)	1.00 (25)	—	4.22 (107)	3.59 (91)
A845JFGR	7.50 x 4.00 x 4.94 (191 x 102 x 125)	A6P4	A6P4AL	4.88 x 2.88 (124 x 73)	6.75 x 2.00 (171 x 51)	8.00 x 4.50 (203 x 114)	4.41 (112)	4.13 (105)	1.00 (25)	0.31 (8)	6.22 (158)	3.59 (91)
A865JFGR	7.50 x 6.00 x 5.19 (191 x 152 x 132)	A6P6	A6P6AL	4.88 x 4.88 (124 x 124)	6.75 x 4.00 (171 x 102)	8.00 x 6.50 (203 x 165)	4.66 (118)	4.38 (111)	1.00 (25)	0.31 (8)	6.22 (158)	5.59 (142)
A1066JFGR	9.50 x 6.00 x 5.69 (241 x 152 x 145)	A8P6	A8P6AL	6.75 x 4.88 (171 x 124)	8.75 x 4.00 (222 x 102)	10.00 x 6.50 (254 x 165)	5.16 (131)	4.63 (118)	1.25 (32)	0.25 (6)	8.12 (206)	5.50 (140)
A1287JFGR	11.50 x 8.00 x 6.69 (292 x 203 x 170)	A10P8	A10P8AL	8.75 x 6.88 (222 x 175)	10.75 x 6.00 (273 x 152)	12.00 x 8.50 (305 x 216)	6.16 (156)	5.13 (130)	1.75 (44)	0.25 (6)	9.97 (253)	7.34 (186)
A14107JFGR	13.50 x 10.00 x 7.19 (343 x 254 x 183)	A12P10	A12P10AL	10.75 x 8.88 (273 x 226)	12.75 x 8.00 (324 x 203)	14.00 x 10.50 (356 x 267)	6.66 (169)	5.63 (143)	1.75 (44)	0.25 (6)	11.97 (304)	9.34 (237)
A16128JFGR	15.50 x 12.00 x 8.19 (394 x 305 x 208)	A14P12	A14P12AL	12.75 x 10.88 (324 x 276)	14.75 x 10.00 (375 x 254)	16.00 x 12.50 (406 x 318)	7.66 (195)	6.13 (156)	2.25 (57)	0.25 (6)	13.78 (350)	11.16 (283)
A18149JFGR	17.50 x 14.00 x 8.69 (445 x 356 x 221)	A16P14	A16P14AL	14.75 x 12.88 (375 x 327)	16.75 x 12.00 (425 x 305)	18.00 x 14.50 (457 x 368)	8.16 (207)	6.63 (168)	2.25 (57)	0.25 (6)	15.78 (401)	13.16 (334)

Purchase panels separately. Optional stainless steel, aluminum, and composite material panels available for most sizes.

**Standard Sizes Fiberglass Type 4X Small Solid Cover with Quick-Release Latches**

Catalog Number	Inside Dimensions A x B x C in. (mm)	Panel Catalog Number	Aluminum Panel Catalog Number	Panel Size D x E in. (mm)	Mounting G x H in. (mm)	Overall L x W in. (mm)	F in. (mm)	J in. (mm)	K in. (mm)	V in. (mm)	X in. (mm)	Y in. (mm)	No. of Latches
A645JFGQRR	5.50 x 4.00 x 5.02 (140 x 102 x 128)	No Panel	No Panel	No Panel	4.75 x 2.00 (121 x 51)	6.00 x 5.39 (152 x 137)	4.50 (114)	4.13 (105)	1.00 (25)	—	4.22 (107)	3.59 (91)	1
A845JFGQRR	7.50 x 4.00 x 5.02 (191 x 102 x 128)	A6P4	A6P4AL	4.88 x 2.88 (124 x 73)	6.75 x 2.00 (171 x 51)	8.00 x 5.39 (203 x 137)	4.50 (114)	4.13 (105)	1.00 (25)	.31 (8)	6.22 (158)	3.59 (91)	1
A865JFGQRR	7.50 x 6.00 x 5.28 (191 x 152 x 134)	A6P6	A6P6AL	4.88 x 4.88 (124 x 124)	6.75 x 4.00 (171 x 102)	8.00 x 7.39 (203 x 188)	4.75 (121)	4.38 (111)	1.00 (25)	.31 (8)	6.22 (158)	5.59 (142)	2
A1066JFGQRR	9.50 x 6.00 x 5.78 (241 x 152 x 147)	A8P6	A8P6AL	6.75 x 4.88 (171 x 124)	8.75 x 4.00 (222 x 102)	10.00 x 7.39 (254 x 188)	5.25 (133)	4.63 (118)	1.25 (32)	0.25 (6)	8.12 (206)	5.50 (140)	2
A1287JFGQRR	11.50 x 8.00 x 6.78 (292 x 203 x 172)	A10P8	A10P8AL	8.75 x 6.88 (222 x 175)	10.75 x 6.00 (273 x 152)	12.00 x 9.39 (305 x 239)	6.25 (159)	5.13 (130)	1.75 (44)	0.25 (6)	9.97 (253)	7.34 (186)	2
A14107JFGQRR	13.50 x 10.00 x 7.28 (343 x 254 x 185)	A12P10	A12P10AL	10.75 x 8.88 (273 x 226)	12.75 x 8.00 (324 x 203)	14.00 x 11.39 (256 x 289)	6.75 (171)	5.63 (143)	1.75 (44)	0.25 (6)	11.97 (304)	9.34 (237)	2
A16128JFGQRR	15.50 x 12.00 x 8.28 (394 x 305 x 210)	A14P12	A14P12AL	12.75 x 10.88 (324 x 276)	14.75 x 10.00 (375 x 254)	16.00 x 13.39 (406 x 340)	7.75 (197)	6.13 (156)	2.25 (57)	0.25 (6)	13.78 (350)	11.16 (283)	2
A18149JFGQRR	17.50 x 14.00 x 8.78 (445 x 356 x 223)	A16P14	A16P14AL	14.75 x 12.88 (375 x 327)	16.75 x 12.00 (425 x 305)	18.00 x 15.39 (457 x 391)	8.25 (210)	6.63 (168)	2.25 (57)	0.25 (6)	15.78 (401)	13.16 (334)	2

Purchase panels separately. Optional stainless steel, aluminum, and composite material panels available for most sizes.

**Standard Sizes Fiberglass Type 4X Small Enclosures with Windows**

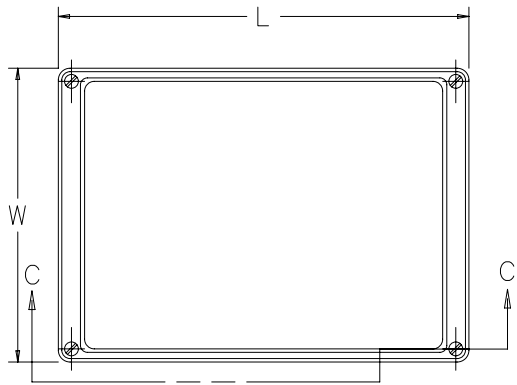
Catalog Number	Inside Dimensions A x B x C in. (mm)	Panel Catalog Number	Aluminum Panel Catalog Number	Panel Size D x E in. (mm)	Mounting G x H in. (mm)	Overall L x W in. (mm)	Window Size M x N in. (mm)	F in. (mm)	J in. (mm)	K in. (mm)	V in. (mm)	No. of Latches
A865JFGQRPWR	7.50 x 6.00 x 5.03 (191 x 152 x 128)	A6P6	A6P6AL	4.88 x 4.88 (124 x 124)	6.75 x 4.00 (171 x 102)	8.00 x 7.39 (203 x 188)	4.55 x 4.00 (116 x 102)	4.52 (115)	4.38 (111)	1.00 (25)	0.31 (8)	1
A1066JFGQRPWR	9.50 x 6.00 x 5.53 (241 x 152 x 140)	A8P6	A8P6AL	6.75 x 4.88 (171 x 124)	8.75 x 4.00 (222 x 102)	10.00 x 7.39 (254 x 188)	6.55 x 4.00 (166 x 102)	5.00 (127)	4.63 (118)	1.25 (32)	0.25 (6)	2
A1287JFGQRPWR	11.50 x 8.00 x 6.53 (292 x 203 x 166)	A10P8	A10P8AL	8.75 x 6.88 (222 x 175)	10.75 x 6.00 (273 x 152)	12.00 x 9.39 (305 x 239)	8.25 x 5.84 (210 x 148)	6.00 (152)	5.13 (130)	1.75 (44)	0.25 (6)	2
A14107JFGQRPWR	13.50 x 10.00 x 7.03 (343 x 254 x 179)	A12P10	A12P10AL	10.75 x 8.88 (273 x 226)	12.75 x 8.00 (324 x 203)	14.00 x 11.39 (253 x 289)	10.28 x 6.84 (261 x 174)	6.52 (166)	5.63 (143)	1.75 (44)	0.25 (6)	2
A16128JFGQRPWR	15.50 x 12.00 x 8.03 (394 x 305 x 204)	A14P12	A14P12AL	12.75 x 10.88 (324 x 276)	14.75 x 10.00 (375 x 254)	16.00 x 13.39 (406 x 340)	12.34 x 9.10 (313 x 231)	7.52 (191)	6.13 (156)	2.25 (57)	0.25 (6)	2
A18149JFGQRPWR	17.50 x 14.00 x 8.53 (445 x 356 x 217)	A16P14	A16P14AL	14.75 x 12.88 (375 x 327)	16.75 x 12.00 (425 x 305)	18.00 x 15.39 (457 x 391)	14.45 x 11.06 (367 x 281)	8.00 (203)	6.63 (168)	2.25 (57)	0.25 (6)	2

Purchase panels separately. Optional stainless steel, aluminum, and composite material panels available for most sizes.

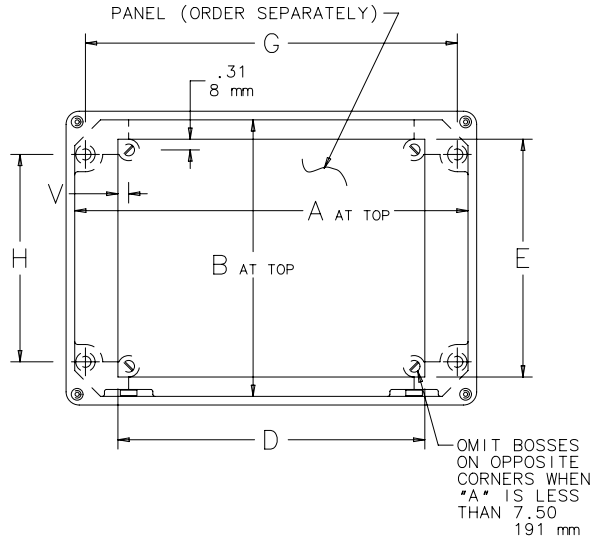
Subject to change without notice

**Fiberglass Type 4X Small Enclosures**

Solid Screw Cover Enclosure

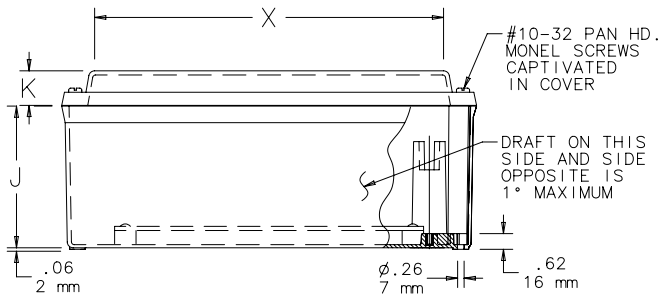


TOP VIEW WITH COVER

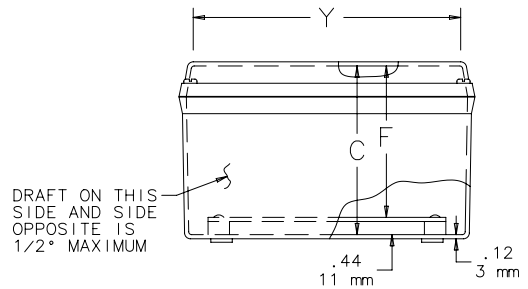


TOP VIEW WITH COVER REMOVED

NOTE: Panel screws have #10-32 threads.



SECTION C-C



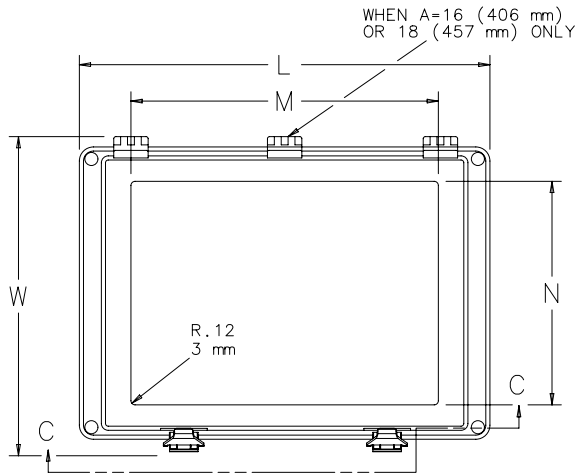
END VIEW

C2549-C

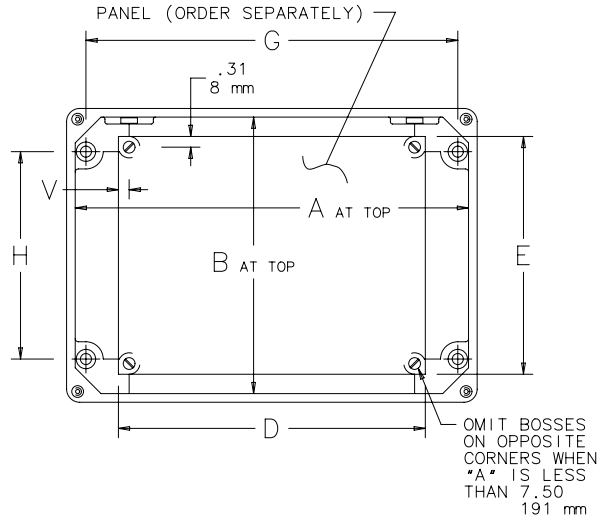
Subject to change without notice

**Fiberglass Type 4X Small Enclosures**

Quick-Release Solid Cover Enclosure and Window Cover Enclosure

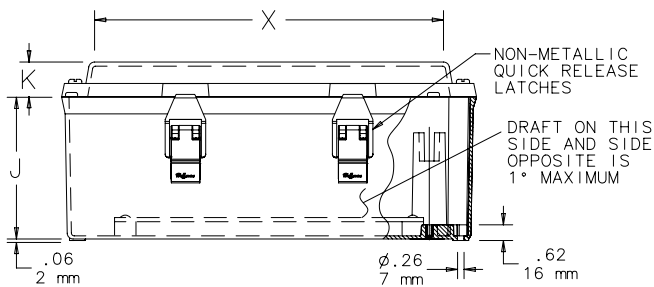


TOP VIEW WITH COVER

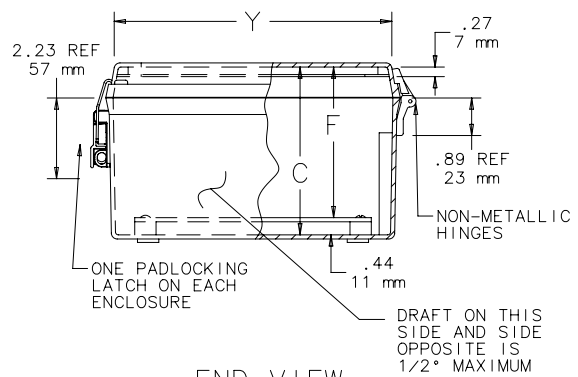


TOP VIEW WITH COVER REMOVED

- NOTE: 1. Panel screws have #10-32 threads.  
2. Hinged cover opens 200° maximum.



SECTION C-C



END VIEW

C2550-C

Subject to change without notice