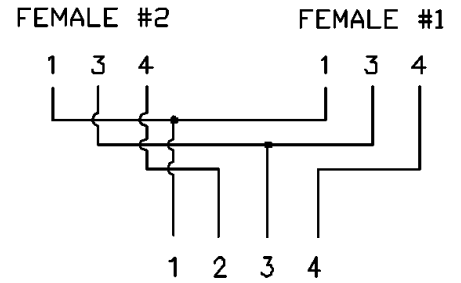
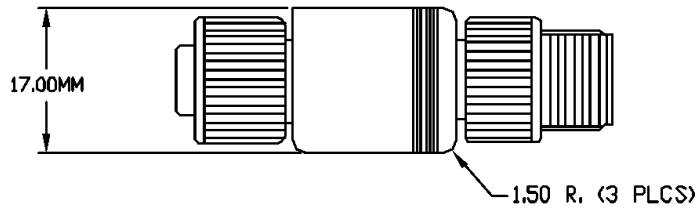


NOTES

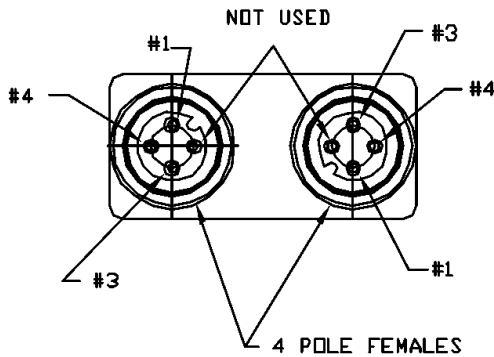
1. DIMENSIONS SHOWN ARE FOR REFERENCE ONLY.
2. FOR MOLDING AND BOARD LOCATION SEE STD-384.
3. ASSEMBLY MUST MEET S-272.
4. ELECTRICAL TEST PER S-166.



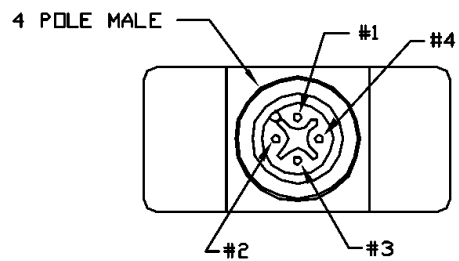
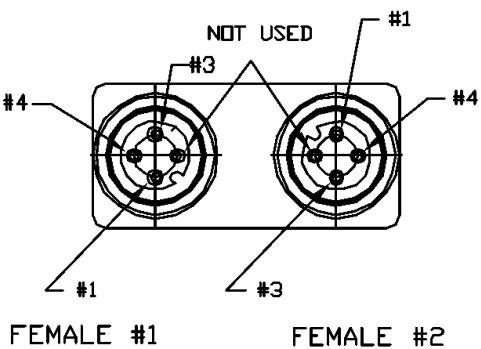
MALE
WIRE DIAGRAM



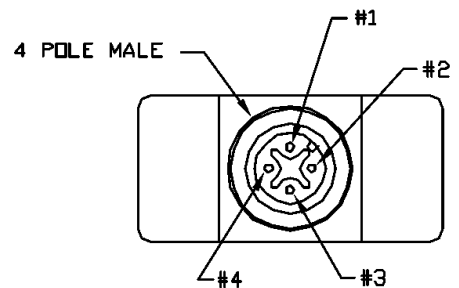
FRONT VIEW



BACK VIEW



BACK VIEW



81590 MICRO-CHANGE SPLITTER BODY