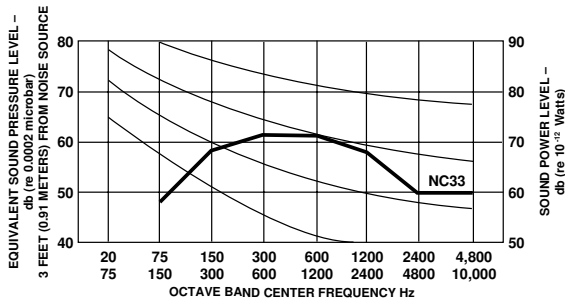


# Nautilair™ Centraxial Blower

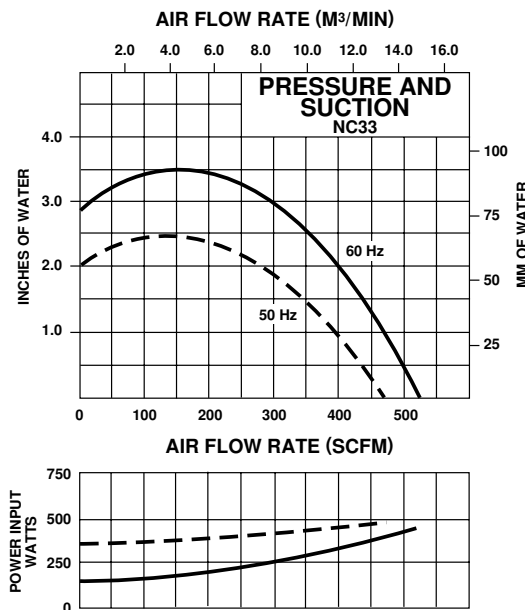
Designed for  
Cooling & Venting

**FEATURES**

- Manufactured in the USA – ISO 9001 compliant
- Maximum flow: 540 SCFM
- Maximum pressure: 3.5 IWG
- Thermoset plastic blower housing with aluminum impeller
- Permanently sealed ball bearings in motor – L10 bearing life 50,000 hours
- Quiet operation within OSHA standards
- Shipping weight: 18 lbs (8.2 kg) for standard model  
28 lbs (12.7 kg) for TEFC model  
30 lbs (13.6 kg) for XP model
- Designed for UL and CSA
- Automatic thermal overload protection on standard motor enclosures



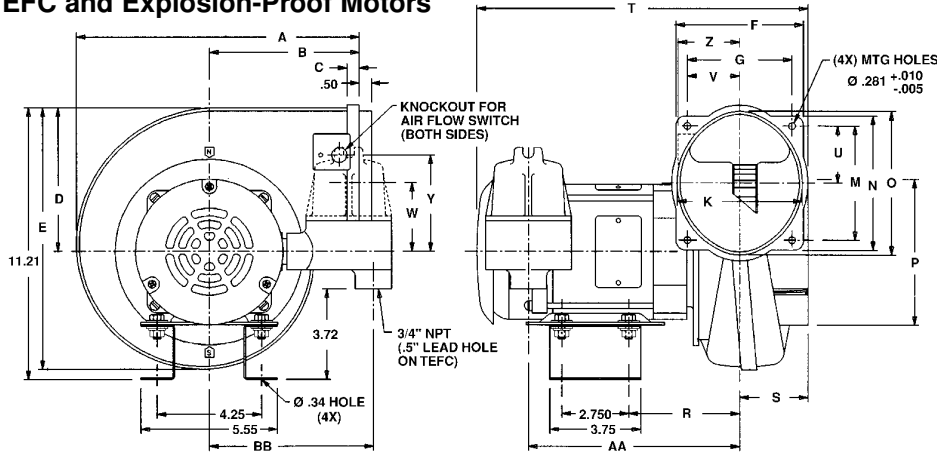
**BLOWER PERFORMANCE AT STANDARD CONDITIONS**



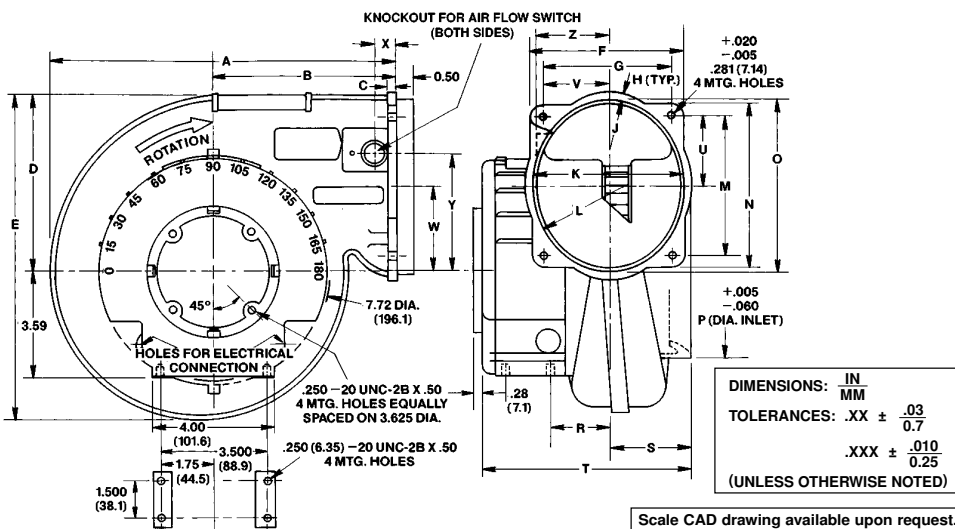
Designed for  
Cooling & Venting

## Nautilair™ Centraxial Blower

### TEFC and Explosion-Proof Motors



### Instrument Grade Induction Motors



	NC33A (Standard)	NC33AE9 (TEFC)	NC33AG58 (XP)
A	11.50 (292.1)	11.50 (292.1)	11.50 (292.1)
B	6.13 (155.7)	6.13 (155.7)	6.12 (155.4)
C	0.50 (12.7)	0.50 (12.7)	0.50 (12.7)
D	6.00 (152.4)	6.00 (152.4)	6.00 (152.4)
E	10.00 (254.0)	10.79 (274.0)	10.79 (274.0)
F	5.19 (131.8)	5.19 (131.8)	5.19 (131.8)
G	4.25 (108.0)	4.25 (108.0)	4.25 (108.0)
H	0.25 (6.4)	-	-
J	1.75 (44.4)	-	-
K	5.08 (129.0)	5.08 (129.0)	5.08 (129.0)
L	3.13 (79.5)	-	-
M	4.75 (120.7)	4.75 (120.7)	4.75 (120.7)
N	5.59 (142.0)	5.59 (142.0)	5.59 (142.0)
O	5.97 (151.6)	5.97 (151.6)	5.97 (151.6)
P	-	6.00 (152.4)	6.00 (152.4)
R	1.97 (50.0)	4.52 (114.8)	4.52 (114.8)
S	2.78 (70.6)	2.78 (70.6)	2.78 (70.6)
T	7.00 (177.8)	13.6 (345.4)	13.53 (343.7)
U	2.38 (60.5)	2.38 (60.5)	2.38 (60.5)
V	2.13 (54.1)	2.13 (54.1)	2.13 (54.1)
W	2.85 (72.4)	2.85 (72.4)	2.85 (72.4)
X	0.81 (20.6)	-	-
Y	4.00 (101.6)	4.00 (101.6)	4.00 (101.6)
Z	2.50 (63.5)	2.50 (63.5)	2.50 (63.5)
AA	-	7.55 (191.8)	8.64 (219.5)
BB	-	6.62 (168.1)	6.71 (170.4)

### SPECIFICATIONS

MODEL	NC33A2G	NC33A3G	NC33A33G	NC33AE9	NC33AG58
Part No.	037791	037792	037793	080114	080113
Voltage	115	220/230	220/200-230	104-115/208-230	115/208-230
Phase - Frequency	Single-50/60 Hz	Single-50/60 Hz	Three-50/60 Hz	Single-50/60 Hz	Single-50/60 Hz
RPM on 50/60 Hz	2900/3500	2900/3500	2900/3500	2900/3500	2900/3500
Insulation Class <sup>1</sup>	B	B	B	F	B
Full-Load Amps	3.44/3.84	1.47/1.82	1.10/1.18	6.0/3.0	4.4/2.2
Locked Rotor Amps	8.25	4.0	5.0	21/10.5	38/19
Shipping Weight	18 lb (8.2 kg)	18 lb (8.2 kg)	18 lb (8.2 kg)	28 lb (12.7 kg)	30 lb (13.6 kg)
Motor Enclosure	Standard	Standard	Standard	TEFC	XP

<sup>1</sup> Maximum operating temperature: Motor winding temperature (winding rise plus ambient) should not exceed 140°C for Class F rated motors or 120°C for Class B rated motors. Blower outlet air temperature should not exceed 140°C (air temperature rise plus inlet temperature). Performance curve maximum pressure and suction points are based on a 40°C inlet and ambient temperature. Consult factory for inlet or ambient temperatures above 40°C.

Specifications subject to change without notice. Please consult your Local Field Sales Engineer for specification updates.