

**E27 Lampholder, One-Piece, for Cover Caps**

Lampholder and Accessories for General-Service Incandescent Lamps, 623xx Series

**E27 Lampholder, One-Piece, for Cover Caps**

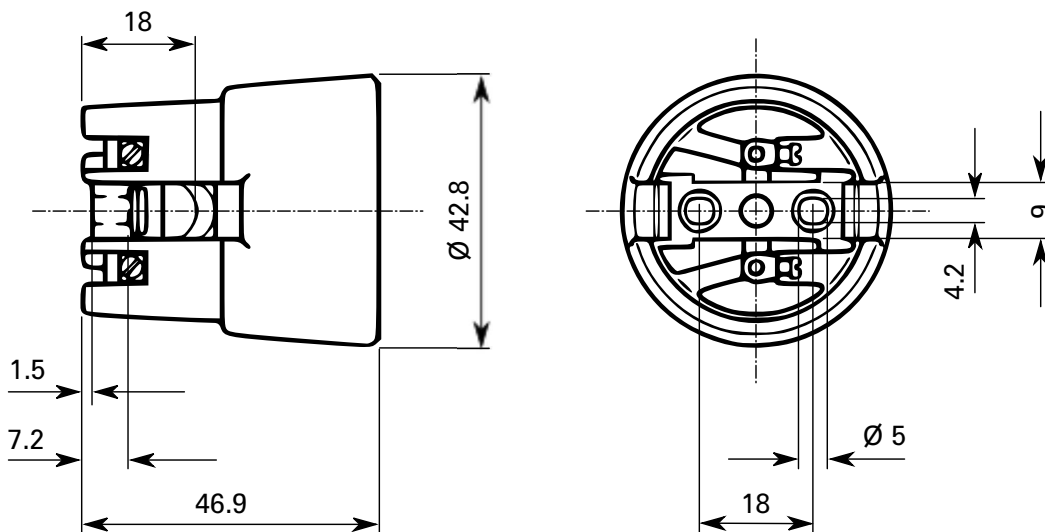
*Specifications and Features*

- **Type** 62310
- **Size** E27
- **Material** Ceramic/Porcelain, White, T270 °C
- **Ratings** Nominal 4A, 250V, 5 kV
- **Terminals** Pillar Terminals M2.5 (0.5 to 2.5 mm<sup>2</sup>)
- **Standards** IEC 60238:1998, VDE EN 60238/A2 (VDE 0616 Part 1/A2), EN 60238:1996 + A1:1997 + A2:1998
- Spring Loaded Center Contact
- Fixing Oblong Holes for Screws M4
- For Cover Caps Type 85070, 97665, 97650, 97511, 96206 (available on special request)



**NOTE:** These lampholders are OEM products, available on special request only.

Catalog No.	Description	Weight/ea	VPE/Pack	EDP No.
<b>62310</b>	E27 Lampholder, Porcelain, One-Piece, for Cover Caps	65 g (net)	250	126262



*Technical data and dimensions are subject to change without notice. Dimensions in mm.*

**E27 Lampholder, One-Piece, Snap-In Mounting**

Lampholder and Accessories for General-Service Incandescent Lamps, 623xx Series

**E27 Lampholder, One-Piece, Snap-In Mounting**

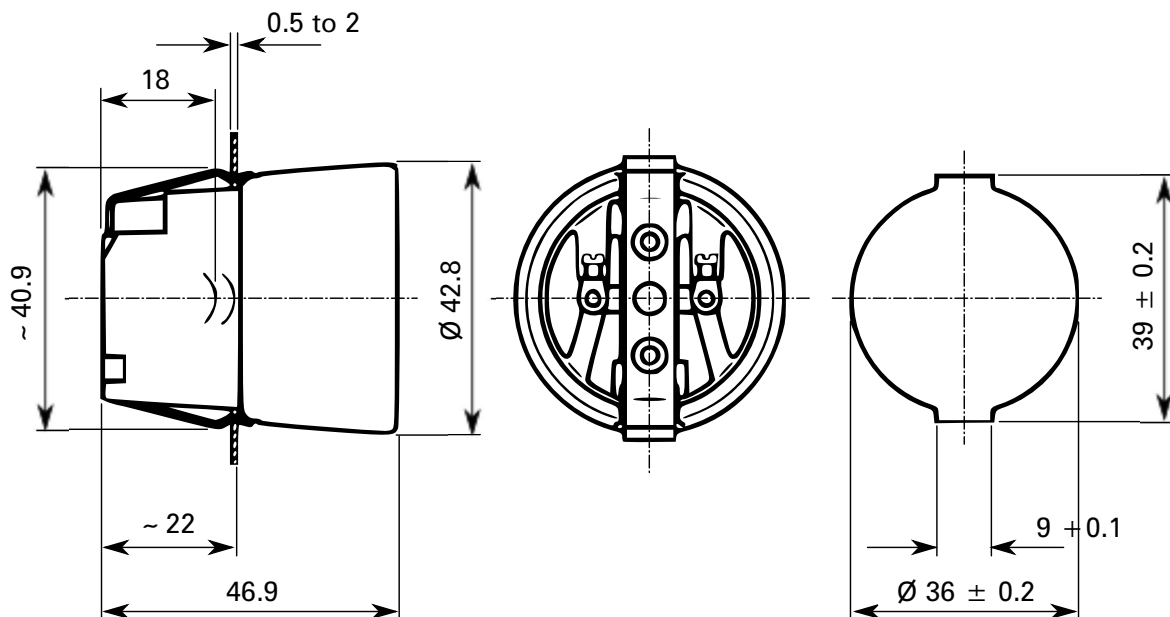
*Specifications and Features*

- **Type** 62311
- **Size** E27
- **Material** Ceramic/Porcelain, White, T270 °C
- **Ratings** Nominal 4A, 250V, 5 kV
- **Terminals** Pillar Terminals M2.5 (0.5 to 2.5 mm<sup>2</sup>)
- **Standards** IEC 60238:1998, VDE EN 60238/A2 (VDE 0616 Part 1/A2), EN 60238:1996 + A1:1997 + A2:1998
- Spring Loaded Center Contact
- Snap-In Mounting U-Spring (for 0.5 to 2 mm)



**NOTE:** These lampholders are OEM products, available on special request only.

Catalog No.	Description	Weight/ea	VPE/Pack	EDP No.
<b>62311</b>	E27 Lampholder, Porcelain, One-Piece, Snap-In Mounting	69 g (net)	250	126263



*Technical data and dimensions are subject to change without notice. Dimensions in mm.*