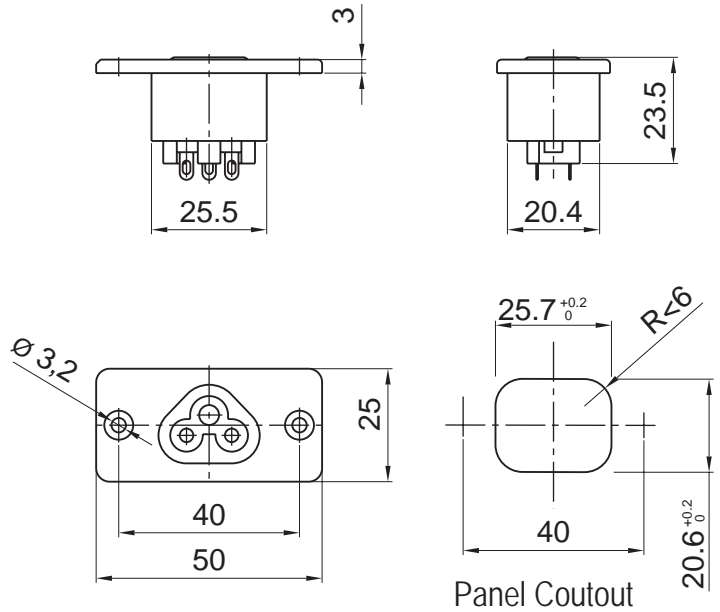


5888X

Europe / USA / Canada Appliance Outlet, T 70°C



Equipment Class I
IEC 60320-2-2 / EN 60320-2-2 / VDE 0625-2-2



Equipment Class II
Non-Standard

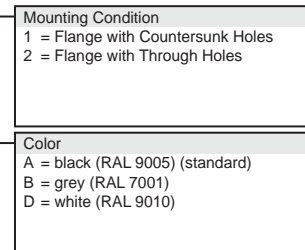
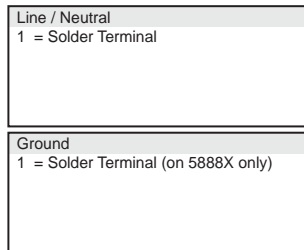


socket:
Polyamide PA6 – UL94V-0
terminals:
copper alloy, tin-plated

Socket:
Polyamid PA6 – UL94V-0
Anschlüsse:
Kupferlegierung, verzinkt

Ordering Example: **5 8 8 8 X** 1 1 1 0 A 1
(2-Pin Version): **5 8 8 8 B** 1 1 0 0 A 1

Basic catalog number denotes standard version!



P/N 2705 Mating Type A
Angle 3-Pin Plug Connector



P/N 2706 Mating
Angle 2-Pin Plug Connector



P/N HN 15.50
Mating Protection Cover