

B240R120HP

APPLICATION and PERFORMANCE SPECIFICATION

Description: High frequency electronic ballast for 1 or 2 F40T12 lamps (and others as indicated below)
Also equivalent U-shaped lamps

- Line Voltage: 120vac, $\pm 10\%$, 60Hz
- Parallel Lamp Operation
- Rapid Start
- Active Power Factor Correction

Lamps		Input Watts	Nominal Line Amps	Power Factor	Ballast Factor	Ballast Efficacy Factor	Harmonic Total	Crest Factor
Type	#							
F40T12	2	75	0.65	> .99	.90	1.20	< 10%	< 1.7
F40T12	1	46	0.42	> .98	1.02	2.22	< 10%	< 1.7
F40T12ES	2	63	0.54	> .99	.86	1.37	< 10%	< 1.7
F40T12ES	1	39	0.35	> .98	.97	2.49	< 10%	< 1.7
F40T10	2	80	0.67	> .98	.90	1.13	< 10%	< 1.7
F40T10	1	48	0.44	> .98	1.03	2.15	< 10%	< 1.7
F30T12	2	60	0.50	> .95	.92	1.53	< 10%	< 1.7
F30T12	1	37	0.33	> .95	1.05	2.84	< 10%	< 1.7
F30T12ES	2	53	0.46	> .98	.88	1.66	< 10%	< 1.7
F30T12ES	1	33	0.30	> .95	1.00	3.03	< 10%	< 1.7
*FT39W/2G11	2	75	0.62	> .98	.89	1.19	< 10%	< 1.7
*FT39W/2G11	1	48	0.40	> .95	1.00	2.08	< 10%	< 1.7

Application and Performance Specification Information Subject to Change without Notification.

* End of lamp life recommended for this application per ANSI C78.901-2001, Part I, Sec. 13.8

Performance:

- Meets ANSI Standard C82.11-1993
- Meets ANSI Standard C62.41-1991
- Meets FCC Part 18 (Class A) for EMI and RFI
Non-Consumer Limits
- Meets CSA Standard 654 for Ballast Efficiency

Safety:

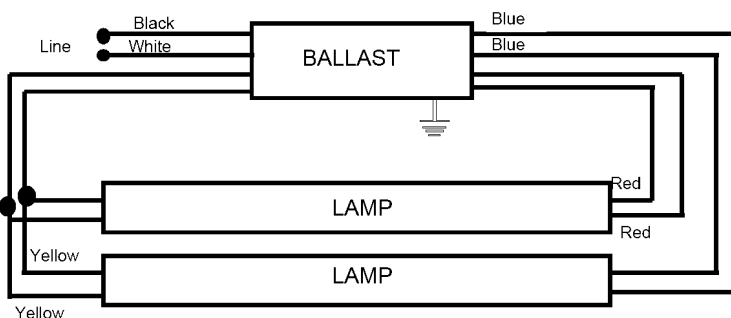
- No PCB's
- UL listed (Class P, Type 1 Outdoor)
- CSA Certified

Application:

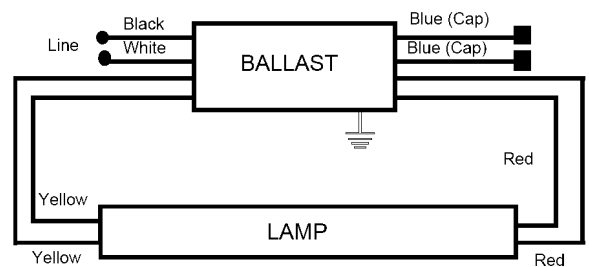
- Minimum Starting Temperature:
Standard Lamps 50° F, 10° C
Energy Saving Lamps 60° F, 16° C
- Sound Rated: A
- Remote Mounting: 12 ft. max. lead length, 18 AWG

Physical Parameters

- Length: 9.50"
- Width: 2.40"
- Height: 1.55"
- Weight: 2.30 lbs.
- Lead Length: White, Black 25" ($\pm 1"$)
- Red, Blue 33" ($\pm 1"$)
- Yellow 43" ($\pm 1"$)



TWO LAMP APPLICATION



ONE LAMP APPLICATION

Cap unused blue leads, insulate to 600 volts

Ballast must be grounded in accordance with national and local electrical codes.