

CAPITAL 13A SINGLE SOCKET OUTLET INTERIORS

List No	*A	B	C	D	E	F	G	H	J	K	L	M	N	P
4314/1	60.3	12.0	15.4	5.7	28.6	30.4	10.8	38.8	14.2	38.4	-	-	-	-
4314/13	60.3	12.0	15.4	5.7	28.6	30.4	10.8	38.8	14.2	38.4	23.4	16.8	16.6	10.5
7259	60.3	50.0	-	-	-	-	-	-	-	-	-	-	-	-
8255/1	60.3	19.8	14.3	38.9	38.4	14.3	-	-	-	-	-	-	-	-

* Fixing holes drill to accept 4mm countersunk screws.

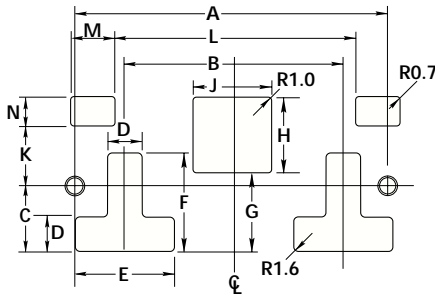
Max panel thickness 1.6mm (except 7259 - 2.5mm).

CAPITAL 13A TWIN SOCKET OUTLET INTERIORS

List No	*A	B	C	D	E	F	G	H	J	K	L	M	N
4316/1	120.6	84.4	24.7	14.2	38.8	38.4	30.4	28.6	29.9	-	-	-	-
4316/13	120.6	84.4	24.7	14.2	38.8	38.4	30.4	28.6	29.9	23.4	94.1	16.6	10.5
8257/1	120.6	66.7	19.8	14.3	38.9	38.4	-	-	-	-	-	-	-

* Fixing holes drill to accept 4mm countersunk screws.

Max panel thickness 1.6mm.



CAPITAL 45A DP 'SLIMLINE' COOKER CONTROL UNIT INTERIORS

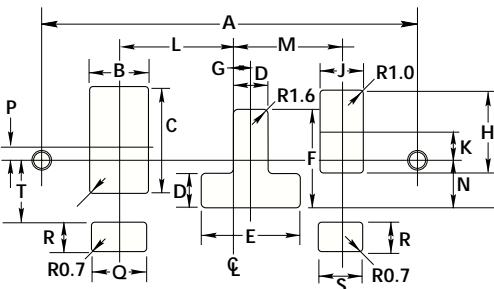
List No	*A	B	C	D	E	F	G	H	J	K	L	M	N	P
4522/1	120.6	21.7	40.2	14.2	38.8	38.4	7.6	30.2	17.0	10.0	40.5	41.6	19.2	5.0
4522/13	120.6	21.7	40.2	14.2	38.8	38.4	7.6	30.2	17.0	10.0	40.5	41.6	19.2	5.0

List No Q R S T

4522/13	21.5	10.5	16.6	25.75
---------	------	------	------	-------

* Fixing holes drill to accept 3.5mm countersunk screws.

Max panel thickness 1.6mm.

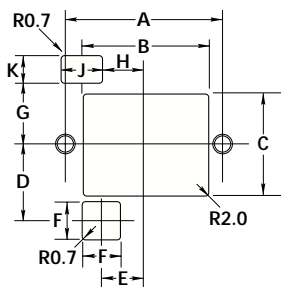


CAPITAL 13A FUSED CONNECTION UNIT INTERIORS

List No	*A	B	C	D	E	F	G	H	J	K
4831/1	60.3	22.0	38.0	-	-	-	-	-	-	-
4832/1	60.3	48.0	38.0	-	-	-	-	-	-	-
4832/13	60.3	48.0	38.0	-	-	-	23.4	16.8	16.6	10.5
4836/1	60.3	22.0	38.0	29.0	17.0	14.0	-	-	-	-
4837/1	60.3	48.0	38.0	29.0	17.0	14.0	-	-	-	-
4837/13	60.3	48.0	38.0	29.0	17.0	14.0	23.4	16.8	16.6	10.5

* Fixing holes drill to accept 4mm countersunk screws.

Max panel thickness 1.6mm.



All dimensions in mm. General tolerance ± 0.13 mm.

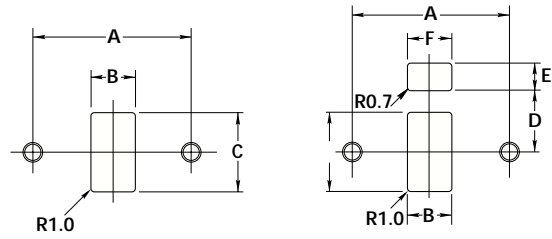
Details for round pin socket outlet interiors available on request

CAPITAL 20A/32A SWITCH INTERIORS

List No	*A	B	C	D	E	F
All 1 gang	60.3	17.1	30.6			
6172/1	60.3	33.4	30.6			
6173/1	60.3	49.7	30.6			
4011/1 & 4012/1	60.3	17.1	30.6	-	-	-
4011/13 & 4012/13	60.3	17.1	30.6	23.7	10.5	16.6

* Fixing holes drill to accept 4mm countersunk screws.

Max panel thickness 2.5mm.



6172/1 & 6173/1

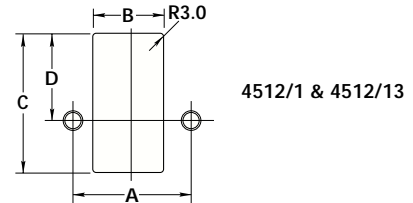
4011/1 & 4012/1
4011/13 & 4012/13

CAPITAL 50A DP SWITCHES

List No	*A	B	C	D
4512/1	52	31	61.3	38.5
4512/13	52	31	61.3	38.5

* Fixing holes drill to accept 3.5mm countersunk screws.

Max panel thickness 2.5mm.



4512/1 & 4512/13

CAPITAL TELEPHONE & CO-AXIAL OUTLETS

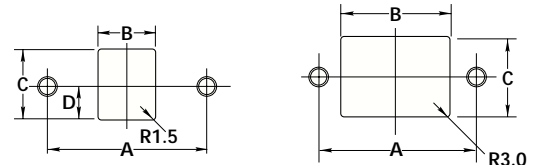
List No	*A	B	C	D	List No	*A	B	C	D
8283/1	60.3	20.3	23.3	16.2	8265/1	60.3	21	30	3.0
8284/1	60.3	20.3	23.3	16.2	8266/1	60.3	41	30	3.0

* Fixing holes drill to accept 3.5mm countersunk screws.

Max panel thickness 1.7mm.

* Fixing holes drill to accept 4mm countersunk screws.

Max panel thickness 1.6mm.



8283/1 & 8284/1

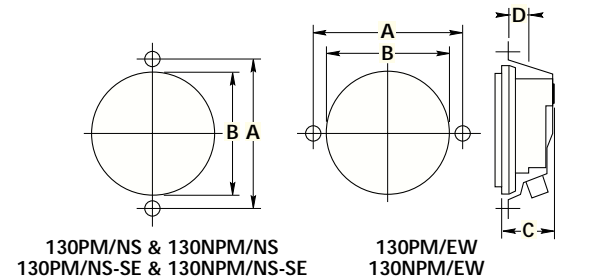
8265/1 & 8266/1

DIAMOND 13A SINGLE SOCKET OUTLET INTERIORS

List No	*A	B	C	D	E	F	G	H	J	K
130PM/NS	60.3	50.0	23	15.0	-	-	-	-	-	-
130PM/EW	60.3	50.0	23	15.0	-	-	-	-	-	-
130NPM/NS	60.3	50.0	23	15.0	-	-	-	-	-	-
130NPM/EW	60.3	50.0	23	15.0	-	-	-	-	-	-
130PM/NS-SE	60.3	50.0	23	8.0	-	-	-	-	-	-
130NPM/NS-SE	60.3	50.0	23	8.0	-	-	-	-	-	-
130PMG	44.5	17.8	13.4	37.4	29	-	-	-	-	-
130PMG	44.5	17.78	13.4	37.4	29	-	-	-	-	-
130PMG-SE	44.5	17.78	13.4	37.4	29	-	-	-	-	-
130NPMG	44.5	17.78	13.4	37.4	29	-	-	-	-	-
13SOIPM	44.5	11.2	21.2	13.4	37.4	29	25.3	25.8	4.1	7.6
13SONIPM	44.5	11.2	21.2	13.4	37.4	28.93	25.3	25.8	4.1	7.6

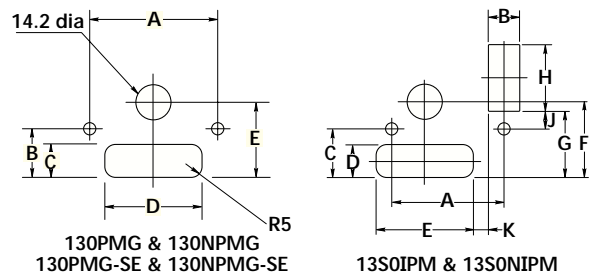
* Fixing holes drill to accept 3.5mm countersunk screws.

Max panel thickness 2.0mm (2.5mm on round socket outlets).



130PM/NS & 130NPM/NS
130PM/NS-SE & 130NPM/NS-SE

130PM/EW
130NPM/EW



130PMG & 130NPMG
130PMG-SE & 130NPMG-SE

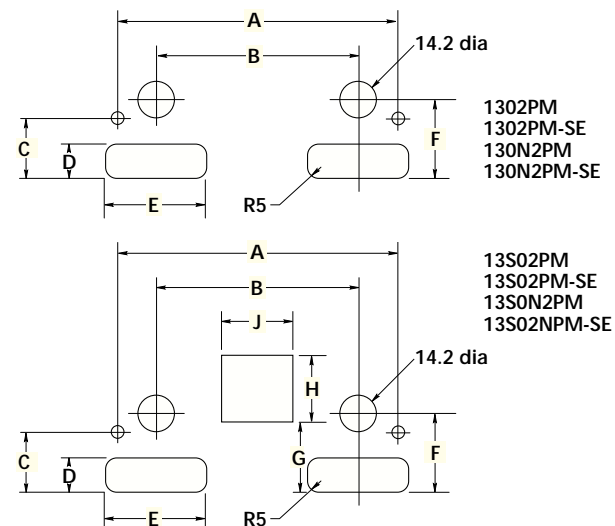
13SOIPM & 13SONIPM

DIAMOND 13A TWIN SOCKET OUTLET INTERIORS

List No	*A	B	C	D	E	F	G	H	J
1302PM	104.8	75.0	21.2	13.4	37.4	29	-	-	-
1302PM-SE	104.8	75.0	21.2	13.4	37.4	29	-	-	-
130N2PM	104.8	75.0	21.2	13.4	37.4	29	-	-	-
130N2PM-SE	104.8	75.0	21.2	13.4	37.4	29	-	-	-
13S02PM	104.8	75.0	21.2	13.4	37.4	29	26.1	24.2	24.2
13S02PM-SE	104.8	75.0	21.2	13.4	37.4	29	26.1	24.2	24.2
13SON2PM	104.8	75.0	21.2	13.4	37.4	29	26.1	24.2	24.2
13SON2PM-SE	104.8	75.0	21.2	13.4	37.4	29	26.1	24.2	24.2

* Fixing holes drill to accept 3.5mm countersunk screws.

Max panel thickness 2.0mm.

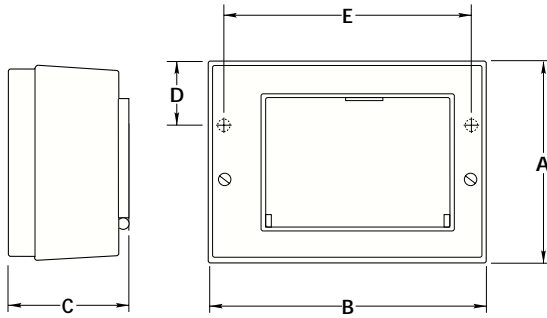


1302PM
1302PM-SE
130N2PM
130N2PM-SE

13S02PM
13S02PM-SE
13SON2PM
13SON2PM-SE

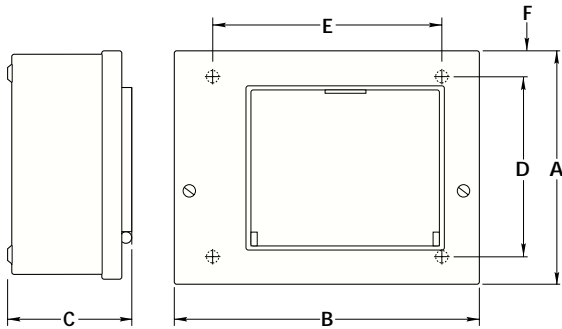
APPROXIMATE DIMENSIONS (mm)

SURFACE ALL-INSULATED ENCLOSURES



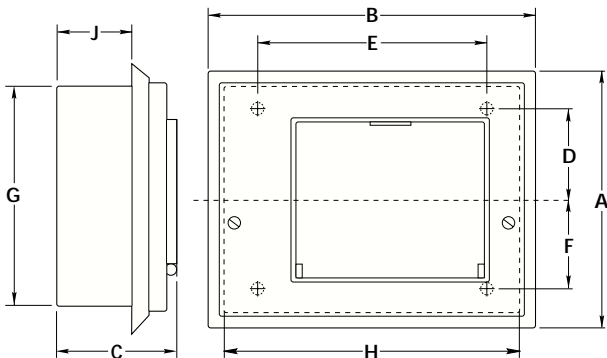
List No	A	B	C	D	E
706/0A	192	200	121	61	170
708/0A	192	272	121	61	242
710/0A	192	272	121	61	242
714/0A	192	366	121	61	336
717/0A	210	435	118	36	350
720/0A	211	488	117	36	405

SURFACE METAL-CASED ENCLOSURES



List No	A	B	C	D	E	F
808/0A	221	294	121	174	222	24
810/0A	221	294	121	174	222	24
814/0A	221	366	121	174	294	24
817/0A	205	430	118	145	362	35
820/0A	211	488	117	36	405	-

FLUSH METAL-CASED ENCLOSURES

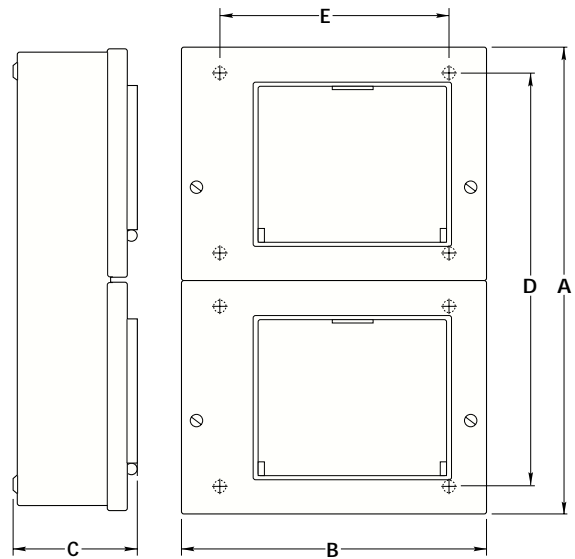


List No	A	B	C	D	E	F	G	H	J
808/0AF	248	321	117	87	222	87	212	285	74
810/0AF	248	321	117	87	222	87	212	285	74
814/0AF	248	393	117	87	294	87	212	357	74

APPROXIMATE DIMENSIONS (mm)

2 BANK SURFACE METAL CASED ENCLOSURES

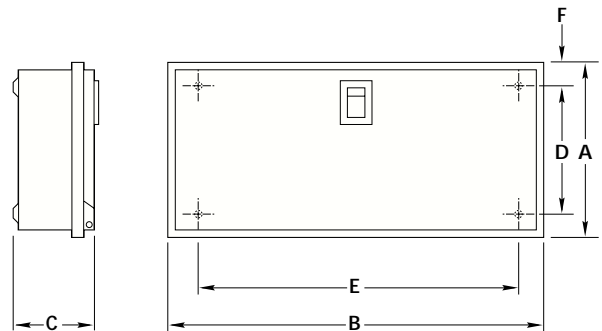
List No	A	B	C	D	E
820/2A	450	294	121	398	222
828/2A	450	365	121	398	295
834/2A	420	430	118	355	360
840/2A	420	488	117	345	416



CUSTOM BUILT CONSUMER UNITS

List No	A	B	C	D	E	F
814/13	230	505	115	175	450	25
829/2463	480	505	115	410	450	25
832/24	480	505	115 <td 410	450	25	

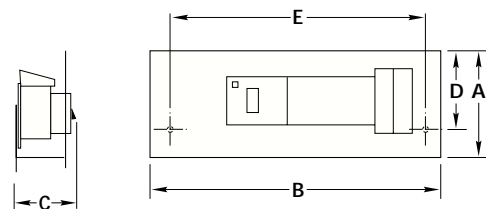
The above are Starbreaker interiors mounted in a Polestar style enclosure - available to order.



SPINE BACKPLATE ASSEMBLIES (TUFNOL COVER)

List No	A	B	C	D	E
912/2	144	333	109	77	319
911/38*	144	333	109	77	319
909/Split-load	144	333	109	77	319

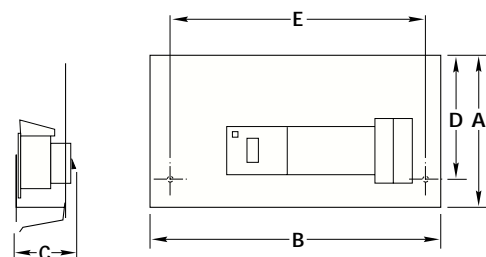
* Allow 4mm for dolly clearance.



SPINE BACKPLATE ASSEMBLIES (WHITE PVC COVER)

List No	A	B	C	D	E
912/2	222	333	130	155	319
911/38*	222	333	130	155	319
909/Split-load	222	333	130	155	319

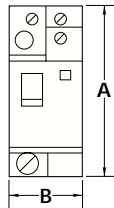
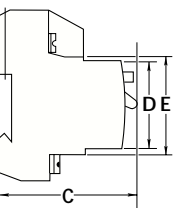
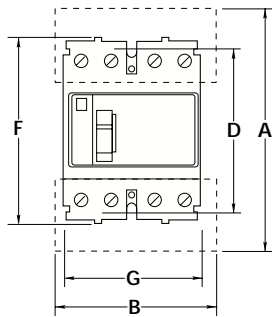
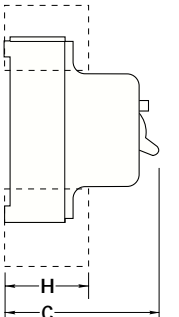
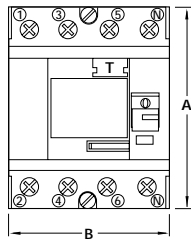
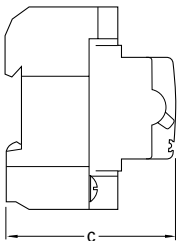
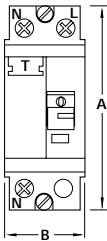
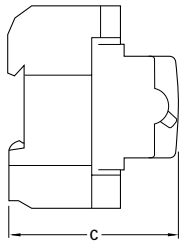
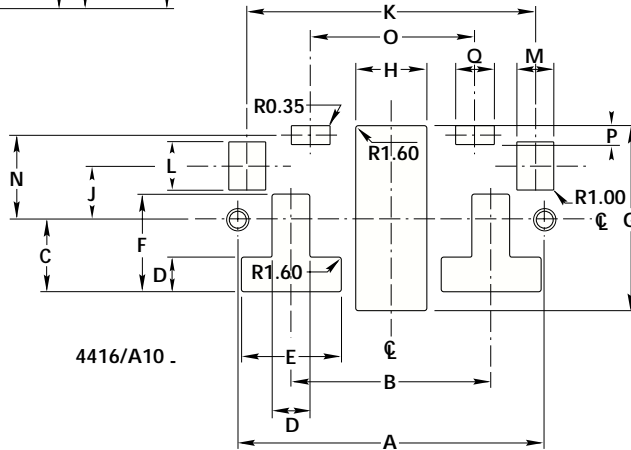
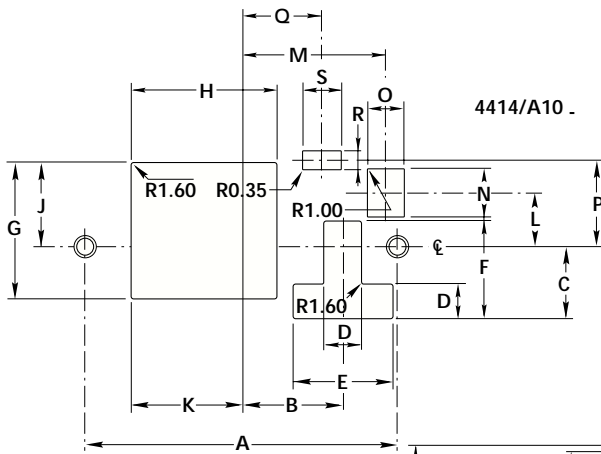
* Allow 4mm for dolly clearance.



APPROXIMATE DIMENSIONS (mm)

13A 1 & 2 GANG SRCD (SAFETY SOCKET)

List No	A	B	C	D	E	F	G	H	J	K
4414/A10	120.6	39.75	28.45	14.2	38.8	38.4	51.8	56.6	20.85	56.6
4416/A10	120.6	79.5	28.45	14.2	38.8	38.4	72.8	27.3	20.85	113.1
	L	M	N	O	P	Q	R	S		
	18.9	13.9	32.7	31.8	7.4	14.5	31.48	43.15		
	12.9	13.9	32.7	63.5	7.4	14.5	-	-		



2 MODULE RESIDUAL CURRENT CIRCUIT BREAKERS

List No	A	B	C
223/A010	90	35	75
224/ ... , 226/ ... , 228/ ...	90	35	75
224/A ... , 226/A ... , 228/A ...	90	35	75

4 MODULE RESIDUAL CURRENT CIRCUIT BREAKERS

List No	A	B	C
244/ ... , 246/ ... , 241/ ...	90	70	75
244/A ... , 246/A ... , 241/A ...	90	70	75

5 MODULE RESIDUAL CURRENT CIRCUIT BREAKERS

List No	A	B	*C	D	E	F	G	H
641/ ...	198	98	99	104	-	116	88	50
641/A ...	198	98	99	104	-	116	88	50

* Allow 4mm for dolly clearance.

2 MODULE RCBOs (MCB/RCDs)

List No	A	B	*C	D	E
6132/0_0	87	36	75	45	50

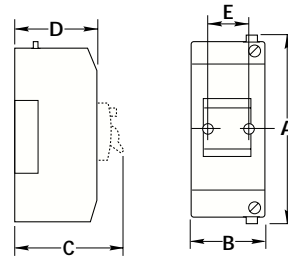
* Allow 4mm for dolly clearance.

APPROXIMATE DIMENSIONS (mm)

3 MODULE GENERAL PURPOSE ENCLOSURE IP20

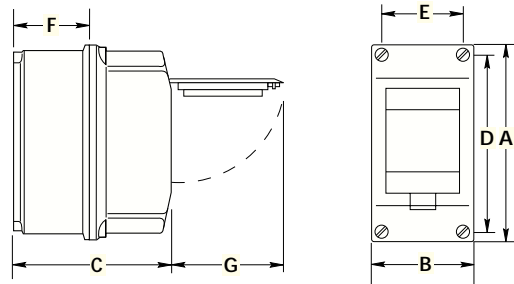
List No	A	B	*C	D	E
744/3	150	60	89	68	38

* Allow 4mm for dolly clearance.



3 MODULE ALL-PURPOSE ENCLOSURE IP65

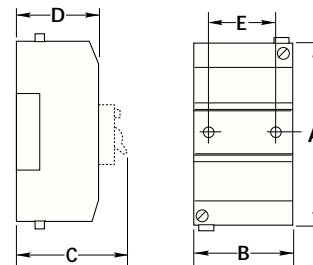
List No	A	B	C	D	E	F	G
CBE3	160	85	114	140	65	69	96



4 MODULE GENERAL PURPOSE ENCLOSURES IP20

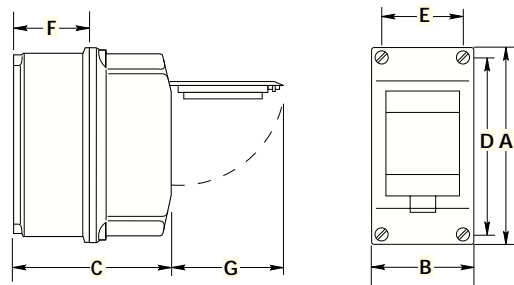
List No	A	B	*C	D	E
744/4	150	77	105	68	56
744/41	210	77	105	68	56

* Allow 4mm for dolly clearance.



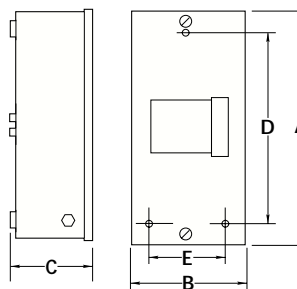
4 MODULE ALL-PURPOSE ENCLOSURE IP65

List No	A	B	C	D	E	F	G
CBE4	160	110	114	140	90	69	96



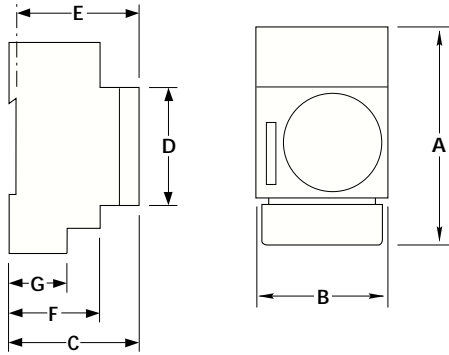
4 & 5 MODULE FABRICATED STEEL ENCLOSURE IP20

List No	A	B	C	D	E
844/4	223	112	66	184	73
EN100	412	340	115	305	229



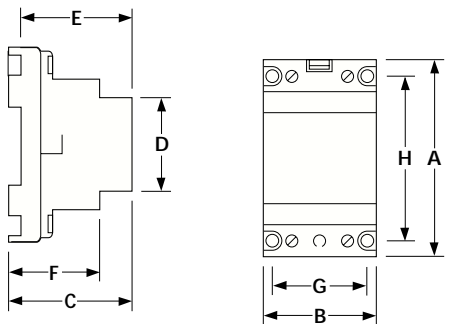
APPROXIMATE DIMENSIONS (mm)

TIME SWITCHES



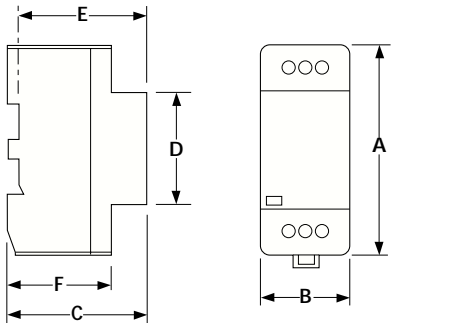
LIST No	A	B	C	D	E	F	G	H	J	K	L
Analogue											
303/TS24	90	54	66	45	60	46	-	-	-	-	-
303/TQ24	90	54	66	45	60	46	-	-	-	-	-
303/TQ7	90	54	66	45	60	46	-	-	-	-	-
Digital											
302/TD1	86	36	66	45	60	40	-	-	-	-	-
302/TD2	86	36	66	45	60	40	-	-	-	-	-
Staircase											
301/S7	84	18	70	45	60	43	25	-	-	-	-

BELL TRANSFORMER



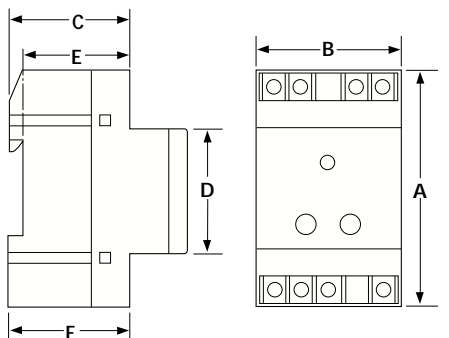
LIST No	A	B	C	D	E	F	G	H	J	K	L
303/B12	90	36	59	45	53	44	45	78	-	-	-

CONTACTORS & IMPULSE RELAYS



LIST No	A	B	C	D	E	F	G	H	J	K	L
301/C16DP	84	18	61	45	55	44	-	-	-	-	-
302/C25DP	80	36	61	45	55	44	-	-	-	-	-
302/C25TP	80	36	61	45	55	44	-	-	-	-	-
302/C25FP	80	36	59	45	53	44	-	-	-	-	-
303/C40DP	84	54	59	45	53	44	-	-	-	-	-
303/C40TP	84	54	59	45	53	44	-	-	-	-	-
303/C63TP	84	54	59	45	53	44	-	-	-	-	-
303/C63FP	84	54	59	45	53	44	-	-	-	-	-
301/I161	84	18	59	45	53	44	-	-	-	-	-
301/I162	84	18	59	45	53	44	-	-	-	-	-
301/I16CO	84	18	59	45	53	44	-	-	-	-	-

TWILIGHT SWITCH



LIST No	A	B	C	D	E	F	G	H	J	K	L
303/P2	86	54	66	45	60	46	116	61	27	25	-

