

## 200-H2

### Application and Performance Specifications

- **Description:** Electromagnetic ballast for (1) fluorescent lamp as indicated below:
- Line Voltage: 120 vac, + 5%, - 10%, 60Hz
- Rapid Start
- Low Power Factor

Typical Performance Data								
Lamp Type	#	Input Current (Amps)	Input Power (Watts)	Power Factor	Ballast Factor	Ballast Efficacy Factor	T.H.D. %	Crest Factor
<b>F20T12</b>	<b>1</b>	<b>0.3</b>	<b>20</b>	<b>&lt; .60</b>	<b>.83</b>	<b>4.15</b>	<b>&lt; 10</b>	<b>&lt; 1.7</b>
F19T8	1	0.26	18	> .60	.80	4.33	< 10	< 1.7
F18T8	1	0.28	19	< .60	.80	4.29	< 10	< 1.7
F15T8	1	0.32	20	< .60	1.05	5.13	< 10	< 1.7
F15T12	1	0.35	21	< .60	1.08	5.19	< 10	< 1.7
F14T8	1	0.36	19	< .60	.99	5.15	< 10	< 1.7
F14T12	1	0.37	20	< .60	.98	4.85	< 10	< 1.7

#### Performance:

- Designed in accordance with ANSI C82.1
- Compatible with PLC and IR systems
- Reactor type circuit

#### Safety:

- No PCB's
- UL listed (Indoor and Type 1 Outdoor)
- CSA Certified

#### Application:

- Minimum Starting Temperature: 50° F, 10° C
- Maximum Ballast Case Temperature not to exceed 90° C
- Sound Rated: A
- Remote Mounting: 20 feet with minimum 18 AWG (refer to TechNote # 7b for other wire sizes/lengths)

#### Mechanical:

- Length: 3"
- Width: 1.78125"
- Height: 1 5/16"
- Lead Length ( inches, ± 1 ):
  - Black 8
  - Black 15
- Weight: 0.65 lbs.

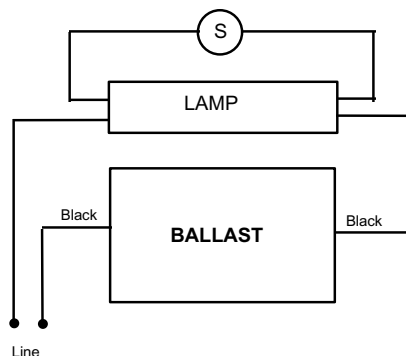
#### Overall Mounting

3" 2 3/4"

#### Warranty

The manufacturer warrants to the purchaser that each ballast will be free from defects in material or workmanship for a period of 24 months from date of manufacture when properly installed and under normal conditions of use.

**Manufactured in North America**



**Ballast must be grounded. Install in accordance with National Electric Code.**