

546-B-TC-P

Application and Performance Specifications

Description: Electromagnetic ballast for (1) lamp as indicated below:

- Line Voltage: 120 vac, + 5%, - 10%, 60Hz
- Trigger Start
- Low Power Factor

Typical Performance Data								
Lamp		Input Current (Amps)	Input Power (Watts)	Power Factor	Ballast Factor	Ballast Efficacy Factor	T.H.D. %	Crest Factor
Type	#							
F20T12	1	0.58	29	< .60	.82	2.83	< 10	< 1.7
F15T8	1	0.55	25	< .60	.89	3.50	< 10	< 1.7
F15T12	1	0.61	30	< .60	.96	3.23	< 10	< 1.7
F14T12	1	0.66	30	< .60	.86	2.87	< 10	< 1.7

Application and Performance Specification Information Subject to Change without Notification.

Performance:

- Designed in accordance with ANSI C82.1
- Compatible with PLC and IR systems
- Lag type circuit

Safety:

- No PCB's
- UL listed (Class P, Indoor and Type 1 Outdoor, HL)
- CSA Certified
- Thermally Protected

Application:

- Minimum Starting Temperature: 50° F, 10° C
- Maximum Ballast Case Temperature not to exceed 90° C
- Sound Rated: A
- Remote Mounting: 20 feet with minimum 18 AWG
(refer to TechNote # 7b for other wire sizes/lengths)

Mechanical:

- Length: 6 7/16"
 - Width: 1 7/8"
 - Height: 1 1/2"
 - Lead Length (inches, ± 1):
- | | |
|-------------|----|
| Black | 10 |
| White, Blue | 17 |
| Red (2) | 12 |
- Weight: 1.9 lbs.

Overall

Mounting

6 7/16"

6"

1 7/8"

1 1/2"

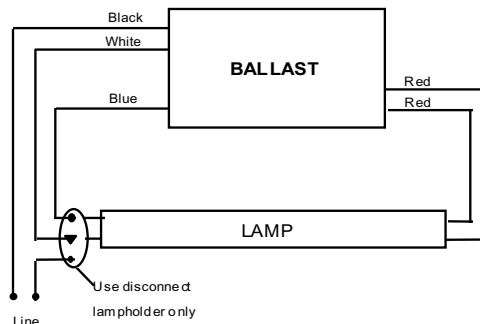
Footnotes:

* Requires one circuit-interrupting lampholder.

Warranty:

The manufacturer warrants to the purchaser that each electronic ballast will be free from defects in material or workmanship for a period of 24 months from date of manufacture when properly installed and under normal conditions of use.

Manufactured in North America



Ballast must be grounded. Install in accordance with National Electric Code.