

340-H2

Application and Performance Specifications

Description:

- Line Voltage: 120 vac, + 5%, - 10%, 60Hz
- Low Power Factor
- Preheat Start

Typical Performance Data								
Lamp		Input Current (Amps)	Input Power (Watts)	Power Factor	Ballast Factor	Ballast Efficacy Factor	T.H.D. %	Crest Factor
Type	#							
F25T12	1	0.42	29	< .60	.90	3.10	< 10	< 1.7

Application and Performance Specification Information Subject to Change without Notification.

Performance:

- Designed in accordance with ANSI C82.1
- Compatible with PLC and IR systems
- Reactor type circuit

Safety:

- No PCB's
- UL listed (Class P, Indoor and Type 1 Outdoor, HL)
- CSA Certified

Application:

- Minimum Starting Temperature: 50° F, 10° C
- Maximum Ballast Case Temperature not to exceed 90° C
- Sound Rated: A
- Remote Mounting: 20 feet with minimum 18 AWG
(refer to TechNote # 7b for other wire sizes/lengths)

Mechanical:

- Length:
- Width:
- Height:
- Lead Length (inches, ± 1):

Overall Mounting

3 1/16" 2 3/4"

1 25/32"

1.5"

Black 12

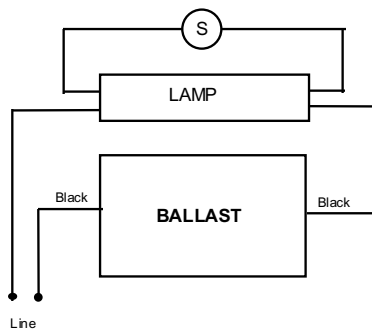
Black 22

- Weight: .70 lb.

Warranty:

The manufacturer warrants to the purchaser that each electronic ballast will be free from defects in material or workmanship for a period of 24 months from date of manufacture when properly installed and under normal conditions of use.

Manufactured in North America



Ballast must be grounded. Install in accordance with National Electric Code.