

## TRIAD® B232I120RH-A

### APPLICATION and PERFORMANCE SPECIFICATION

**Description:** High frequency electronic ballast for 1 or 2 F32T8 lamps (and others as indicated below)  
Also equivalent U-shaped lamps

- Line Voltage: 120vac, ±10%, 60Hz
- Parallel Lamp Operation
- Instant Start
- Passive Power Factor Correction

Lamps		Input Watts	Nominal Line Amps	Power Factor	Ballast Factor	Ballast Efficacy Factor	Harmonic Total	Crest Factor
Type	#							
<b>F32T8</b>	<b>2</b>	<b>58</b>	<b>0.49</b>	<b>&gt; .98</b>	<b>.88</b>	<b>1.52</b>	<b>&lt; 20%</b>	<b>&lt; 1.7</b>
F32T8	1	38	0.31	> .90	1.09	2.87	< 25%	< 1.7
F25T8	2	48	0.41	> .95	.93	1.94	< 20%	< 1.7
F17T8	2	34	0.31	> .90	.95	2.79	< 32%	< 1.7
F40T8	1	45	0.38	> .95	1.03	2.29	< 25%	< 1.7
F25T12	2	49	0.42	> .95	.93	1.90	< 20%	< 1.7

Application and Performance Specification Information Subject to Change without Notification.

**Performance:**

- Meets ANSI Standard C82.11-1993
- Meets ANSI Standard C62.41-1991
- Meets FCC Part 18 (Class A) for EMI and RFI  
Non-Consumer Limits
- Meets CSA Standard 654 for Ballast Efficiency

**Safety:**

- No PCB's
- UL listed  
(Class P, Type 1 Outdoor, Type HL)
- CSA Certified

**Application:**

- Minimum Starting Temperature: 0° F, -18° C
- Maximum Ambient Temperature: 105° F, 40° C
- Sound Rated: A
- Remote Mounting: 18 ft. max. lead length, 18 AWG
- Compatible with "Powerline Carrier" (PLC) Systems  
and/or infrared systems
- (2) F32T8 also operate on 140VDC input, (+)L (-)N

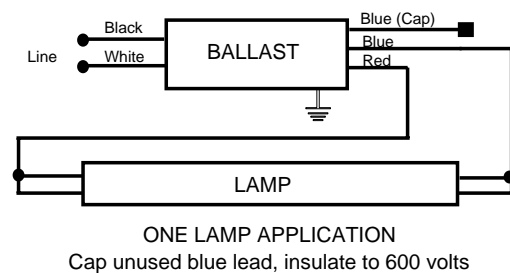
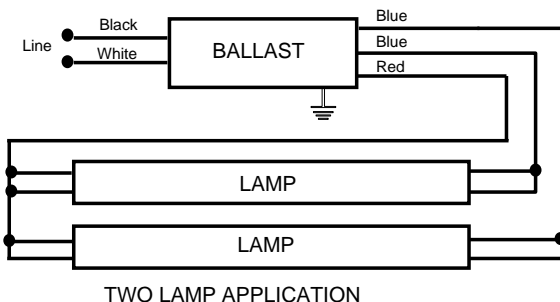
**Physical Parameters:**

- Length: 9.50"
- Width: 1.70"
- Height: 1.18"
- Weight: 1.7 lbs.
- Lead Length: White, Black 25" (± 1")
- Red 48" (± 1")
- Blue 31" (± 1")

**Warranty:**

The manufacturer warrants to the purchaser that each electronic ballast will be free from defects in material or workmanship for a period of 5 years from date of manufacture when properly installed and under normal conditions of use.

**Manufactured in North America**



**Ballast Must be Grounded**