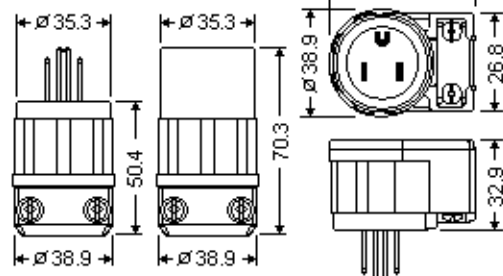


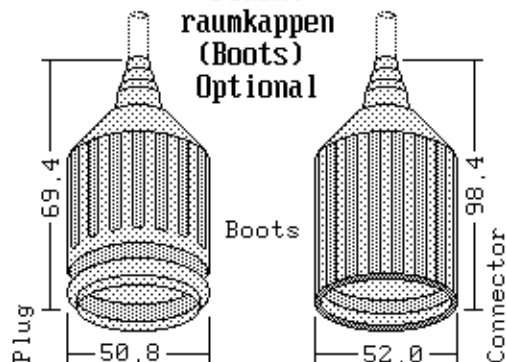
Dimensions = mm

Feuchtraumkappen / Boots:
for Plugs: for Connectors:#6017 Black #6018 Black
#6017 Yellow #6018 Yellow

Nylon Body

Used with Cable Rated
ST 10/3 to SVT 18/3

UL CSA

Dimensions
= mmFeucht-
raumkappen
(Boots)
Optional

Kabel Ø / Cord Dia 6.2 - 17.8mm

6017, 6017-Y

6018, 6018-Y

Stecker und Kupplungen, farbiges
Nylon Gehäuse, weißer Nylon
Körper, 2polig + Erde,
Industrierausführung

INDUSTRIAL SPECIFICATION GRADE

Plugs and Connectors, Colored Nylon
Cover, White Nylon Base,
2-Pole 3-Wire Grounding, Industrial

Catalog No.	NEMA	Vac	Amp	ANSI	Beschreibung/Description	Color	UPE/Pack
5266-CG	5-15P	125	15	C73.11	Stecker / Plug	Gray	50
5366-CG	5-20P	125	20	C73.12	Stecker / Plug	Gray	50
5269-CG	5-15R	125	15	C73.11	Kupplung / Connector	Gray	50
5369-CG	5-20R	125	20	C73.12	Kupplung / Connector	Gray	50
5266-CO	5-15P	125	15	C73.11	Stecker/Plug isolated Grd	Orange	50