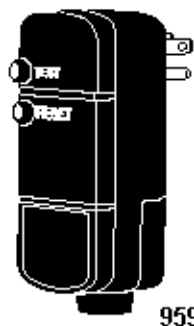
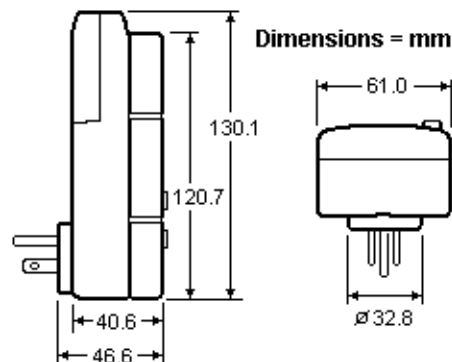


86593



9593



Dimensions = mm

Right Angle GFCI Plug

UL Standard 943 Class A
 UL Listed (E-48380)
 CSA Certified (LR-57811)

May be pre-wired to No. 14/3 SJTW-A cable of any specified length. Wiring module accepts No. 18 (7.6mm) thru No. 12 (11.4mm) cord sizes. Power indicator light goes off if GFCI trips or unit is unplugged

Catalog No.	Color	Rated	Configuration	Reset	Wght/ea	UPE/Pack	EDP No
6593	Black	15A-125V	NEMA 5-15	Automatic	280g	10	113504
6594	Yellow	15A-125V	NEMA 5-15	Manual	280g	10	113505
6893	Black	20A-125V	NEMA 5-20	Automatic	280g	10	113506
6894	Yellow	20A-125V	NEMA 5-20	Manual	280g	10	113507
86593	Clear	Waterproof cover for Right Angle GFCI Plugs with ground pin up orientation			150g	10	113508