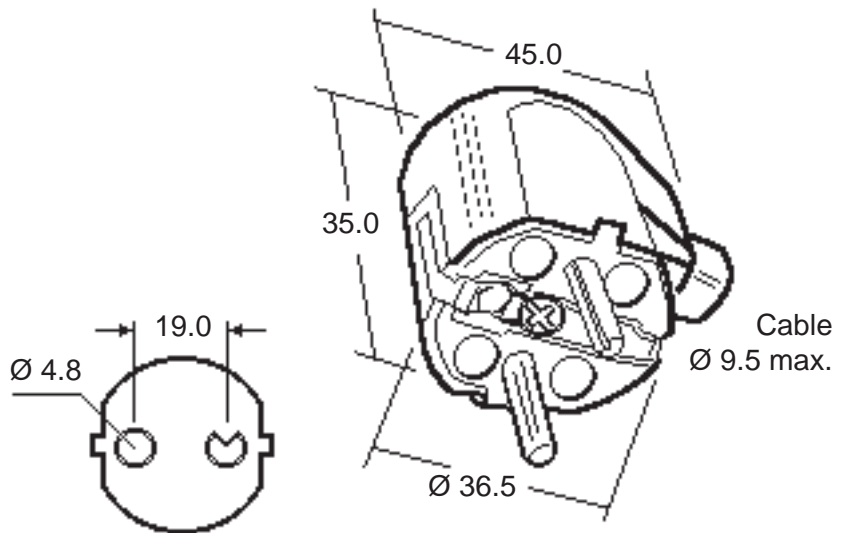




**WT20 DATA**  
(EDP-No. 117517)

## UNISCHUKO — WT20-DATA with special DATA-Pin

Angle plug with double earthing system  
(SCHUKO, France/Begium), 16A, 250Vac,  
2-Pole 3-Wire Grounding, plastic, white.



To learn more about B-I-A please visit us at our  
WEB site: [www.BiaGmbH.com](http://www.BiaGmbH.com)

