

Switzerland - Mains Line Plug Type 12, 10A, Round Pins

Mains Line Plug with Grounding Contact, Switzerland Version, SEV Type 12, Straight and Angled Cord Entry

Stecker mit Schutzkontakt, schweizer Ausführung, SEV Typ 12, gerade und Winkel-Kabeleinführung

SPECIFICATIONS

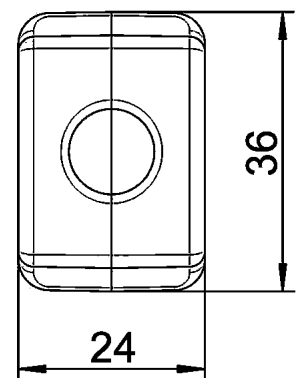
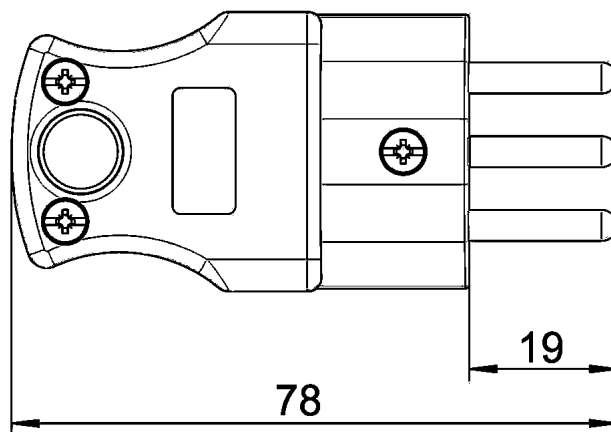
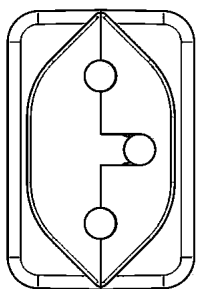
- **Electrical Ratings:**
250V AC, 10A
- **Standards according to:**
SEV 1011, SEV 6534-2, IEC 60884-1
- **Rewireable, for Supply Line:**
H05VV-F 3G1.0mm² and 3G1.5mm²
- **Material & Type of Terminals:**
CuZn 39 (screw terminals)
- **Material of Housing and Carrying Parts:**
Polyamide 6



585 WH

- **RoHS COMPLIANT 2002/96/EC**

Catalog No.	Color	Description	VPE / Packed	EDP-Nr.
585BK	Black	Plug, 10A, 250V AC, SEV Typ 12, Round Pins Ø 4 mm	50 ea	117481
585WH	White	Plug, 10A, 250V AC, SEV Typ 12, Round Pins Ø 4 mm	50 ea	117482



Dimensions in mm

Switzerland - Mains Line Plug Type 23, 16A, Rectangular Pins

Mains Line Plug with Grounding Contact, Switzerland Version, SEV Type 23, Straight and Angled Cord Entry

Stecker mit Schutzkontakt, schweizer Ausführung, SEV Typ 23, gerade und Winkel-Kabeleinführung

SPECIFICATIONS

- **Electrical Ratings:**
250V AC, 10A
- **Standards according to:**
SEV 1011, SN 5934-2, IEC 60884-1
- **Rewireable, for Supply Line:**
H05VV-F 3G1.5mm² and 3G2.5mm²
- **Material & Type of Terminals:**
CuZn 39 (screw terminals)
- **Material of Housing and Carrying Parts:**
Polyamide 6

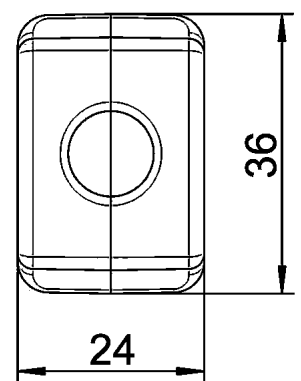
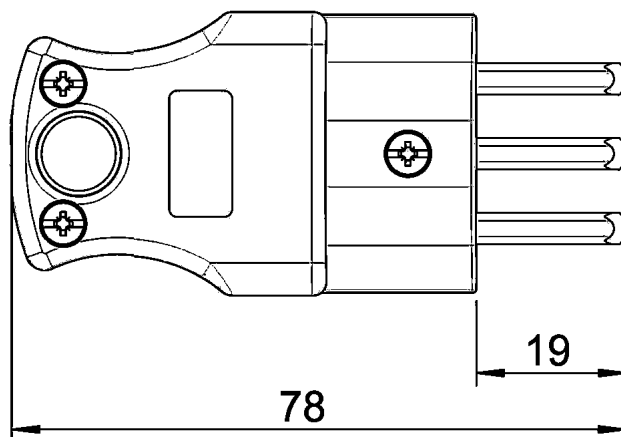
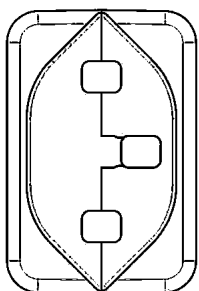


586 WH



- **RoHS COMPLIANT 2002/96/EC**

Catalog No.	Color	Description	VPE / Packed	EDP-Nr.
586BK	Black	Plug, 16A, 250V AC, SEV Typ 23, Pins (5 x 4) mm	50 ea	117339
586WH	White	Plug, 16A, 250V AC, SEV Typ 23, Pins (5 x 4) mm	50 ea	117338



Dimensions in mm