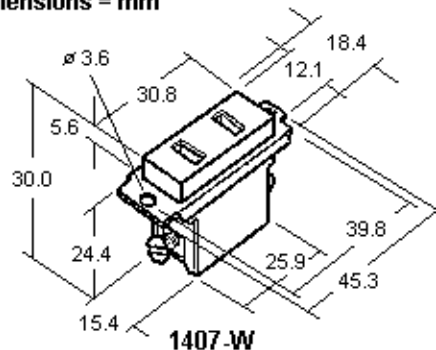


Dimensions = mm



### American - Contintal Type Receptacles, 2-Pole 2-Wire Non-Grounding

- For using American appliances in foreign countries.
- Terminal screws backed out - ready for wiring.
- Straps easily and permanently attached without special tools.

**NOTE:** UL standards do not apply. These devices are not available for U.S.A. consumption but are available for use in other countries.

Cat. No.	Color	Rating	Description	Wght/ea	UPE/Pack	EDP-No
1405-W	White	15A 120-277Vac	Universal 2-Pole Socket (Europe 19mm at $\varnothing$ 4.0mm) (USA Type NEMA 1-15R)	18g	100/10	116002
1407-W	White	15A 120-277Vac	American 2-Pole Socket (USA Type NEMA 1-15R)	19g	100/10	116016