

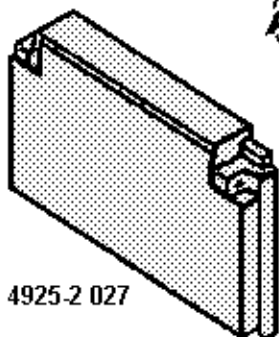


LISTED 27C8

 C US  
 U.S.A.  
 Canada

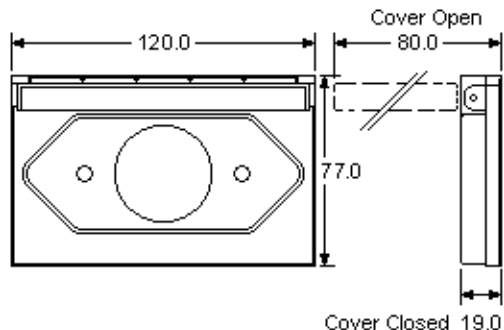
NOM

Mexico



4925-2 027

Dimensions = mm



1-Gang 1.406 Inch Hole Device, Switch or Receptacle Wallplate, Weather-Resistant, Die-Cast Zinc, Device Mount, Horizontal Self Closing Lid, cUL/NOM/ANCE Gasket and 2 Mounting Screws included

Abdeckung horizontal, Feuchtraum, 1-fach, für Schalter oder Steckdose, Zentralloch max.  $\varnothing$  35.7mm selbstschliessender Klappdeckel, Gerätemontage, cUL/NOM/ANCE inkl. Dichtung + Montageschrauben

| Catalog No. | Color | Description                                | Wght/ea | UPE/Pack | EDP-No |
|-------------|-------|--|---------|----------|--------|
| 4925-2 027  | Gray  | Single $\varnothing$ 35.7mm Hole Wallplate | 256g    | 30       | 118794 |