

United Kingdom - Interiors and Panel Mounting Products



INTERIORS & PANEL MOUNTING

Interiors and panel mounting products, which complement the extensive Capital and Rockergrid ranges, are available to suit many applications.

The Capital range of Switched Sockets and Fused Control Units are available with metal capped rockers.

Most Capital Products can also be supplied in black as standard – ideal for brassware manufacturers.



4314/1BK

4316/1

13A SWITCHED SOCKET OUTLETS

	PACK QTY	
1 gang SP	10	4314/1
2 gang SP	5	4316/1
1 gang SP complete with neon and lens	10	4314/13
2 gang SP complete with neon and lens	5	4316/13

Black mouldings also available – Add suffix **BK** to List No.

Double pole switching also available to order – Add suffix **D** to List No. eg 4314/1 switched in Black = 4314/1**DBK**

- Supplied Complete with two earth terminals



8255/1

8257/1

13A UNSWITCHED SOCKET OUTLETS

	PACK QTY	
1 gang unswitched	10	8255/1
2 gang unswitched	5	8257/1
1 gang round socket with side entry terminals and north/south fixings	10	7259*

The 7259 panel mounting socket is suitable for use in any panel or trunking material up to 2.5mm thickness and can be incorporated into a minimum overall internal depth of only 22.5mm.

Black mouldings also available, Add Suffix **BK** to List No. eg 8255/1**BK**.

* Not available in Black.

United Kingdom - Interiors and Panel Mounting Products



FUSED CONNECTION UNITS

	PACK QTY	
13A unswitched	10	4831/1
13A DP switched	10	4832/1
13A DP switched complete with neon and lens	10	4832/13
13A unswitched with cord outlet	10	4836/1
13A DP switched with cord outlet	10	4837/1
13A DP switched with cord outlet complete with neon and lens	10	4837/13

Black interiors also available – Add suffix **BK** to List No. eg 4832/1 switched in Black = 4832/1BK



13A SAFETY SOCKET WITH RCD PROTECTION

BS 7288	PACK QTY	
2 gang switched with neon indicator 30mA tripping current	1	4416/A103

See page 119 for further information.

- Supplied Complete with two earth terminals



METAL CAPPED ROCKERS 13A SWITCHED SOCKET OUTLETS

	PACK QTY	
1 gang SP	10	4314/16/_ _
2 gang SP	5	4316/16/_ _
1 gang SP complete with neon and lens	10	4314/136/_ _
2 gang SP complete with neon and lens	5	4316/136/_ _

Black mouldings also available – Add suffix **BK** to List No.

Double pole switching also available to order – Add suffix **D** to List No.

eg 4314/1 switched = 4314/16**DBK/SC**

Finishes available are: Satin Chrome (**SC**), Bronze (**BZ**), Polished Brass (**PB**), Highly Polished Chrome (**HPC**) & Stainless Steel (**SS**).

- Supplied Complete with two earth terminals

United Kingdom - Interiors and Panel Mounting Products



METAL CAPPED ROCKERS FUSED CONNECTION UNITS

	PACK	QTY	
13A DP switched	10		4832/16/_ _
13A DP switched complete with neon and lens	10		4832/136/_ _
13A DP switched with cord outlet	10		4837/16/_ _
13A DP switched with cord outlet complete with neon and lens	10		4837/136/_ _

Black interiors also available – Add suffix **BK** to List No.

Finishes available are: Satin Chrome (**SC**), Bronze (**BZ**), Polished Brass (**PB**), Highly Polished Chrome (**HPC**) & Stainless Steel (**SS**).



2A, 5A, 15A ROUND PIN SOCKET OUTLETS

	PACK	QTY	
5A shuttered SP	10		2240/1*
15A shuttered SP	10		2272/1
2A 3 pin unswitched shuttered	10		8075/1*

* Black mouldings also available – Add suffix **BK** to List No.

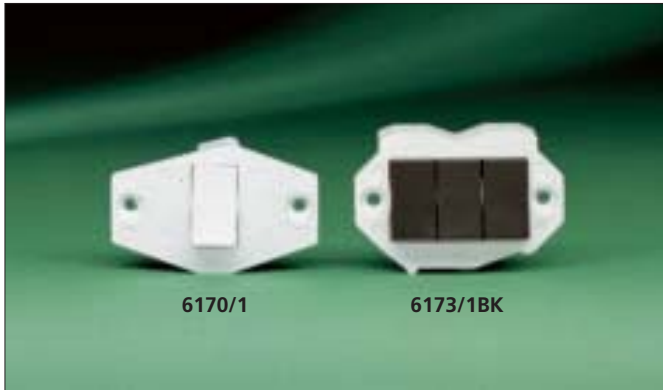


45A DP 'SLIMLINE' COOKER CONTROL UNITS

	PACK	QTY	
45A DP main switch and 13A switch socket outlet	5		4522/1
45A DP main switch and 13A switch socket outlet with neon indicators	5		4522/13

Black interiors also available – Add suffix **BK** to List No.

United Kingdom - Interiors and Panel Mounting Products



10AX SWITCHES

	PACK QTY	
1 gang retractive marked 'press'	10	6096/1
1 gang 2 way	10	6170/1
2 gang 2 way	10	6172/1
3 gang 2 way	10	6173/1
1 gang intermediate	10	6175/1

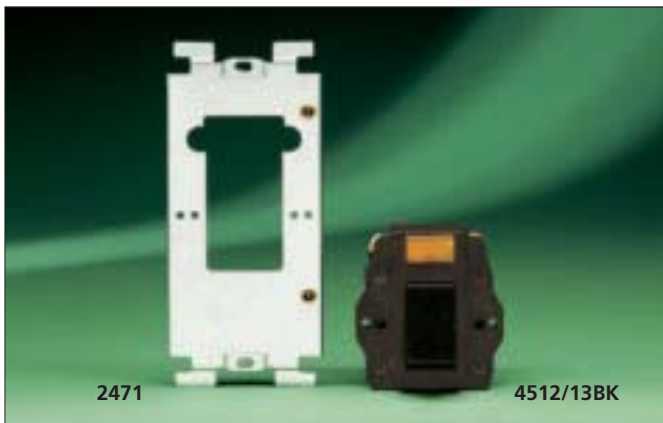
*Interiors with Black rockers available – Add suffix **BK** to List No.*



20A/32A DP SWITCHES

	PACK QTY	
20A DP	10	4011/1
20A DP complete with neon and lens	10	4011/13
32A DP	10	4012/1
32A DP complete with neon and lens	10	4012/13

*Interiors with Black rockers available – Add suffix **BK** to List No.*



50A DP SWITCHES

	PACK QTY	
50A DP	10	4512/1
50A DP with neon indicator	10	4512/13

*Black interiors also available – Add suffix **BK** to List No.*

*When specifying the above items a mounting grid, Part No. **2471**, is also required.*

Grid fitted with earth terminal.

To learn more about B-I-A please visit us at our
WEB site: www.BiaGmbH.com



United Kingdom - Interiors and Panel Mounting Products



CO-AXIAL SOCKET OUTLETS

	PACK QTY	
1 way direct connection	1	8265/1
2 way direct connection	1	8266/1
1 way isolated VHF, UHF	1	8267/1
2 way isolated VHF, UHF	1	8268/1

*Isolated units only suitable on installations with earth bond.
Black interiors also available – Add suffix **BK** to List No.*



TELEPHONE OUTLETS

	PACK QTY	
Master	10	8283/1
Secondary	10	8284/1

*Black interiors also available – Add suffix **BK** to List No.
Supplied with loose earth terminal.*

To learn more about B-I-A please visit us at our
WEB site: www.BiaGmbH.com



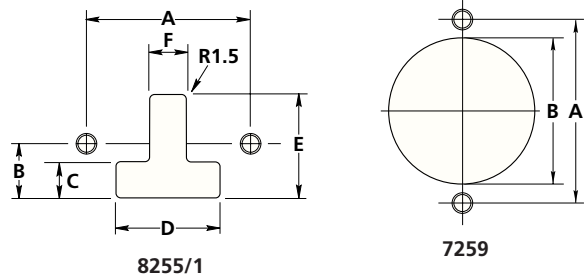
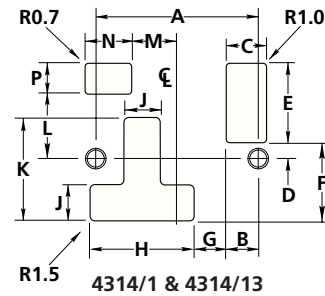
PANEL CUT-OUT DETAILS

CAPITAL 13A SINGLE SOCKET OUTLET INTERIORS

List No	*A	B	C	D	E	F	G	H	J	K	L	M	N	P
4314/1	60.3	12.0	15.4	5.7	28.6	30.4	10.8	38.8	14.2	38.4	-	-	-	-
4314/13	60.3	12.0	15.4	5.7	28.6	30.4	10.8	38.8	14.2	38.4	23.4	16.8	16.6	10.5
7259	60.3	50.0	-	-	-	-	-	-	-	-	-	-	-	-
8255/1	60.3	19.8	14.3	38.9	38.4	14.3	-	-	-	-	-	-	-	-

* Fixing holes drill to accept 4mm countersunk screws.

Max panel thickness 1.6mm (except 7259 – 2.5mm).

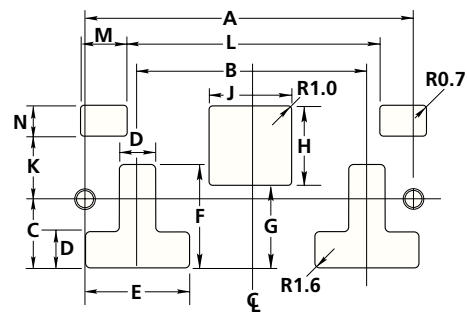


CAPITAL 13A TWIN SOCKET OUTLET INTERIORS

List No	*A	B	C	D	E	F	G	H	J	K	L	M	N
4316/1	120.6	84.4	24.7	14.2	38.8	38.4	30.4	28.6	29.9	-	-	-	-
4316/13	120.6	84.4	24.7	14.2	38.8	38.4	30.4	28.6	29.9	23.4	94.1	16.6	10.5
8257/1	120.6	66.7	19.8	14.3	38.9	38.4	-	-	-	-	-	-	-

* Fixing holes drill to accept 4mm countersunk screws.

Max panel thickness 1.6mm.



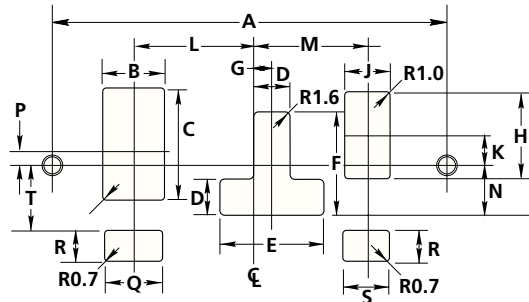
CAPITAL 45A DP 'SLIMLINE' COOKER CONTROL UNIT INTERIORS

List No	*A	B	C	D	E	F	G	H	J	K	L	M	N	P
4522/1	120.6	21.7	40.2	14.2	38.8	38.4	7.6	30.2	17.0	10.0	40.5	41.6	19.2	5.0
4522/13	120.6	21.7	40.2	14.2	38.8	38.4	7.6	30.2	17.0	10.0	40.5	41.6	19.2	5.0

List No	Q	R	S	T
4522/13	21.5	10.5	16.6	25.75

* Fixing holes drill to accept 3.5mm countersunk screws.

Max panel thickness 1.6mm.

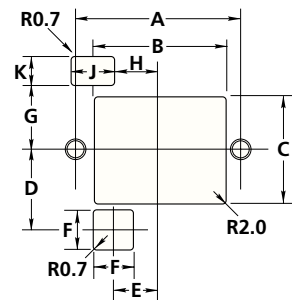


CAPITAL 13A FUSED CONNECTION UNIT INTERIORS

List No	*A	B	C	D	E	F	G	H	J	K
4831/1	60.3	22.0	38.0	-	-	-	-	-	-	-
4832/1	60.3	48.0	38.0	-	-	-	-	-	-	-
4832/13	60.3	48.0	38.0	-	-	-	23.4	16.8	16.6	10.5
4836/1	60.3	22.0	38.0	29.0	17.0	14.0	-	-	-	-
4837/1	60.3	48.0	38.0	29.0	17.0	14.0	-	-	-	-
4837/13	60.3	48.0	38.0	29.0	17.0	14.0	23.4	16.8	16.6	10.5

* Fixing holes drill to accept 4mm countersunk screws.

Max panel thickness 1.6mm.



All dimensions in mm. General tolerance ± 0.13 mm. These dimensions are a guideline only, more detailed drawings are available upon request.

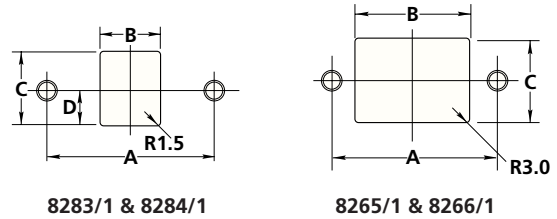
PANEL CUT-OUT DETAILS

CAPITAL TELEPHONE & CO-AXIAL OUTLETS

List No	*A	B	C	D	List No	*A	B	C
8283/1	60.3	20.3	23.3	16.2	8265/1	60.3	21	30
8284/1	60.3	20.3	23.3	16.2	8266/1	60.3	41	30

* Fixing holes drill to accept 3.5mm countersunk screws. * Fixing holes drill to accept 4mm countersunk screws.

Max panel thickness 1.7mm. Max panel thickness 1.6mm.

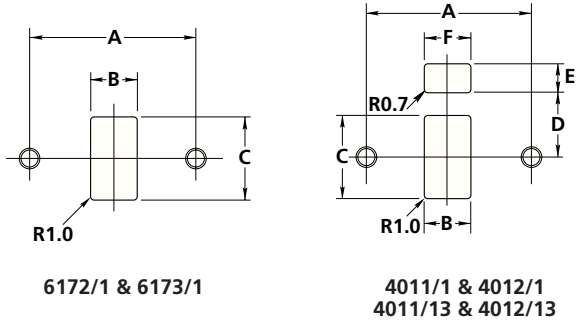


CAPITAL 10AX/20A/32A SWITCH INTERIORS

List No	*A	B	C	D	E	F
All 1 gang	60.3	17.1	30.6			
6172/1	60.3	33.4	30.6			
6173/1	60.3	49.7	30.6			
4011/1 & 4012/1	60.3	17.1	30.6	-	-	-
4011/13 & 4012/13	60.3	17.1	30.6	23.7	10.5	16.6

* Fixing holes drill to accept 4mm countersunk screws.

Max panel thickness 2.5mm.

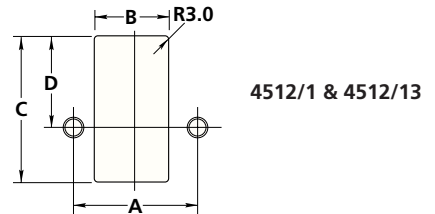


CAPITAL 50A DP SWITCHES

List No	*A	B	C	D
4512/1	52	31	61.3	38.5
4512/13	52	31	61.3	38.5

* Fixing holes drill to accept 3.5mm countersunk screws.

Max panel thickness 2.5mm.

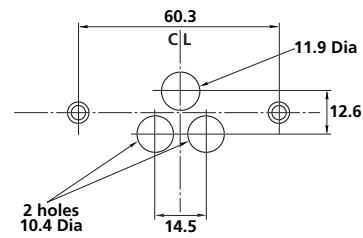


CAPITAL 2A ROUND PIN SOCKET OUTLETS

List No
8075/1

* Fixing holes drill to accept 3.5mm countersunk screws.

Max panel thickness 1.6mm.

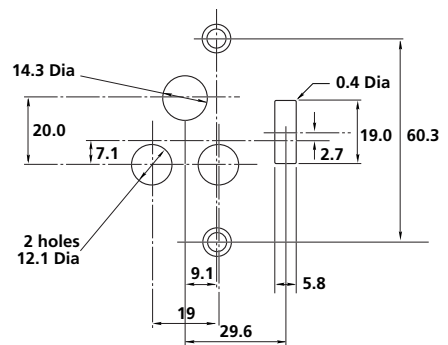


CAPITAL 5A ROUND PIN SOCKET OUTLETS

List No
2240/1

* Fixing holes drill to accept 3.5mm countersunk screws.

Max panel thickness 1.6mm.

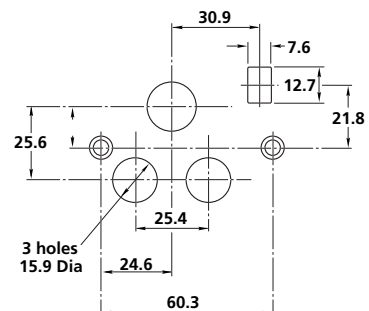


CAPITAL 15A ROUND PIN SOCKET OUTLETS

List No
2272/1

* Fixing holes drill to accept 3.5mm countersunk screws.

Max panel thickness 1.6mm.



All dimensions in mm. General tolerance ± 0.13 mm. These dimensions are a guideline only, more detailed drawings are available upon request.

PANEL CUT-OUT DETAILS

ROCKERGRID TOGGLE SWITCH PLATES

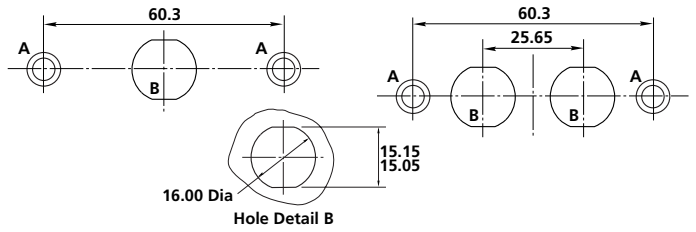
List No

6551/_ _ - 1 gang

6552/_ _ - 2 gang

* Fixing holes drill to accept 3.5mm countersunk screws.

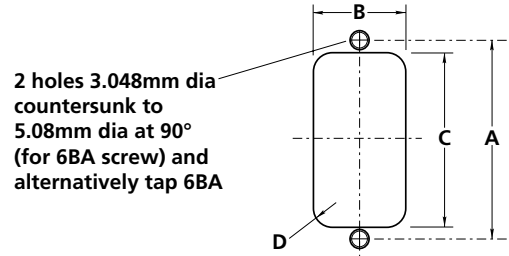
Max panel thickness 1.6mm.



ROCKERGRID PANEL CUT OUT DETAILS

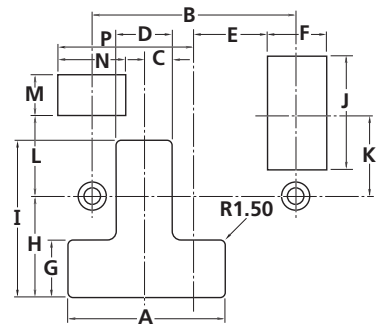
For Rockergrid switches and accessories, single screw fixing to grid, second fixing hole facilitates panel mounting if required. Extra screws to order.

Dimensions
 A = 40mm
 B = 18mm
 C = 35mm
 D = 3mm



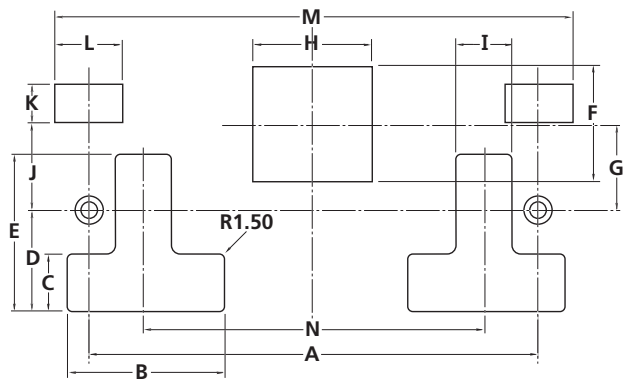
PLATINUM 13A SINGLE SOCKET OUTLET

List No	A	B	C	D	E	F	G	H	I	J	K	L	M	N	P
1314/1	38.4	50.0	12.0	13.8	18.7	14.4	13.8	24.5	38.0	28.5	20.0	-	-	-	-
1314/13	38.4	50.0	12.0	13.8	18.7	14.4	13.8	24.5	38.0	28.5	20.0	19.65	10.30	16.30	33.15



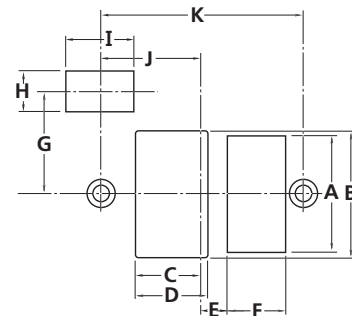
PLATINUM 13A TWIN SOCKET OUTLET

List No	A	B	C	D	E	F	G	H	I	J	K	L	M	N
1316/1	110	38.4	13.8	24.5	38.0	28.5	20.0	29.0	13.8	-	-	-	-	-
1316/13	110	38.4	13.8	24.5	38.0	28.5	20.0	29.0	13.8	20.15	10.3	16.3	127.3	84.4



PLATINUM 13A FUSED CONNECTION UNIT

List No	A	B	C	D	E	F	G	H	I	J	K
1832/1	27.7	30.5	1.50	17.75	6.20	14.60	-	-	-	-	50.0
1832/13	27.7	30.5	1.50	17.75	6.20	14.60	24.8	10.2	16.2	25.0	50.0

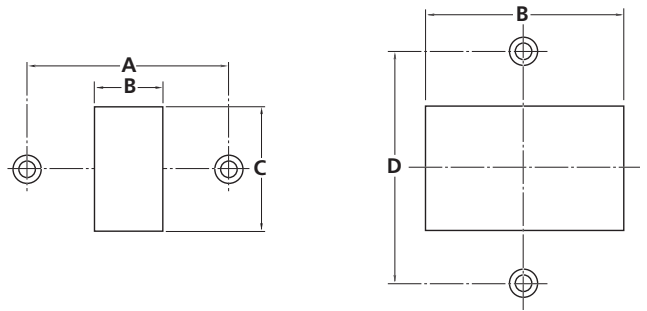


All dimensions in mm. General tolerance ± 0.13 mm. These dimensions are a guideline only, more detailed drawings are available upon request.

PANEL CUT-OUT DETAILS

PLATINUM 10AX SWITCH

List No	A	B	C	D
1170/1	50.0	16.5	30.0	-
1096/1	50.0	16.5	30.0	-
1172/1	50.0	32.8	30.0	-
1173/1	-	49.5	30.0	55.8



These Dimensions are a guideline only, more detailed drawings are available upon request.

To learn more about B-I-A please visit us at our
 WEB site: www.BiaGmbH.com

