

Excel Range switches 230 - 240V a.c.

Excel Range



Pack	Cat No.	Description
		Switches are supplied with Cat. No. 770M unless otherwise specified. These are interchangeable with any 770, 769, 707 series mechanism. Available to Public Works Department (PWD) specification with rear-screwed plate mounting of mechanisms. Vertical standard size switches Plate size 73 x 117mm. Mounting centres: 84mm
10	XL770/0	Blank grid with blank cover
10	XL770/1	10A 1 gang standard size switch
10	XL770/2	10A 2 gang standard size switch
10	XL770/3	10A 3 gang standard size switch
10	XL770/4	10A 4 gang standard size switch
10	XL770/5	10A 5 gang standard size switch
10	XL770/6	10A 6 gang standard size switch



Pack	Cat No.	Description
		Architrave switches Plate size 35 x 84mm. Mounting centres: 70mm. Suitable for horizontal and vertical mounting.
10	XLA770/1	10A 1 gang architrave switch, 35 x 84mm, 70mm mounting centres
10	XLA770/2	10A 2 gang architrave switch, 35 x 84mm, 70mm mounting centres
10	XLA770/3	10A 3 gang architrave switch, 35 x 110mm, 95mm mounting centres
10	XLA770/4	10A 4 gang architrave switch, 35 x 135mm, 120mm mounting centres



Pack	Cat No.	Description
		Horizontal standard size switches Plate size 117 x 73mm. Mounting centres: 84mm
10	XL770/1H	10A 1 gang standard size switch
10	XL770/2H	10A 2 gang standard size switch
10	XL770/3H	10A 3 gang standard size switch
10	XL770/4H	10A 4 gang standard size switch
10	XL770/5H	10A 5 gang standard size switch
10	XL770/6H	10A 6 gang standard size switch

Pack	Cat No.	Description
		Standard size weatherproof switches, IP56 Plate size 73 x 117mm. Mounting centres: 84mm. Weatherproof to IP56, in one or two-gang arrangement.
3	XLW770H1	10A 1 gang standard size switch for horizontal mounting
3	XLW770H2	10A 2 gang standard size switch for horizontal mounting
3	XLW770V1	10A 1 gang standard size switch for vertical mounting
3	XLW770V2	10A 2 gang standard size switch for vertical mounting

Excel Range



Pack	Cat No.	Heavy duty rocker switches, range switch isolators
		Plate size 73 x 117mm. Mounting centres: 84mm. Mechanism size 41 x 63 x 13mm deep from back of plate.
10	XL1036	40A, 240V a.c. single pole switch with looping terminals
10	XL1036N	40A, 240V a.c. single pole switch with neon indicator
10	XL1036P	40A, 415V a.c. double pole switch & terminal for common neutral & earth
10	XL1036PN	40A, 415V a.c. double pole switch with neon indicator & terminal for common neutral & earth



Pack	Cat No.	Time delay switches
		Plate size 73 x 117mm. Mounting centres: 84mm. Available in white only. Cover plates in various colours are sold separately - refer to Excel accessories, switch cover plates.
3	XLTX770/1	10A time delay switch, 3-wire. Push start/push restart. 1 sec to 239 hrs time adjustment.
3	XLTX770/1A	10A time delay switch, 2-wire. Push start/push restart. 1 sec to 239 hrs time adjustment.
3	XLTX770/1NC	10A time delay switch, 3-wire. Push start/push restart, normally closed contacts. 1 sec to 239 hrs time adjustment.
3	XLTX770/2	10A time delay switch, 3-wire. Push start/push stop. 1 sec to 239 hrs time adjustment.
3	XLTX770/2A	10A time delay switch, 2-wire. Push start/push stop. 1 sec to 239 hrs time adjustment.
3	XLTX770/2NC	10A time delay switch, 3-wire. Push start/push stop, normally closed contacts. 1 sec to 239 hrs time adjustment.

3	XLTX770/3	10A repeat cycle timer, 3-wire. Choice of 8 time cycles - 15s, 1 min, 5 min, 15 min, 1 hr, 4 hrs, 12 hrs, 24 hrs.
3	XLTX770/3A	10A repeat cycle timer, 2-wire. Choice of 8 time cycles - 15s, 1 min, 5 min, 15 min, 1 hr, 4 hrs, 12 hrs, 24 hrs.
3	XLTF770/1	Fan time delay, 2-wire: 3, 10 & 20 minutes
3	XLTD770/1	2.5A time delay switch, 2-wire. 1, 3 & 10 minutes, push start/push restart



Pack	Cat No.	Light switch with timer
		Plate size 117 x 73mm. Mounting centres: 84mm. Available in white only. Auto, manual or random operation. 500W incand. 500VA dichroic/fluoro/fan motors. 7VA min load. EMC complaint.
10	XL770T	1 gang light switch with programmable digital 24hr & 7 day timer. Vertical mounting.
10	XL770TH	1 gang light switch with programmable digital 24hr & 7 day timer. Horizontal mounting.



Pack	Cat No.	Automatic light switch
		Plate size 73 x 117mm. Mounting centres: 84mm. Available in white only. Cover plates in various colours are sold separately - refer to Excel Range accessories switch cover plates.
10	XL632	Automatic light switch for internal use. Rated 600VA, min load 7VA. Vertical mounting. Light switches on automatically when someone enters the room and switches off after a preset time if no further movement detected. Manual override.

Excel Range



Pack	Cat No.	Remote controlled switch
3	XL770/2RX	Plate size: 73 x 117mm. Mounting centres: 84mm. Available in white only. Cover plates in various colours are sold separately - refer to Excel Range accessories/switch cover plates. Remote/touch switch rated 600VA, min load 7VA. Remote control (included) range up to 9m.



Pack	Cat No.	Keylock Switches
10	XL770/1KLI	10A keylock switch, with key removable in on position
10	XL770/1KLO	10A keylock switch, with key removable in off position
10	XL770/1KLI0	10A keylock switch, with key removable in on or off position



Pack	Cat No.	KeyTag switches
10	XL770KT1	Plate size: 73 x 117mm. Mounting centres: 84mm. Supplied with Cat. No. 770/20KTM switches inside pockets, Cat. No. 707M neons (opal in pocket, red outside), Cat. No. 770T3 blank tag. The KeyTag mechanisms supplied are interchangeable with other mechs. Detailed below. Base pocket style KeyTags are available with plastic cover plates only.
10	XL770KT2	2 x 20A switches & neon in base pocket
10	XL770KT2	2 x 20A switches & neon in base pocket, 10A independent switch above

10	XL770KT3	2 x 20A switches & neon in base pocket, 10A independent switch & neon above
10	XL770KT4	3 x 20A switches in base pocket
10	XL770KT5	3 x 20A switches in base pocket, 10A independent switch above
10	XL770KT6	3 x 20A switches in base pocket, 10A independent switch & neon above
10	XL770KT7	2 x 20A switches & neon in top pocket
10	XL770KT8	2 x 20A switches & neon in top pocket, 10A independent switch below
10	XL770KT9	2 x 20A switches & neon in top pocket, 10A independent switch & neon below
10	XL770KT10	3 x 20A switches in top pocket
10	XL770KT11	3 x 20A switches in top pocket, 10A independent switch below
10	XL770KT12	3 x 20A switches in top pocket, 10A independent switch & neon below
10	XL770KT13	3 x 20A switches & neon in base pocket
10	XL770KT14	4 x 20A switches in base pocket
10	XL770KT15	3 x 20A switches & neon in top pocket
10	XL770KT16	4 x 20A switches in top pocket
10	770T3	KeyTags Keytag, 100mm long, with removable insert



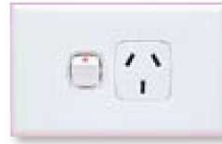
Pack	Cat No.	VingCard KeyTag switches
10	XL770VCKT1	Plate size: 73 x 117mm. Mounting centres: 84mm. Available in white only. Activation by insertion of a VingCard (not supplied). Base pocket style KeyTags are available with plastic cover plates only.
10	XL770VCKT1	2 x 20A switches & neon in base pocket
10	XL770VCKT3	2 x 20A switches & neon in base pocket, 10A independent switch & neon above
10	XL770VCKT4	3 x 20A switches in base pocket
10	XL770VCKT5	3 x 20A switches in base pocket, 10A independent switch above
10	XL770VCKT6	3 x 20A switches in base pocket, 10A independent switch & neon above

Excel Range

Excel Range permanent connection units

5	XLP770/2PC	2 gang plate with cord clamp, 1 x 10A mech
5	XLP770/2PC15	2 gang plate with cord clamp, 1 x 15A mech

Excel Range powerpoints 230 - 240V a.c.



Pack	Cat No.	Single powerpoints Plate size: 117 x 73mm. Mounting centres: 84mm
10	XL787	10A single powerpoint
10	XL787S	10A single powerpoint with safety shutter
10	XL787NS	10A single powerpoint with neon & safety shutter
10	XL787R	10A single powerpoint with round earth
10	XL787RS	10A single powerpoint with round earth & safety shutter
10	XL787RNS	10A single powerpoint with round earth, neon & safety shutter
10	XL787/15	15A single powerpoint
10	XL787/15S	15A single powerpoint with shutters
10	XL787/15NS	15A single powerpoint with neon & safety shutter
10	XL787/20	20A single powerpoint
10	XL787/20N	20A single powerpoint with neon
10	XL787/25	25A single powerpoint
10	XL787/25N	25A single powerpoint with neon
10	XL787/32	32A single powerpoint
Single powerpoints, double pole Plate size: 117 x 73mm. Mounting centres: 84mm		
10	XL787P	10A single powerpoint, double pole
10	XL787PN	10A single powerpoint, double pole with neon
10	XL787PR	10A single powerpoint, double pole with round earth

10	XL770VCKT7	2 x 20A switches & neon in top pocket
10	XL770VCKT8	2 x 20A switches & neon in top pocket, 10A independent switch below
10	XL770VCKT9	2 x 20A switches & neon in top pocket, 10A independent switch & neon below
10	XL770VCKT10	3 x 20A switches in top pocket
10	XL770VCKT11	3 x 20A switches in top pocket, 10A independent switch below
10	XL770VCKT12	3 x 20A switches in top pocket, 10A independent switch & neon below
10	XL770VCKT13	3 x 20A switches & neon in base pocket
10	XL770VCKT14	4 x 20A switches in base pocket
10	XL770VCKT15	3 x 20A switches & neon in top pocket
10	XL770VCKT16	4 x 20A switches in top pocket



Pack	Cat No.	KeyCard switches Plate size: 73 x 117mm. Mounting centres: 84mm. Available in white only. Activation by insertion of a room access card, (not supplied). Base pocket style KeyTags are available with plastic cover plates only.
10	XL770KM1	2 x 20A switches & neons in base pocket
10	XL770KM2	2 x 20A switches & neons in base pocket, 10A independent switch above
10	XL770KM3	2 x 20A switches & neons in base pocket, 10A independent switch & neon above
10	XL770KM7	2 x 20A switches & neons in top pocket
10	XL770KM8	2 x 20A switches & neons in top pocket, 10A independent switch below
10	XL770KM9	2 x 20A switches & neons in top pocket, 10A independent switch & neon below



Pack	Cat No.	Single powerpoints with extra switch Plate size: 117 x 73mm. Mounting centres: 84mm
5	XL787X	10A single powerpoint with extra switch
5	XL787XS	10A single powerpoint with extra switch & safety shutter
5	XL787XNS	10A single powerpoint with extra switch, neon & safety shutter
5	XL787XR	10A single powerpoint with extra switch & round earth
10	XL787XRS	10A single powerpoint with extra switch, round earth & safety shutter



Pack	Cat No	Single powerpoints with engraved inserts Plate size: 117 x 73mm. Mounting centres: 84mm
10	XL787XI	10A single powerpoint, 'Not safety switch protected' insert



Pack	Cat No	Single powerpoints with blanking inserts Plate size: 117 x 73mm. Mounting centres: 84mm
5	XL787ID	10A single powerpoint with white ID insert
5	XL787IDCL	10A single powerpoint with clear ID insert



Pack	Cat No.	No-volt powerpoints Plate size: 117 x 73mm. Mounting centres: 84mm When power to the circuit is interrupted (no volt) the relay drops out. After power is restored, the relay must be manually reset. Ideal for load shedding of non essential loads. Allows greater restart without in-rush loads.
5	XL787XNV	10A single powerpoint with extra switch, no volt
5	XL787XNV15	15A single powerpoint with extra switch



Pack	Cat No	Vertical single powerpoints Plate size: 73 x 117mm. Mounting centres: 84mm
10	XLV787	10A vertical single powerpoint
10	XLV787S	10A vertical single powerpoint with safety shutter
10	XLV787R	10A vertical single powerpoint with round earth
10	XLV787RS	10A vertical single powerpoint with round earth & safety shutter
5	XLV787/15	15A vertical single powerpoint
		Vertical single powerpoints with extra switch Plate size: 73 x 117mm. Mounting centres: 84mm
5	XLV787X	10A vertical single powerpoint with extra switch
5	XLV787XS	10A vertical single powerpoint with extra switch & safety shutter



Pack	Cat No.	Single powerpoints with 2 extra switches Plate size: 117 x 73mm. Mounting centres: 84mm
5	XL787/2X	10A single powerpoint with 2 extra switches
10	XL787/2XS	10A single powerpoint with 2 extra switches & safety shutter



Pack	Cat No	Vertical single powerpoints with 2 extra switches Plate size: 73 x 117mm. Mounting centres: 84mm
10	XLV787/2X	10A vertical single powerpoint with 2 extra switches
10	XLV787/2XS	10A vertical single powerpoint with 2 extra switches & safety shutters



Pack	Cat No.	Double powerpoints with extra switch Plate size: 117 x 73mm. Mounting centres: 84mm
10	XL777X	10A double powerpoint with extra switch
10	XL777XS	10A double powerpoint with extra switch & safety shutters
10	XL777XNS	10A double powerpoint with extra switch, 2 neons & safety shutters
10	XL777X3NS	10A double powerpoint with extra switch, 3 neons & safety shutters
1	XL777XCH	10A double powerpoint, chemical resistant
10	XL777XD	10A double powerpoint with extra duo switch
10	XL777X15	15A double powerpoint with extra switch
10	XL777X15NS	15A double powerpoint with extra switch, 2 neons & safety shutters



Pack	Cat No.	Double powerpoints Plate size: 117 x 73mm. Mounting centres: 84mm
10	XL777	10A double powerpoint
10	XL777DD	10A dovetail dolly double powerpoints, 2 blank DD inserts, 1 lock
10	XL777S	10A double powerpoint with safety shutters
10	XL777NS	10A double powerpoint, neons & safety shutters
10	XL777R	10A double powerpoint with round earths
10	XL777RS	10A double powerpoint with round earths & safety shutters
10	XL777RNS	10A double powerpoint, round earth, neons & safety shutters
10	XL777/1015	Double powerpoint with 10A & 15A outlets
10	XL777/1015S	Double powerpoint with 10A & 15A outlets & safety shutters
10	XL777/1015NS	Double powerpoint with 10A & 15A outlet, neons & safety shutters
10	XL777CH	10A double powerpoint, chemical resistant (available in white only)
10	XL777/15	15A double powerpoint
10	XL777/15S	15A double powerpoint with safety shutters
10	XL777/15NS	15A double powerpoint, neons & safety shutters
Double powerpoints, double pole Plate size: 117 x 73mm. Mounting centres: 84mm		
10	XL777P	10A double pole double powerpoint
Double powerpoints, shrouded Plate size: 117 x 73mm. Mounting centres: 84mm		
10	XL777F	10A shrouded double powerpoint



Pack	Cat No	Double powerpoints with blanking insert Plate size: 117 x 73mm. Mounting centres: 84mm
10	XL777ID	10A double powerpoint with white ID insert
10	XL777IDCL	10A double powerpoint with clear ID insert



Pack	Cat No.	Vertical double powerpoints Plate size: 73 x 117mm. Mounting centres: 84mm
10	XLV777	10A double powerpoint
10	XLV777S	10A double powerpoint with safety shutters
10	XLV777NS	10A double powerpoint, neon & safety shutters
10	XLV777R	10A double powerpoint with round earth

10	XLV777/1015	Double powerpoint with 10A & 15A outlets
10	XLV777/1015S	Double powerpoint with 10A & 15A outlets & safety shutters
10	XLV777/15	15A double powerpoint



Pack	Cat No	Four-in-one powerpoint
5	XL7774	Plate size: 190.5 x 72.5mm. Mounting centres: 84mm Available in white only. Suits 137/1 mounting block. 10A Four-in-one powerpoint

Pack	Cat No	Vertical double powerpoints with extra switch
10	XLV777X	Plate size: 73 x 117mm. Mounting centres: 84mm 10A double powerpoint with extra switch
10	XLV777XS	10A double powerpoint with extra switch & safety shutters
10	XLV777X15	15A double powerpoint with extra switch



Pack	Cat No	Multiple powerpoints, 5 gang
10	XL7775	Plate size: 250 x 72.5mm. Mounting centres: 84mm Available in white only. Includes mounting block and conduit adapter. 10A 5 gang powerpoint with 5 switched outlets
10	XL7775/1	10A 5 gang powerpoint with 4 switched outlets plus 1 x 10A switch
10	XL7775/2	10A 5 gang powerpoint with 4 switched outlets plus 2 x 10A switch
10	XL7775/3	5 gang powerpoint with 4 x 10A switched outlets plus 1 x 15A switched outlet



Pack	Cat No	Double slimline powerpoints
5	XL792B	Plate size: 157 x 50mm. Mounting centres: 137mm 10A double slimline powerpoint with busbar link
5	XL792B15	15A double slimline powerpoint with busbar link
5	XL792NS	10A double slimline powerpoint, 2 neons & safety shutters with busbar link
5	XL792/15	15A double slimline powerpoint with busbar link
5	XL792/15NS	15A double slimline powerpoint, 2 neons & safety shutters with busbar link
1	XL792/OA	Double slimline grid & cover, flat blank 34 x 57 x 2.5mm thick may be punched or drilled (no mechs)



Pack	Cat No	Surge protection double powerpoints
10	XL777PA	Plate size: 117 x 73mm. Mounting centres: 84mm 10A surge arrester double powerpoint with buzzer
10	XL777PANB	10A surge arrester double powerpoint without buzzer
10	XL777PAM	Replacement module

Excel Range



Pack	Cat No	Power monitor
		Plate size: 117 x 73mm. Mounting centres: 84mm
10	XL787B	10A power monitor. Brownout protecting single powerpoint
10	XL787B15	15A power monitor. Brownout protecting single powerpoint



Pack	Cat No	Excel shaver supply outlets
		Plate size: 117 x 73mm. Mounting centres: 84mm
10	XL798/0	Excel shaver outlet



Pack	Cat No	Electresafe powerpoints, 10mA tripping
		Plate size: 117 x 73mm. Mounting centres: 84mm
2	XL777EL10	10mA Electresafe powerpoint, 10A
2	XL777EL10N	10mA Electresafe powerpoint with 'supply available' neon, 10A
2	XL777EL10N2	10mA Electresafe powerpoint with switched outlet neons, 10A
2	XL777EL10N3	10mA Electresafe powerpoint with 3 neons, 10A
2	XL777EL10/1015	10mA Electresafe powerpoint with 10A & 15A outlets



Pack	Cat No	Excel shaver supply outlets with double powerpoint
		Plate size: 114 x 177mm. Mounting centres: 84mm Available in white only
1	XL798/777	Excel shaver outlet & 10A double powerpoint
1	XL798/777EL30	Excel shaver outlet & 10A double powerpoint with 30mA safety switch
1	XL798/777X	Excel shaver outlet & 10A double powerpoint and extra switch



Pack	Cat No	Electresafe powerpoints, 30mA tripping
		Plate size: 117 x 73mm. Mounting centres: 84mm
2	XL777EL30	30mA Electresafe powerpoint, 10A
2	XL777EL30N	30mA Electresafe powerpoint with 'supply available' amber neon, 10A
2	XL777EL30N2	30mA Electresafe powerpoint with switched outlet neons, 10A
2	XL777EL30R	30mA Electresafe powerpoint with round earths, 10A
2	XL777EL30/1015	30mA Electresafe powerpoint with 10A & 15A outlets
2	XL777EL30G	30mA Electresafe powerpoint for generators, 10A
1	XL777EL30G1015	30mA Electresafe powerpoint for generators, 10A & 15A outlets



Pack	Cat No	Leading edge light dimmers, EMC compliant
		Plate size: 73 x 117mm. Mounting centres: 84mm. Refer to technical pages at the back of this Section for more information.
3	XL200E	200VA light dimmer, leading edge
3	XL300E	300VA light dimmer, leading edge
3	XL400L	400VA light dimmer, leading edge
3	XL700L	700VA light dimmer, leading edge
1	XL1000L	1000VA light dimmer, leading edge
1	XL1000ERC	1000VA light dimmer/fan controller, leading edge, for remote mounting. Available in white only. Control plate suits all standard-sized mounting accessories - 84mm centres. Plate size: 117mm H x 73mm W x 13mm D from back of plate. Remote unit 190mm H x 100mm W x 46mm D overall.

Dimmers and fan controllers 230-240V a.c.

Excel Range

3	XL2000ERC	2000VA light dimmer/fan controller, leading edge, for remote mounting. Available in white only. Control plate suits all standard-sized mounting accessories - 84mm centres. Plate size: 117mm H x 73mm W x 13mm D from back of plate. Remote unit 190mm H x 100mm W x 46mm D overall.
---	-----------	---



Pack	Cat No	
3	XL400T	400VA light dimmer, trailing edge
3	XL700T	700VA light dimmer, trailing edge
3	XL1000T	1000VA light dimmer, trailing edge



Pack	Cat No	
3	XL400ESD	400VA light dimmer operated by infra-red remote control (included), or metallic touch plate, leading edge. Superdimmer, switch and dimmer with user-adjustable ramp-up/down times. Four combinations available: suffix MSWE - matt silver touch plate with white cover plate; MSMS matt silver touch and cover plates; PBWE - polished brass touch plate with white cover plate; PBPB - polished brass touch plate and cover plate



Pack	Cat No	
3	XL300F	300VA fan controller
3	XL650ET	650VA timed fan speed controller with auto switch-off. Min load 60VA. Timer switches off load after approximately 2 hours, manually re-settable. Also suited for controlling resistive loads. Suitable for ceiling sweep & ceiling exhaust fans.
3	XL475	100VA de-hummer 3-speed fan controller with 3.3 μ F + 4.7 μ F capacitors.
3	XL475/1	100VA de-hummer 3-speed fan controller with 1.5 μ F + 2.5 μ F capacitors. Not suitable for multigang plate installations.
3	XL475/2	100VA de-hummer 3-speed fan controller with 1.5 μ F + 2.5 μ F capacitors. Suitable for multigang plate installations.

Fan controllers

Plate size: 73 x 117mm. Mounting centres: 84mm 230 - 240V a.c. Must be matched to fan type. Refer to technical pages at the back of this section for more information.

Excel Range outlets



Pack	Cat No	
10	XL770/1CX	75 ohm coax outlet
10	XL770/1FCX	75 ohm coax to F connector
10	XL770/2FMTV75	FM-TV outlet (75/75 ohm)



Pack	Cat No	
10	XLA770/1CX	75 ohm coax outlet

Architrave TV and FM-TV outlet

Plate size: 32 x 68mm. Mounting centres: 70mm



Pack	Cat No	F connector pay-TV outlet Plate size: 73 x 117mm. Mounting centres: 84mm
10	XL770F	F connector for cable, microwave & satellite TV. 75 ohm
10	XL770TO	Telephone outlets Plate size: 73 x 117mm. Mounting centres: 84mm Excel telephone outlet to suit Telecom 610 socket



Pack	Cat No	Triple size communication outlet combinations Plate size: 117 x 219mm
1	XLV424/3W	2x 10A double powerpoint, 4 x F connectors and 2 x RJ45 sockets (8P8C - Cat 5E), 3 vertical plates wide
1	XL422PA/3T	1x 10A double powerpoint with surge protection, 1 x 10A double powerpoint, 2 x F connectors and 2 x RJ45 sockets (8P8C - Cat 5E), 3 horizontal plates tall
1	XLV6/3W	3 x 10A double vertical powerpoints. 3 vertical plates wide



Pack	Cat No.	Modular series RJ outlets Plate size: 117 x 73mm. Mounting centres: 84mm
10	XL770/1RJ2	Single RJ45 outlet (phone/data, Cat 5E)
10	XL770/2RJ2	Double RJ45 outlet (phone/data, Cat 5E)
10	XLP770BT	BT 2 wire phone outlet, single
10	XLPV770BT	BT 2 wire vertical phone outlet



Pack	Cat No	Double size communication outlet combinations Plate size: 117 x 146mm.
1	XL222/2T	10A double powerpoint, 2 x F connectors and 2 x RJ45 sockets (8P8C - Cat 5E), 2 horizontal plates tall
1	XL222PA/2T	10A double powerpoint with surge protection, 2 x F connectors and 2 x RJ45 sockets (8P8C - Cat 5E), 2 horizontal plates tall

Cover plates and grids with cover plates



Pack	Cat No	Available in various colour and metallic finishes - please refer to colour options page at the back of this Section for details of codes and surcharges. Please note that not all plates are available in every colour and/or metallic finish. Not all plates have been listed, however, plates are available for all products.
		Standard size switch cover plate only Plate size: 73 x 117mm. Mounting centres: 84mm Plates available for all Excel products (not all listed). Can be used for horizontal and vertical switches.
10	XL770/0PL	Blank cover plate only
10	XL770/1PL	Cover plate only for 1 gang switch
10	XL770/2PL	Cover plate only for 2 gang switch
10	XL770/3PL	Cover plate only for 3 gang switch
10	XL770/4PL	Cover plate only for 4 gang switch
10	XL770/5PL	Cover plate only for 5 gang switch
10	XL770/6PL	Cover plate only for 6 gang switch



Pack	Cat No	Standard size grids and cover plate only (no mechs)
10	XL770/1GPL	1 gang standard size grid & cover plate only
10	XL770/2GPL	2 gang standard size grid & cover plate only
10	XL770/3GPL	3 gang standard size grid & cover plate only
10	XL770/4GPL	4 gang standard size grid & cover plate only
10	XL770/5GPL	5 gang standard size grid & cover plate only
10	XL770/6GPL	6 gang standard size grid & cover plate only
		Architrave switch cover plate only (matt only) Plate size: 35 x 84mm. Mounting centres: 70mm
20	XLA770/1PL	Cover plate only for 1 gang switch
20	XLA770/2PL	Cover plate only for 2 gang switch
20	XLA770/3PL	Cover plate only for 3 gang switch
20	XLA770/4PL	Cover plate only for 4 gang switch
		Architrave switch grids and cover plate only (no mechs)
20	XLA770/1GPL	1 gang architrave grid & cover plate only
20	XLA770/2GPL	2 gang architrave grid & cover plate only
10	XLA770/3GPL	3 gang architrave grid & cover plate only
10	XLA770/4GPL	4 gang architrave grid & cover plate only
		Heavy duty rocker cover plate only
20	XL1036PL	Cover plate only for heavy duty rocker switch

Pack	Cat No	Slimline grids and cover plate only (no mechs)
10	XL792/0A	Double slimline grid & cover, flat blank 34 x 57 x 2.5mm thick. May be punched or drilled.
10	XL792/02A	Double slimline 2 gang grid & cover, flat blank 34 x 57 x 2.5mm thick.
10	XL792/4	Four gang grid & cover. Accepts 4 x RJ sockets with adaptor, or other mechs.



Pack	Cat No	Universal grid cover plate
10	XL770U	Plate size: 117 x 73mm. Mounting centres: 84mm. A multi purpose plate, used by electronics manufacturers as a base for a variety of switching applications. Excel universal plate



Pack	Cat No	Single powerpoint cover plate only
10	XL787PL	Plate size: 117 x 73mm. Mounting centres: 84mm. Cover plate only for single powerpoint
10	XL787XPL	Cover plate only for single powerpoint with extra switch
20	XL787NSPL	Cover plate only for single powerpoint with neon
10	XL7872XPL	Cover plate only for single powerpoint with 2 extra switches
10	XL787/20PL	Cover plate only for single 20A powerpoint

Excel Range



Pack	Cat No	Double powerpoint cover plate only Plate size: 117 x 73mm. Mounting centres: 84mm.
10	XL777PL	Cover plate for double powerpoint
10	XL777XPL	Cover plate for double powerpoint with extra switch
20	XL777NSPL	Cover plate for double powerpoint with neon



Pack	Cat No	Telephone outlet cover plate only Plate size: 117 x 73mm. Mounting centres: 84mm
10	XL770TOPL	Telephone outlet plate



Pack	Cat No	Double size cover plate only (matt only) Plate size: 144 x 116.5mm or 116.5 x 114mm, 230.5 x 72.5mm or 72.5 x 230.5mm. Mounting centres: 84mm. Enables 2 x Excel units to be mounted side by side or one above each other. Choose from 4 different layouts. Specify layout and cover function when ordering. Please contact us for an order form.
10	XLDC	Double size cover plate only
1	XLTC	Triple size cover plate only Triple size cover plate only (matt only) Plate size: 117 x 213mm or 213 x 117mm. Mounting centres: 84mm. Enables 3 x excel standard size units to be mounted side by side or above each other. Choose from 2 different layouts. Specify layout and cover functions when ordering. Please contact us for an order form.
5	XL7774PL	Four-in-one powerpoint cover plate only Plate size: 190.5 x 72.5mm. Mounting centres: 84mm. Cover plate only for Four-in-one powerpoint



Pack	Cat No	Computer grids and plates only Plate size: 117 x 73mm. Mounting centres: 84mm.
10	XL770FPL	F, BNC, TNC or ST fibre optic adaptor, plate only. Hole dia. 9.5mm
10	XL770/1D1	Computer outlet plate for 1 x 9 pin (CP9) D connector socket
10	XL770/2D1	Computer outlet plate for 2 x 9 pin (CP9) D connector sockets
10	XL770/1D2	Computer outlet plate for 1 x 15 pin (CP9) D connector socket
10	XL770/2D2	Computer outlet plate for 2 x 15 pin (CP9) D connector sockets
10	XL770/1D3	Computer outlet plate for 1 x 25 pin (CP9) D connector socket
10	XL770/2D3	Computer outlet plate for 2 x 25 pin (CP9) D connector sockets

Circuit identification & plain caps

Pack	Cat No.	Plain blank flush caps
100	FLUSH CAPS	Plain blank flush caps only. (Packet of 100). Specify colour.
10	CIC CAPS	<p>Engraved flush caps</p> <p>Engraved flush caps. Available in figures 1-99, letters A-Z. (10 of each number or letter in each pack). Black engraving standard or specify red, yellow.</p>



Pack	Cat No.	Identification products
10	800	Blanking piece, suits all 770 series switch plates
10	800LH	Blanking piece with hole for potentiometer mounting, suits all 770 series switch plates.
10	800ID	Blanking piece engraved - Not Safety Switch Protected. Suits all 770 series switch plates.
50	800/2	Blanking insert with opaque cap. Ass Suits all 770 series switch plates.
50	800/2CL	Blanking insert with clear cap. Ass Suits all 770 series switch plates.
50	800/2CL1	Die cut labels for circuit identification to suit Cat. No. 800/2CL
1	800/2CL3	Blank die-cut paper for Cat. No. 800/2CL2 circuit IS kit. 10 sheets per pack. Specify: WE (white); BU (blue); RED (red); or YE (yellow)
1	XL1FB	<p>Paint blisters</p> <p>Paint blister</p>

How to order

Excel Range is available in various colours and metallic finishes. When ordering add ordering code/s to the end of Cat. No.

e.g. XLP777**BU**, XL777**BLMS**

Please note: Not all colours and/or metallic finishes are available on all products. Please check when ordering. Minimum quantities may apply. Surcharges for colour and/or metallic finish should be added to the base price of the corresponding product. A special surcharge applies for the red, blue and green cover plates.

XLP High Gloss Cover Plate	Gloss Finish Colours Available								
	White WE	Cream CR	Beige BE	Mist Grey MG	Brown BR	Black BL	Red RED	Blue BU	Green GR
									

XL Regular Cover Plate	Matt Finish Colours Available								
	White WE	Cream CR	Beige BE	Mist Grey MG	Brown BR	Black BL	Red RED	Blue BU	Green GR
									

	Metallic Finishes Available					
	Polished Silver PS	Matt Silver MS	Stainless Steel* SS	Stone Metal SM	Brushed Brass* BB	Polished Brass PB
						

*Solid Metal

Dimmers specifications table

Cat. No.	Type	Maximum load	Minimum load	Incandescent	240V Linear halogen	GU10 240V halogen downlights	Low voltage halogen with wirewound transformers *	Low voltage halogen with electronic transformers	Ceiling fan
Dimmers									
XL200E	Leading edge	200VA	10VA	✓	✓	×	✓	See note	✓
XL300E	Leading edge	300VA	40VA	✓	✓	×	✓	See note	✓
XL400L	Leading edge	400VA	10VA	✓	✓	✓	✓	×	×
XL400T	Trailing edge	400VA	10VA	✓	✓	×	×	✓	×
XL700L	Leading edge	700VA	10VA	✓	✓	✓	✓	×	×
XL700T	Trailing edge	700VA	10VA	✓	✓	×	×	✓	×
XL1000L	Leading edge	1000VA	10VA	✓	✓	✓	✓	×	×
XL1000T	Trailing edge	1000VA	10VA	✓	✓	×	×	✓	×
Remote-mounted dimmers									
XL1000ERC	Leading edge	1000VA	75VA	✓	✓	×	✓	See note	✓
XL2000ERC	Leading edge	2000VA	75VA	✓	✓	×	✓	See note	✓
Touch dimmers									
XL400ESD	Leading edge	400VA	40VA	✓	✓	×	✓	×	×

Note

Some electronic transformers state that they are compatible with Leading Edge Dimmers. However, significant de-rating of the dimmer is usually required. Therefore, recommends the use of Trailing Edge Dimmers (Cat. No. XL400T, XL700T or XL1000T) for these applications. If it is necessary to use a Leading Edge Dimmer, then please refer to the Dimming Electronic Transformers information sheet enclosed with the product.

* When using wirewound transformers, ensure the transformers are marked "suitable for dimming" and de-rate the dimmer by 20%.

Excel Range

How many electronic transformers can I use?

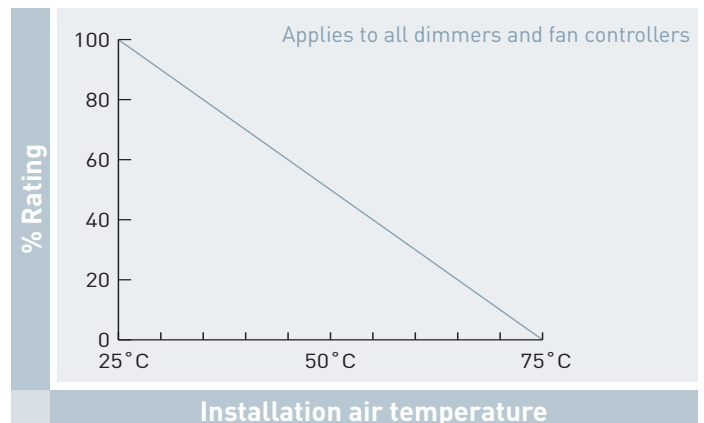
Electronic transformer model	XL400T	XL700T	XL1000T
Max number of transformers per dimmer			
Nelson MTECOUGAR60	8	14	20
Nelson MTETRADE65			
Nelson MTECONT70			
Nelson MTEFOX60			
Nelson MTEICE60			
Nelson MTEKITTY60			
Nelson MTEMICRO60			
Nelson MTEPBS60			
Assumes 1 x 50W lamp per transformer			
Nelson MTECONT105	4	7	10
Nelson MTEFLAT105			
Nelson MTEFOX105			
Nelson MTEICE105			
Nelson MTEKITTY105			
Assumes 2 x 50W lamp per transformer			

This table is an example only. Other models of electronic transformers may be used.

Selecting the correct fan controller

Cat. No.	Maximum load	Minimum load
Fan controllers		
XL300F	300VA	40VA
XL475	100VA	-
XL475/1	100VA	-
XL475/2	100VA	-
Timed fan controller		
XL650ET	650VA	60VA

- **Cat. No. XL475, XL475/1 and XL475/2** are capacitive type controllers that will eliminate motor humming. These can control only a single fan. All other fan controllers are capable of controlling multiple fans up to their maximum load.
- The capacitor values in **Cat. No. XL475/1 and XL475/2** are the same, and have been selected to suit most fan models. The only difference between the two is that **Cat. No. XL475/2** can be installed on a multi-gang plate with other switches or dimmers.
- If **Cat. No. XL475/1 or XL475/2** cause the fan to operate too slowly, **Cat. No. XL475** should be used instead.
- **Cat. No. XL650ET** has an in-built two hour timer and will automatically switch off after this time.



Time delay switches table

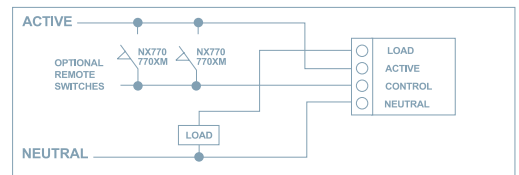
Cat. No.	Maximum load	Neutral required	Mode of operation*	Normally open or Normally closed	Remote control	Timing range
Excel time delay switches						
XLTD770/1	600VA	No	Re-trigger	Normally open	Yes	1, 3 and 10 min
XLTX770/1	2400VA	Yes	Re-trigger	Normally open	Yes	1 sec - 239 hrs
XLTX770/2	2400VA	Yes	Toggle	Normally open	Yes	1 sec - 239 hrs
XLTX770/3	2400VA	Yes	Repeat cycle	Normally open	Yes	15 sec - 24 hrs cycle
XLTX770/1A	2400VA	No	Re-trigger	Normally open	Yes	1 sec - 239 hrs
XLTX770/2A	2400VA	No	Toggle	Normally open	Yes	1 sec - 239 hrs
XLTX770/3A	2400VA	No	Repeat cycle	Normally open	Yes	15 sec - 24 hrs cycle
XLTX770/1NC	2400VA	Yes	Re-trigger	Normally closed	Yes	1 sec - 239 hrs
XLTX770/2NC	2400VA	Yes	Toggle	Normally closed	Yes	1 sec - 239 hrs
XLTF770/1	2400VA (lamp)	No	Fan delay	Normally open	Yes	3, 10 and 20 min
	600VA (fan)					

- Re-trigger means that a button press during the timing cycle will re-start the timing cycle.
- Toggle means that a button press during the timing cycle will stop the timing cycle.
- Fan delay means that the fan remains on for a certain period after the light is turned off. A light must be connected for the unit to operate.

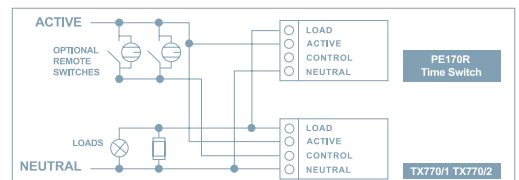
Information

Some time delay switches may have compatibility issues with some types of compact fluorescent lamp or electronic ballast when the load is small. This may cause the lamp to flicker slightly in the off state. It can be overcome by increasing the size of the load, or by connecting a resistive load in parallel. For more information, please contact Customer Service

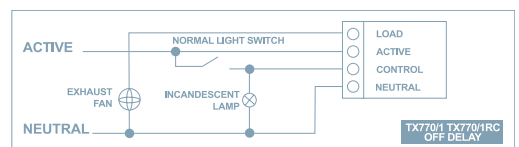
Wiring diagrams



Example application with remote switches.

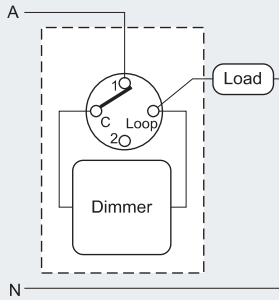


A Cat No. PE170R photoelectric switch is programmed to turn external lights on at dusk and off at a pre-programmed time to save energy. Outside of these hours, lights can be turned on for a timed period by the TX770 or remote push buttons.

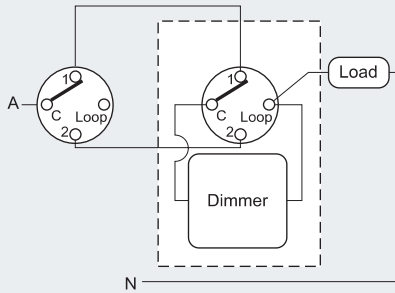


A fan runs for a certain period after light switch is turned off.

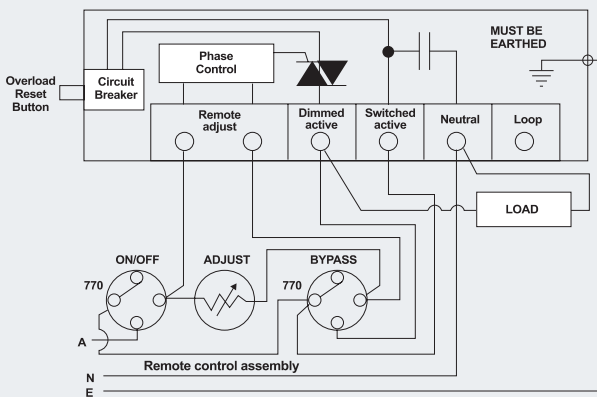
Wiring diagrams



One-way switching with dimmer

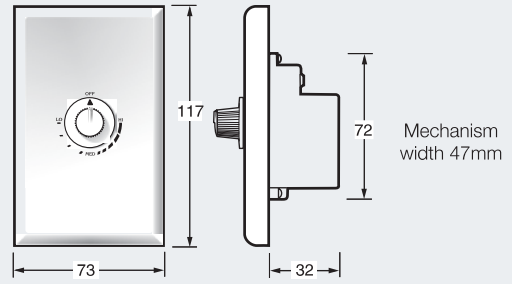


Two-way switching with dimmer

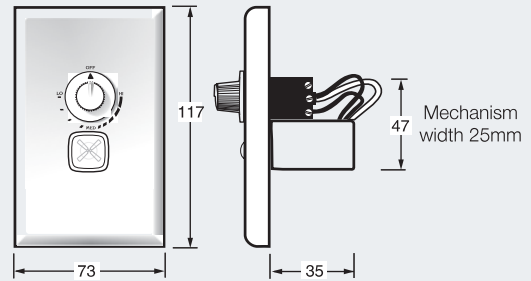


XL1000ERC and XL2000ERC

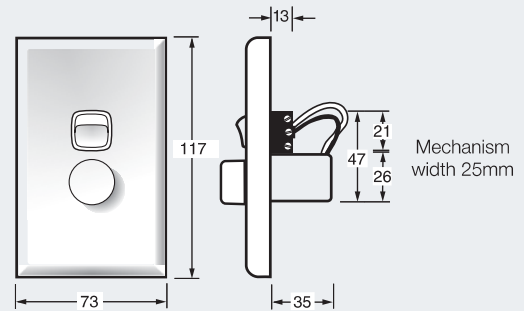
Installation dimensions



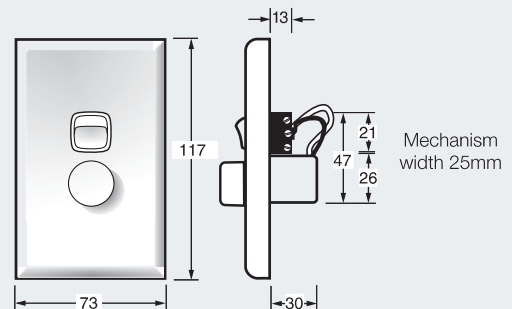
XL475, XL475/1



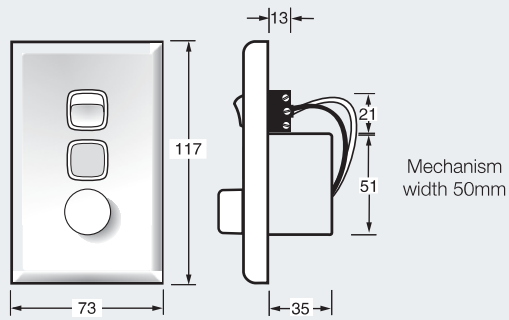
XL475/2



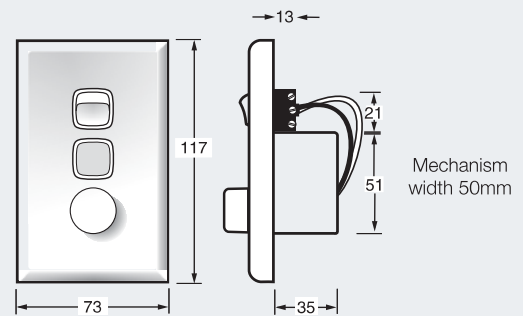
XL300E, XL300F



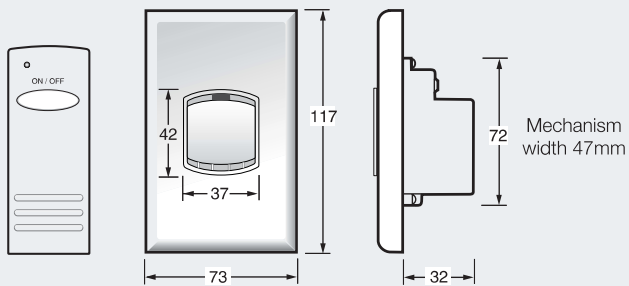
XL200E, XL400L, XL400T



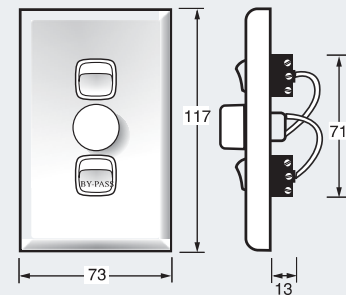
XL700L, XL700T



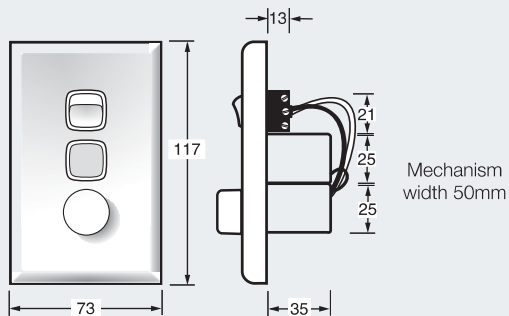
XL1000L, XL1000T



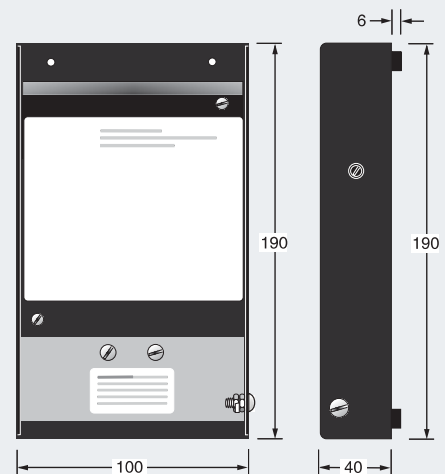
XL400ESD



XL1000ERC, XL2000ERC



XL650ET



Single powerpoints

Cat No.

XL787

Plate size: 117 x 73mm.
Mounting centres: 84mm

XL787/20

Plate size: 117 x 73mm.
Mounting centres: 84mm

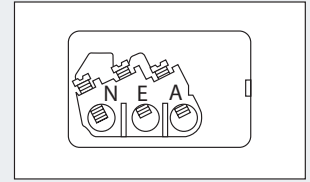
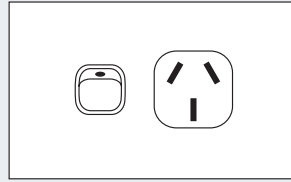
XL787/25

Plate size: 117 x 73mm.
Mounting centres: 84mm

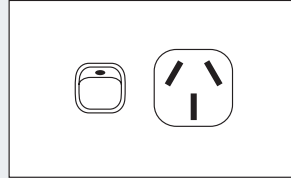
XL787/32

Plate size: 117 x 73mm.
Mounting centres: 84mm

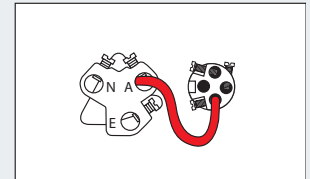
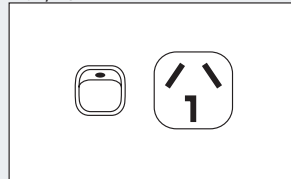
XL787



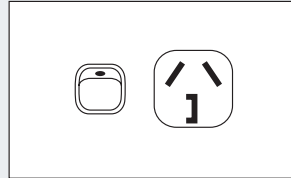
XL787/20



XL787/25



XL787/32

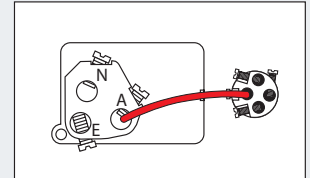
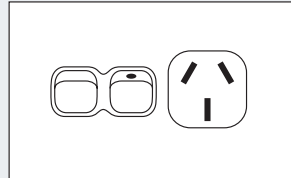


Single powerpoints with extra switch

XL787X

Plate size: 117 x 73mm.
Mounting centres: 84mm

XL787X

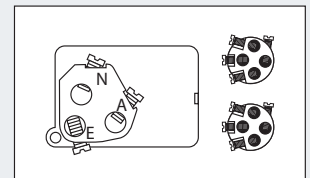
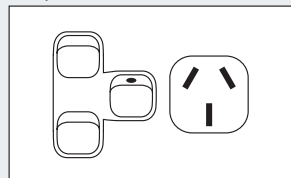


Single powerpoints with 2 extra switches

XL787/2X

Plate size: 114 x 70mm.
Mounting centres: 84mm

XL787/2X

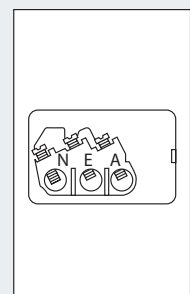
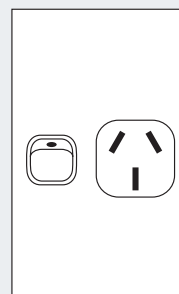


Vertical single powerpoint

XLV787

Plate size: 73 x 117mm.
Mounting centres: 84mm

XLV787



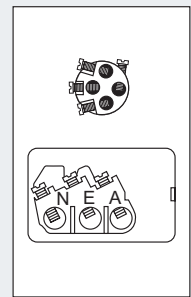
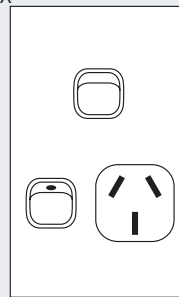
Vertical single powerpoints with extra switch

Cat No.

XLV787X

Plate size: 70 x 114mm.
Mounting centres: 84mm

XLV787X

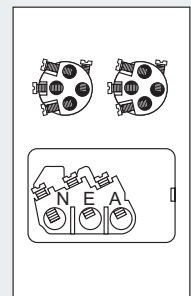
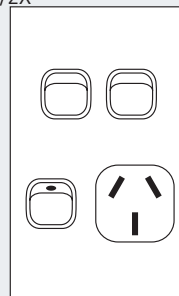


Vertical single powerpoints with 2 extra switches

XLV787/2X

Plate size: 73 x 117mm.
Mounting centres: 84mm

XLV787/2X

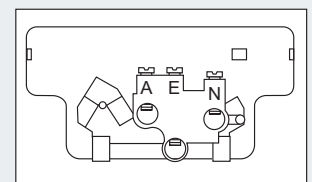
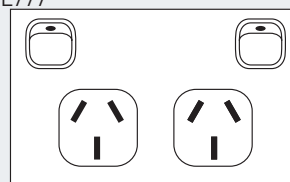


Double powerpoints

XL777

Plate size: 117 x 73mm.
Mounting centres: 84mm

XL777

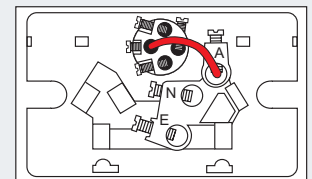
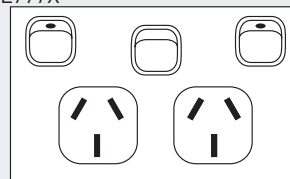


Double powerpoints with extra switch

XL777X

Plate size: 117 x 73mm.
Mounting centres: 84mm

XL777X

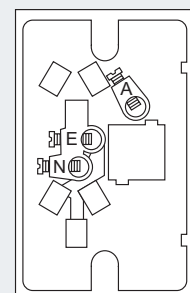
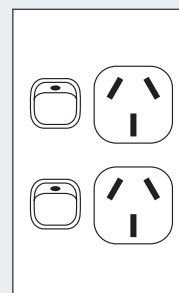


Vertical double powerpoints

XLV777

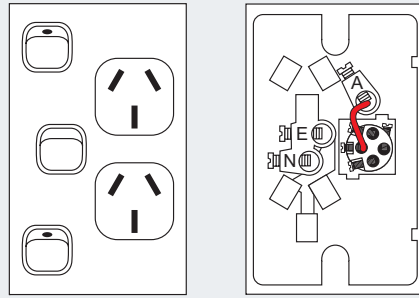
Plate size: 73 x 117mm.
Mounting centres: 84mm

XLV777



Vertical double powerpoints with extra switch

XLV777X



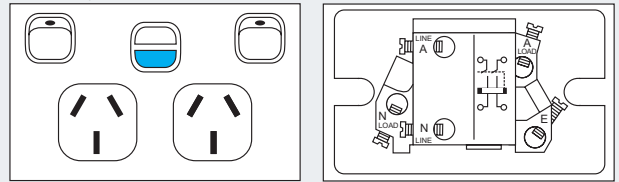
Cat No.

XLV777X

Plate size: 73 x 117mm.
Mounting centres: 84mm

Electresafe powerpoints, 10mA tripping

XL777EL10

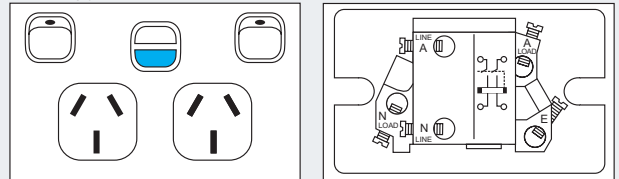


XL777EL10

Plate size: 117 x 73mm.
Mounting centres: 84mm

Electresafe powerpoints, 30mA tripping

XL777EL30

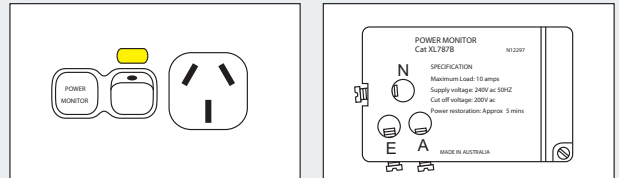


XL777EL30

Plate size: 117 x 73mm.
Mounting centres: 84mm

Power brown out monitor

XL787B

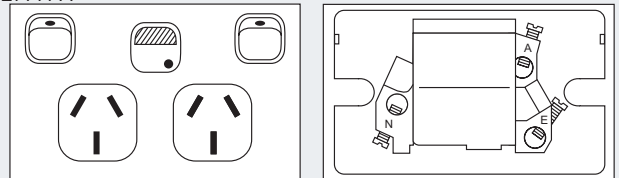


XL787B

Plate size: 117 x 73mm.
Mounting centres: 84mm

Surge protecting double powerpoints

XL777PA



XL777PA

Plate size: 117 x 73mm.
Mounting centres: 84mm