
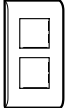
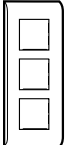


Document      Catalog No.      Description      VPE/Pack      U/M

---

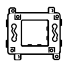
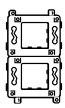
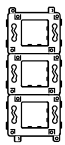
**Module Covers Plastic, White**

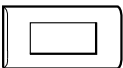
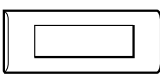
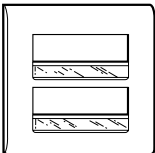
	<b>75002</b>	Plate for 2 Modules (Square), Dimensions (80x80)mm	200/20	ea
	<b>75022</b>	Plate for 2 x 2 Modules, Vertical Mounting, Dimensions (148x80)mm	100/10	ea
	<b>75023</b>	Plate for 3 x 2 Modules, Vertical Mounting, Dimensions (205x80)mm	50/10	ea

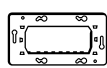
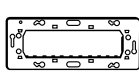
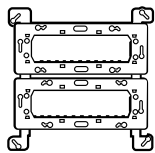
Document      Catalog No.      Description      VPE/Pack      U/M

---

**Module Support Frames, Metal**

	<b>74802</b>	Support Frame for 2 Modules	400/20	ea
		2 x Support Frame Coupled (Catalog No. 74802) for 2 x 2 Modules		
		3 x Support Frame Coupled (Catalog No. 74802) for 3 x 2 Modules		

	<b>75010</b>	Plate for 4 Modules, Horizontal Mounting, Dimensions (148x80)mm	100/10	ea
	<b>75014</b>	Plate for 6 Modules, Horizontal Mounting, Dimensions (205x80)mm	50/10	ea
	<b>75042</b>	Plate for 2 x 6 Modules, Horizontal Mounting, Clipped on using slats for reduced thickness, With label holder Dimensions (213x213)mm	25/5	ea

	<b>74804</b>	Support Frame for 4 Modules, Horizontal Mounting	100/10	ea
	<b>74806</b>	Support Frame for 6 Modules, Horizontal Mounting	50/10	ea
	<b>74825</b>	Frame for 2 x 6 Modules, Horizontal Mounting	25/5	ea

