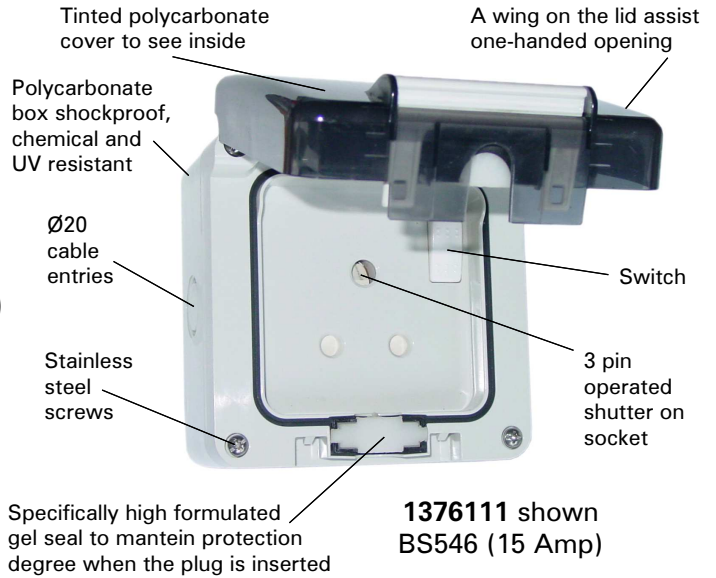


Single Switched Surface Mounting Socket Outlets, IP66

**United Kingdom, South Africa, India,
Single Surface Mounting Receptacles
250 Volt AC, While-In-Use Cover, IP 66**

SPECIFICATIONS

- **Ratings:** 250 Volts AC, 13A or 15A
- **Pole/Wire:** 2P 3W Grounding (2P + E)
- **Terminals:** Screw Terminals
- **Base/Cover:** Grey RAL 7035, Cover Tinted Polycarbonate
- **Ingress Protection:** IP 66

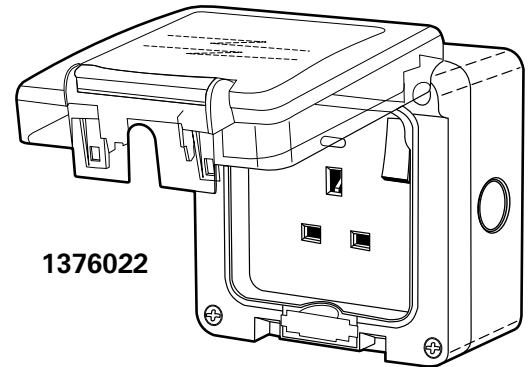


**1376111 shown
BS546 (15 Amp)**

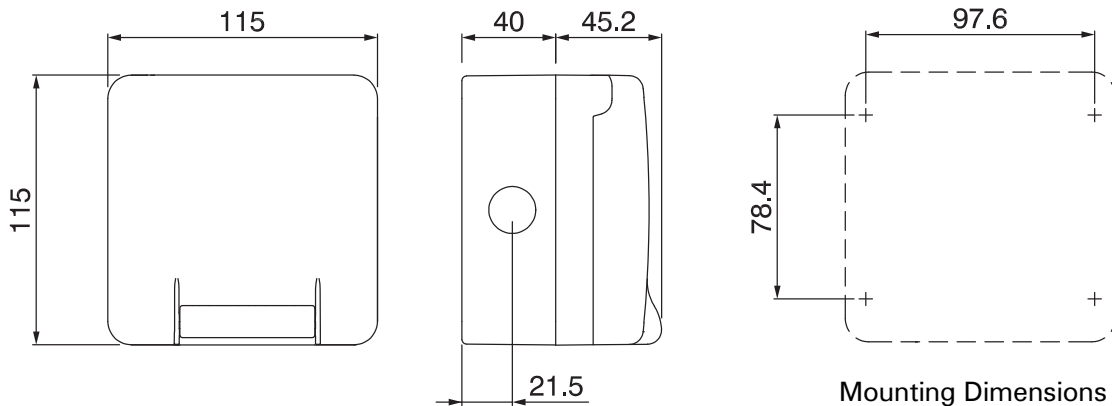
Catalog No.	Color	Description	Weight/each	VPE/Pack	EDP No.
1376022	Grey/Clear	Single Switched Surface Socket, 13A, 250V AC, 50Hz, 2P + E, IP 66, British Standard BS 1363-2, While-In-Use Cover, Double Pole Switch w/Neon	346 g net.	96/12	126403
1376111	Grey/Clear	Single Switched Surface Socket, 15A, 250V AC, 50/60Hz, 2P + E, IP 66, BS 546 (Round Pins), While-In-Use Cover	344 g net.	96/12	126157

TECHNICAL CHARACTERISTICS

Rated current:	13A or 15A		
Rated voltage:	250V~ max.		
Frequency:	50/60Hz	Cabling capacity of the terminal:	3x 2.5 mm ² , 3x 4 mm ² , 3x 6 mm ²
Insulating voltage:	250V~ max.	Glow Wire test:	850°C
Protection degree:	IP66	Halogen free:	Yes
Operating temperature according to the reference standard:	-5°C + 60°C	Material:	Engineering plastic
Maximum operating temperature:	60°C	Cable inlets:	Top, bottom and sides M20
		Colour: Base:	grey RAL 7035
		Cover:	tinted polycarbonate



1376022



Mounting Dimensions

Technical Data are Subject to Change without Notice. Dimensions in mm.