

IP66 Modular Control Devices

Product Examples



1373211
SP TWO WAY SWITCH
M95 (95x95)mm 10AX
Flush Mounting
Box not included



1375221
SP TWO WAY SWITCH
M95 (95x95)mm 10AX
Surface Mounting

Combination Example



1374427 Socket Outlet according to AS/NZS 10 Amp.
1373211 Single Pole Two Way Switch
137102 Surface Mounting Two Gang Box

General Product Information

Complete range of switches and domestic socket outlets IP66 with plug inserted, sturdy and resistant to UV rays thanks to the use of high-strength technopolymers.

The electrical socket outlets are available in the main Italian and International standards.

All series devices are available for surface, flush or pole mounting.

Ideal for installations in gardens and other places with the presence of water and dust, as well as in the tertiary sector and in light industry.

Specifications

- **Rated current:** 10A • 10AX ¹⁾ • 20A • 20AX ¹⁾
- **Rated voltage:** 250V~
- **Frequency:** 50/60Hz
- **Cable entries:** Blank side
- **Installation temperature:** -20°C to +60°C
- **Cabling capacity of the terminals:**
1 mm² ÷ 2.5 mm² (10A), 1.5 mm² ÷ 4 mm² (16A)
- **Self extinguishing degree (GWT):**
650°C (body), 850°C (contact carrier)
- **Impact resistance (IK degree):** IK07
- **Material:** Thermoplastic (Halogen Free)
- **LED color:** Orange
- **Target Countries:** International
- **Housing Color:** Light Gray only (RAL 7035)
- **Reference Standards:** EN 60669-1

¹⁾ Devices suitable for controlling fluorescent lamps with power factor correction.

- **Markings and Directives:** CE, UKCA
- **Quality Marks:** EAC, IRAM



Nominal Dimensions

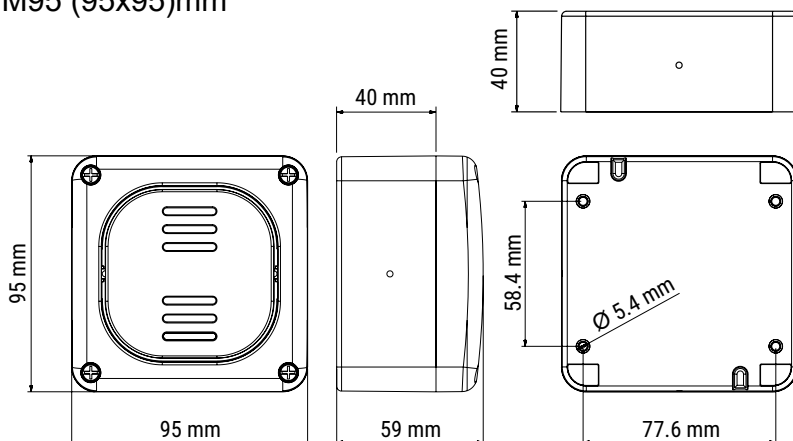


Must not be disposed with household waste!

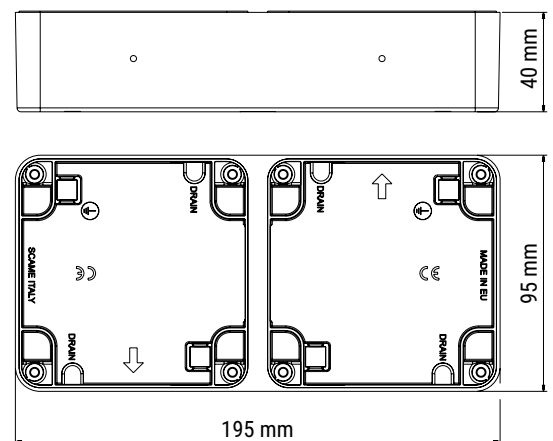


Installation may only be carried by people (qualified electricians) with relevant electrical engineering knowledge and experiences!

SURFACE MOUNTING
ONE GANG SWITCH
M95 (95x95)mm



SURFACE MOUNTING BOX
CAT No. 137102 M95 x 2 (195x95)mm



IP66 Modular Control Devices

■ SURFACE MOUNTING • IP66 • CONTROL DEVICES • 1 GANG



Catalog Number	Product Description	Rated Current	Dimensions Nominal (mm)	Warning Light	Order Multiple Pack Qty. (VPE)
1375111	REVERSING SWITCH	10AX	M95 (95 x 95)	WITH NEON	12
1375112	REVERSING SWITCH	20AX	M95 (95 x 95)	WITH NEON	12
1375462	DP SWITCH	20A	M95 (95 x 95)	WITH NEON	12
1375311B	SP BELL PUSH SWITCH "BELL"	10A	M95 (95 x 95)	WITH NEON	12
1375311P	SP BELL PUSH SWITCH "PRESS"	10A	M95 (95 x 95)	WITH NEON	12
1375011	SP ONE WAY SWITCH	10AX	M95 (95 x 95)	WITH NEON	12
1375012	SP ONE WAY SWITCH	20AX	M95 (95 x 95)	WITH NEON	12
1375211	SP TWO WAY SWITCH	10AX	M95 (95 x 95)	WITH NEON	12
1375212	SP TWO WAY SWITCH	20AX	M95 (95 x 95)	WITH NEON	12

■ SURFACE MOUNTING • IP66 • CONTROL DEVICES • 2 GANG



Catalog Number	Product Description	Rated Current	Dimensions Nominal (mm)	Warning Light	Order Multiple Pack Qty. (VPE)
1375021	SP ONE WAY SWITCH	10AX	M95 (95 x 95)	WITH NEON	12
1375022	SP ONE WAY SWITCH	20AX	M95 (95 x 95)	WITH NEON	12
1375221	SP TWO WAY SWITCH	10AX	M95 (95 x 95)	WITH NEON	12
1375222	SP TWO WAY SWITCH	20AX	M95 (95 x 95)	WITH NEON	12
1375321	PUSH BUTTON SINGLE POLE 2 GANG	10A	M95 (95 x 95)	WITH NEON	12

■ SURFACE MOUNTING • IP66 • SPUR UNITS



Catalog Number	Product Description	Rated Current	Dimensions Nominal (mm)	Order Multiple Pack Qty. (VPE)
1375410	SPUR UNIT WITH FUSE AND SWITCH	13A	M115 (115 x 115)	12

■ Behaviour with Chemical and Atmospheric Agents

Saline solution	Acids		Bases		Solvents				Mineral oil	UV rays
	Concentrated	Diluted	Concentrated	Diluted	Hexane	Benzol	Acetone	Alcohol		
Resistant	Limited resistance	Resistant	Limited resistance	Limited resistance	Resistant	Not resistant	Not resistant	Resistant	Limited resistance	Resistant

Resistance values to chemical agents have to be considered indicative. For further information and specific substances, contact the technical service.

Non stock products are procurement goods, can only be ordered in standard packaging quantities and have a minimum order value. The actual product may differ from the illustration shown. The information provided here is subject to change without notice. The product shown is for the use in the specified country.

IP66 Modular Control Devices

■ FLUSH MOUNTING • IP66 • CONTROL DEVICES • 1 GANG



Catalog Number	Product Description	Rated Current	Dimensions Nominal (mm)	Warning Light	Order Multiple Pack Qty. (VPE)
1373111	REVERSING SWITCH	10AX	M95 (95 x 95)	WITH NEON	12
1373112	REVERSING SWITCH	20AX	M95 (95 x 95)	WITH NEON	12
1373462	DP SWITCH	20A	M95 (95 x 95)	WITH NEON	12
1373311B	SP BELL PUSH SWITCH "BELL"	10A	M95 (95 x 95)	WITH NEON	12
1373311P	SP BELL PUSH SWITCH "PRESS"	10A	M95 (95 x 95)	WITH NEON	12
1373011	SP ONE WAY SWITCH	10AX	M95 (95 x 95)	WITH NEON	12
1373012	SP ONE WAY SWITCH	20AX	M95 (95 x 95)	WITH NEON	12
1373211	SP TWO WAY SWITCH	10AX	M95 (95 x 95)	WITH NEON	12
1373212	SP TWO WAY SWITCH	20AX	M95 (95 x 95)	WITH NEON	12

NOTE: Flush or Surface mounting Box not included (sold separately).

■ FLUSH MOUNTING • IP66 • CONTROL DEVICES • 2 GANG



Catalog Number	Product Description	Rated Current	Dimensions Nominal (mm)	Warning Light	Order Multiple Pack Qty. (VPE)
1373021	SP ONE WAY SWITCH	10AX	M95 (95 x 95)	WITH NEON	12
1373022	SP ONE WAY SWITCH	20AX	M95 (95 x 95)	WITH NEON	12
1373221	SP TWO WAY SWITCH	10AX	M95 (95 x 95)	WITH NEON	12
1373222	SP TWO WAY SWITCH	20AX	M95 (95 x 95)	WITH NEON	12
1373321	PUSH BUTTON SINGLE POLE 2 GANG	10A	M95 (95 x 95)	WITH NEON	12

NOTE: Flush or Surface mounting Box not included (sold separately).

■ FLUSH MOUNTING • IP66 • SPUR UNITS



Catalog Number	Product Description	Rated Current	Dimensions Nominal (mm)	Order Multiple Pack Qty. (VPE)
1373410	SPUR UNIT WITH FUSE AND SWITCH	13A	M115 (115 x 115)	12

NOTE: Flush or Surface mounting Box not included (sold separately).

■ Behaviour with Chemical and Atmospheric Agents

Saline solution	Acids		Bases		Solvents				Mineral oil	UV rays
	Concentrated	Diluted	Concentrated	Diluted	Hexane	Benzol	Acetone	Alcohol		
Resistant	Limited resistance	Resistant	Limited resistance	Limited resistance	Resistant	Not resistant	Not resistant	Resistant	Limited resistance	Resistant

Resistance values to chemical agents have to be considered indicative. For further information and specific substances, contact the technical service.