

Explosionproof and Dust-tight Fittings and Accessories

**EXPLOSIONPROOF AND DUST-TIGHT JUNCTION BOXES
CLASS I, GROUPS C & D;
CLASS II, GROUPS E, F & G; NEMA 7 & NEMA 9
MULTI-HUB BOXES**



XJAL
(No bottom hub)

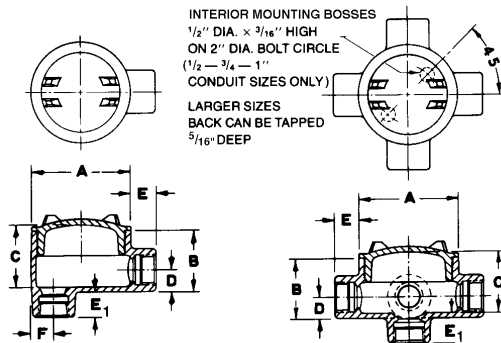


XJAT
(No bottom hub)



XJAX
(No bottom hub)

Catalog Number	Conduit Size (In.)	Standard Pkg. Quantity	Standard Pkg. Weight Lbs.
XJAT-26	1/2	10	10
XJAT-36	3/4	10	10
XJAT-46	1	10	13
XJAT-570	1 1/4	5	27
XJAT-690	1 1/2	4	21
XJAT-890	2	4	23
XJAX-26	1/2	10	12
XJAX-36	3/4	10	14
XJAX-46	1	10	15
XJAX-570	1 1/4	5	27
XJAX-690	1 1/2	4	21
XJAX890	2	4	23



Conduit Size	DIMENSIONS (inches)						
	A	B	C	D	E	F	E ₁
1/2	3 1/2	2	2	5/8	7/8	1 1/16	7/8
3/4	3 1/2	2	2	3/4	7/8	1 3/16	7/8
1	3 1/2	2 1/16	2 3/16	7/8	1	1 5/16	1
1 1/4	6 3/8	3 3/16	3 3/4	1 3/32	1 1/16	1 13/32	1
1 1/2	6 3/8	3 3/16	3 3/4	1 9/32	3/4	1 19/32	1
2	6 3/8	3 13/16	4	1 1/16	3/4	1 7/8	1

NEMA 4 WATERTIGHT OPTIONAL:
Consult factory for availability and/or certifications.



Compliances

- NEC Class I, Groups C, D
Class II, Groups E, F, G
- UL Standard 886 - CSA Standard C22.2 No. 30