

## APQ Arktite® Circuit Breaking Motor Plugs

NEMA 4 Watertight

### APJ Plugs, APR Cable Connector Receptacles

30/60/100 A, 250 VDC/600 VAC, 50\*\*-400 hertz

#### Application:

APQ motor plugs are used:  
 • on portable electric equipment

#### Features:

- Eliminates problem of storing and protecting a long length of portable cord and plug on portable device
- Connection to fixed receptacle used as power source is made with cord sets which may be hung on wall, out of the way
- Cord sets are made up using an APR receptacle at one end and an APJ plug at the other
- Cord sets may be used singly or connected together to provide longer lengths when needed
- With spare cord sets on hand, portable equipment may be kept in service while normal cord replacement is being made
- Where design of portable equipment permits, APQ motor plugs can be attached directly to a sheet metal panel or cabinet
- May be mounted on AR and AJ back boxes for conduit connection
- See typical installation diagram on page 972

#### Standard Materials:

- Motor plugs: mounting plate – *Feraloy*®, Iron Alloy; protective sleeve – copper-free aluminum
- Plug and receptacle exteriors – copper-free aluminum
- Back boxes – copper-free aluminum
- Insulation – fiberglass-reinforced polyester
- Pressure and solder contacts – brass
- Crimp/solder contacts – leaded red brass

#### Standard Finishes:

- *Feraloy* – electrogalvanized and aluminum acrylic paint
- Copper-free aluminum – natural
- Brass – natural
- Fiberglass-reinforced polyester – natural (red)
- Leaded red brass – electro-tin-plate

#### Options:

Available with these assemblies:  
 • Special polarity (add suffix S4 to Cat. No.)  
 See page 938 for details.

#### Certifications and Compliances:

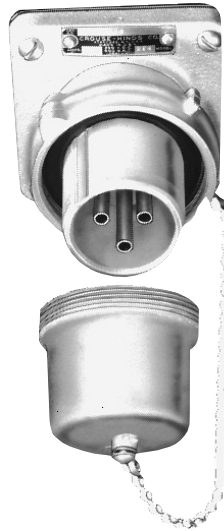
- UL Standards: 514, 1682
  - CSA Standard C22.2 No. 182.1
- NOTE: For general information on application, features and grounding, refer to pages 936 and 937.

‡ Style 1 – Grounded through shell.

Style 2 – Grounded through extra pole and shell.

\* Pressure connectors are standard. Crimp/solder terminators are optionally available for 2, 3 and 4 pole 30 ampere, 3 and 4-pole 60 and 100 ampere. For details, see page 938. To specify, add the suffix "T" to the catalog number. For example: APR3355-T (Connector) APJ3375-T (Plug)

\*\* For use on systems less than 60 hertz the receptacles, plugs and connectors are for disconnect use only.



APQ Motor plugs with square flange, gaskets, fastening ring, and exposed contacts.



APR Cable connector receptacles with cable grip, Neoprene bushing, and protected contacts.



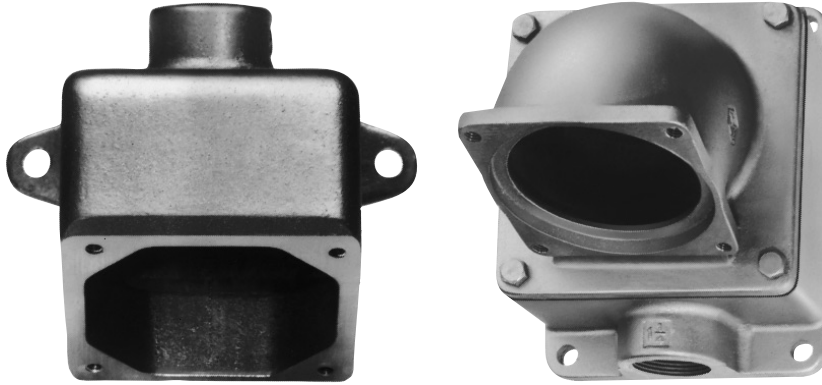
APJ Plugs with cable grip, Neoprene bushing, exposed contacts, and fastening ring.

Amps	Style‡	Description	Plug Cat. #	Cable Dia.	Cable Connector Receptacle Cat. #	Motor Plug Cat. #
30	1	2-wire, 2-pole	APJ3275	0.60 to 0.88	APR3253	APQ327
		3-wire, 3-pole	APJ3375	0.60 to 0.88	APR3353	APQ337
		4-wire, 4-pole	APJ3475	0.60 to 0.88	APR3453	APQ347
		2-wire, 3-pole	APJ3385	0.60 to 0.88	APR3363	APQ338
	2	3-wire, 4-pole	APJ3485	0.60 to 0.88	APR3463	APQ348
		3-wire, 4-pole	APJ3485	0.87 to 1.02	APR3465	APQ348
60	1	2-wire, 2-pole	APJ6275	0.75 to 0.88	APR6253	APQ627
		3-wire, 3-pole	APJ6375	0.75 to 0.88	APR6353	APQ637
		4-wire, 4-pole	APJ6475	0.75 to 0.88	APR6453	APQ647
		2-wire, 3-pole	APJ6385	0.75 to 0.88	APR6363	APQ638
	2	3-wire, 4-pole	APJ6485	0.75 to 0.88	APR6463	APQ648
		3-wire, 4-pole	APJ6485	0.87 to 1.37	APR6465	APQ648
100	1	2-wire, 2-pole	APJ10277	1.00 to 1.38	APR10255	APQ1027
		3-wire, 3-pole	APJ10377	1.00 to 1.38	APR10355	APQ1037
		4-wire, 4-pole	APJ10477	1.00 to 1.38	APR10455	APQ1047
		2-wire, 3-pole	APJ10387	1.00 to 1.38	APR10365	APQ1038
	2	3-wire, 4-pole	APJ10487	1.00 to 1.38	APR10465	APQ1048
		3-wire, 4-pole	APJ10487	1.37 to 1.50	APR10467	APQ1048

## Typical Back Boxes

Weatherproof

For APQ Arktite® Circuit Breaking Motor Plugs



Typical back boxes used with APQ motor plugs

### ARE

For APQ 30 Amp.

Hub Size	Cat. #
1/2	ARE13
3/4	ARE23
1	ARE33

For APQ 60 Amp.

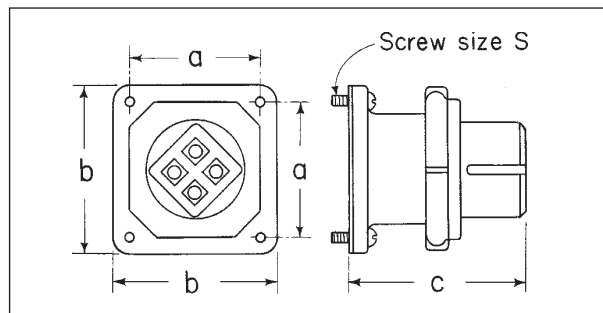
Hub Size	Cat. #
1	ARE36
1 1/4	ARE46
1 1/2	ARE56

### AJ

For APQ 60 and 100 Amp.

Hub Size	Cat. #
1	AJ37
1 1/4	AJ47
1 1/2	AJ57
2	AJ67

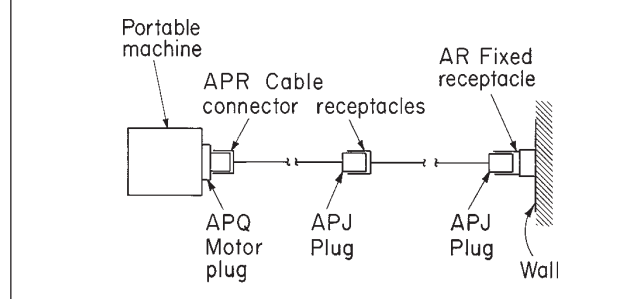
## Dimensions



### APQ Motor Plugs

Amps.	a	b	c	s
30	2 3/4	3 3/8	3 5/8	12-24
60	3 1/2	4 1/4	4 7/8	5/16-18
100 (2 & 3-pole)	3 1/2	4 1/4	6 1/8	5/16-18
100 (4-pole)	3 1/2	4 1/4	6 7/16	5/16-18

### Typical installation



NOTE: For dimensions of APR cable connector receptacles and APJ plugs, refer to page 968. For additional back box listings, see pages 957 and 958. For back box dimensions, see pages 965 and 966.