

Champ® FMV nR Floodlights

The Champ FMV nR Series floodlight offers exceptional illumination in industrial areas, both indoors and out. And, it comes standard as a restricted breathing luminaire. The Champ FMV nR Series Floodlight is easily adjusted to aim light where it's needed and is available in a wide variety of energy-saving mogul base HID light sources and wattages including:

- 150–400W High Pressure Sodium
- 175–400W Metal Halide

The FMV is made with heavy-duty, die-cast aluminum components and stainless steel hardware. It offers superior corrosion resistance to ensure longer life, which makes the FMV floodlight the ideal choice for a wide variety of industrial applications including wet and marine environments.

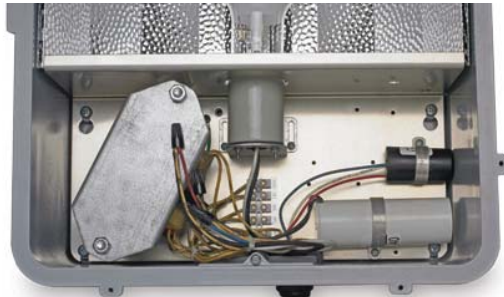


The only full frame trunnion mount floodlight with a T3 rating and a removable ballast tray assembly.

Key Features & Benefits:

- **AEx nR, Ex nR restricted breathing rating is standard**—a hazardous location luminaire without additional accessories or options; restricted breathing offers cooler T-numbers for increased hazardous locations suitability
- **NEMA 7x6 butterfly beam floodlight pattern**—wide, uniform and far reaching to provide excellent efficiency and more light where you need it
- **NEMA Type 4X and IP66 construction is designed for use indoor and outdoors in marine and wet locations**—with stainless steel external hardware suitable for saltwater and corrosive applications
- **Easy wiring**—standard terminal block with marked terminals saves time and eliminates wiring errors
- **Vapor tight sealing cable connector**—standard
- **Will accommodate existing mounting hardware**—SFA6 slipfitter for pole and SWB6 wall mount
- **Optional metric machining will accept M20 or M25** (must be specified on order)
- **40°C, 55°C and 65°C ambient suitability**—addresses high ambients common at industrial facilities
- **Low ambient capability to -40°C**—perfect for colder climates
- **Heavy-duty, die-cast copper-free aluminum enclosure with epoxy coating and stainless steel hardware**—provides a robust design with industrial grade construction and corrosion resistance
- **Hinged door frame assembly**—has captive cover screws for ease of relamping
- **Yoke mount design**—standard construction provides the greatest mounting flexibility, can be mounted vertically (wall), horizontally (rooftop or floor) or any angle in between
- **3-axis resonance withstand and UL844 vibration compliant**—can stand up to the tough jobs
- **Precision formed aluminum reflector**—superior beam control, distribution and efficiency
- **Multi-tap ballasts**—offering a choice of 120, 208, 240 and 277V; 220V 50Hz, 240V 50Hz, Tri-Tap (120, 277 and 347) and 480V ballasts are also available
- **High light output with a low cost of operation**—cost-effectiveness in a high-wattage floodlight
- **For use with SFA6 Slipfitter Adapter and SWB6 Wall Mount Bracket accessories**—further enhances mounting flexibility

Champ® FMV nR Floodlights



Industry Best for Ease of Installation:

1. Removable ballast tray
2. Prewired to terminal blocks
3. Substantial room for wiring

Standard Materials:

- Fixture housing and door frame assembly—die-cast aluminum
- External hardware—stainless steel
- Lens—heat- and impact-resistant tempered glass
- Yoke—aluminum

Standard Finishes:

- Enclosure and Yoke—Corro-Free™ epoxy powder coat
- Stainless steel—natural

Certifications & Compliances:

NEC/CEC (NEC ballast gear and socket)

- Class I, Division 2—Groups A, B, C, D
- Class I, Zone 2—AEx nR II
- Marine locations
- NEMA Type 4X and IP66
- Wet locations

IEC (IEC ballast gear and socket)

- IEC Zone 2, Ex nR II (pending)

UL/cUL STANDARDS

- 844—Hazardous (Divisions Classified) locations
- 60079-15
- 1598—Luminaires
- 1598A—Supplemental requirements for luminaires for installation on marine vessels

IEC STANDARDS

- 60079-15

Ratings (Electrical/Size):

SOURCES/WATTAGES (MOGUL BASE LAMPS)

- HPS—150, 250 and 400W
- MH—175, 250 and 400W

VOLTAGES

Standard voltage ballasts

- Multi-tap (120, 208, 240 and 277V 60Hz)
- Dual-tap (120 and 277V)
- 480V 60Hz
- Tri-tap (120, 277, 347V 60Hz)

Optional voltage ballasts

- 220V or 240V 50Hz (for export)
- 220V 60Hz (for export)

Isolated ballasts

- 208, 240 or 480V (for Canada)

HUB SIZE

- Standard—3/4" NPT
- Optional—25 mm (M25 x 1.5)

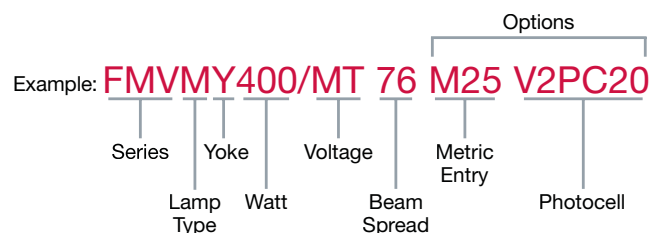
Ordering Information for Floodlight with NEC Ballast:

LAMP TYPE	WATTS	YOKE MOUNT 3/4" NPT HUB
High Pressure Sodium	150	FMVSY150__76
	250	FMVSY250__76
	400	FMVSY400__76
Metal Halide	175	FMVMY175__76
	250	FMVMY250__76
	400	FMVMY400__76

VOLTAGE SUFFIXES†

Voltage (60Hz)	Dual-Tap	Tri-Tap	Multi-Tap	480
Suffix	/DT	/TT	/MT	/480

To complete Catalog Number, add Voltage and Options suffix(es).



†150W HPS fixtures are furnished with ANSI spec/S55 ballasts for 55V lamps. For 100V lamps, add suffix "CE" after voltage suffix. Ex: FMVSY150/MT CE 76

Champ® FMV nR Floodlights

Options:

DESCRIPTION	SUFFIX TO ADD TO CATALOG NO.
Instant Restrike And Ballast Guard	
Instant Restrike—enables a hot HPS lamp to immediately restrike after a momentary loss of arc due to voltage fluctuation or power outage.	TIR
Ballast Guard starter cut out switch—prevents starter pulsing when lamp is cycling or inoperative; prolongs ballast and ignitor life. <ul style="list-style-type: none"> • 150W LX HPS only 	
Factory assembled w/HID lamp installed	FA
Fused (not suitable for marine applications)	S658
20mm metric thread for conduit opening	M20
25mm metric thread for conduit opening	M25
3/4" NPT hub conduit opening	NPT75
Furnished with lamps (not installed)	S714
Retention chain	S831
Pulse-Start Metal Halide	S828
Enclosure machined for 2 conduit/cable entries	S886

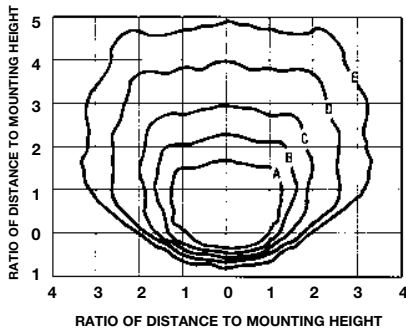
Options for Photocell:

DESCRIPTION	SUFFIX TO ADD TO CATALOG NO.
Photocell 120V, 50/60Hz installed	V2PC20
Photocell 208-240V, 50/60Hz installed	V2PC22
Photocell 277V, 50/60Hz installed	V2PC27

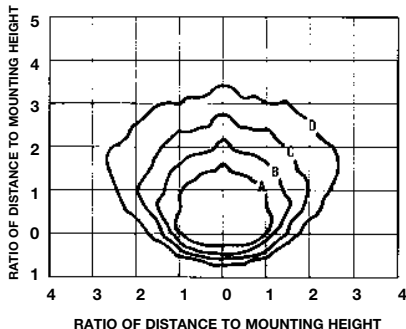
Accessories (Order Separately):

Slipfitter Adapter	SFA6
To be mounted to yoke mount fixture Fits onto 2" pipe/conduit	
Wall Bracket	SWB6
Use with slipfitter adapter SFA6 for easy wall mounting and increased adjustability	

Photometric Data:



Isofootcandle chart FMV
400W High Pressure Sodium (HPS)
 Catalog Number: FMVSY400-76
 Lamp: 400W Clear HPS
 Lumen rating: 50,000
 For 150W HPS, multiply footcandles by .32.
 For 250W HPS, multiply footcandles by 0.6.
 Fixture located at 0°, 0° aiming angle at 45°
 (Note: See Figures 1 and 2 on page 7.)



Isofootcandle chart FMV
400W Metal Halide (MH)
 Catalog Number: FMVMY400-76
 Lamp: 400W Clear MH
 Lumen rating: 34,000
 For 250W MH, multiply footcandles by 0.6.
 Fixture located at 0°, 0° aiming angle 45°
 (Note: See Figures 1 and 2 on page 7.)

Effective Projected Area (EPA):

- For windloading
- For proper pole selection

AIMING ANGLE	EPA
0°	2.9 FT ²
30°	2.5 FT ²
45°	2.1 FT ²

Footcandle Table:

MOUNTING HEIGHT	FOOTCANDLE VALUES FOR ISOFOOTCANDLE LINES				
	A	B	C	D	E
15'	8.00	4.00	2.00	0.80	0.40
20'	4.5	2.3	1.1	0.50	0.23
25'	2.9	1.4	0.7	0.30	0.14
30'	2.0	1.0	0.5	0.20	0.10
35'	1.5	0.7	0.4	0.15	0.07
40'	1.1	0.6	0.3	0.11	0.06

Champ® FMV nR Floodlights

Weight and Dimensions:

NET FIXTURE WEIGHTS (LBS.):

FIXTURES	FMVS	FMVM
150W	37	37
175-250W	40	42
400W	44	44

SFA6 (Slipfitter Adapter)—Add 4 lbs., SWB6 (Wall Bracket)—Add 6 lbs.

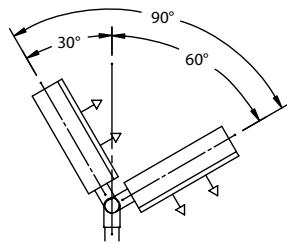


FIGURE 1

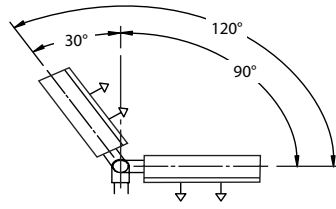
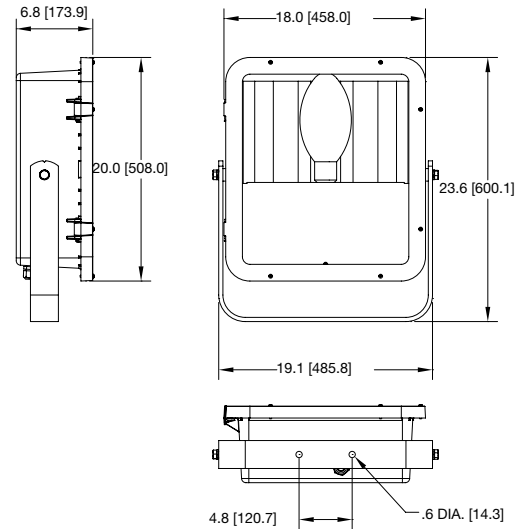


FIGURE 2



Temperature Performance Data:

CATALOG SERIES	LAMP		40°C AMBIENT			55°C AMBIENT			65°C AMBIENT			FIXTURE AIMING RANGE FIGURE	
			TEMPERATURE CODE			TEMPERATURE CODE			TEMPERATURE CODE				
			TYPE	WATTS	CLASS I, ZONE 2	CLASS I, DIV. 2	SUPPLY WIRE °C	CLASS I, ZONE 2	CLASS I, DIV. 2	SUPPLY WIRE °C	CLASS I, ZONE 2		
FMVS	High Pressure Sodium	150	T4	325	90	T4	325	90	T3	325	105	90°	1
			T4	325	90	T3	325	105	T3	325	105	120°	2
		250	T4	325	90	T4	325	90	T3	325	105	90°	1
			T4	325	90	T3	325	105	T3	325	105	120°	2
		400**	T3	325	90	T3	T1	105	-	-	-	90°	1
			T3	325	105	T3	T1	125	-	-	-	120°	2
FMVM	Metal Halide	175	T4	325	90	T4	325	90	T3	325	105	90°	1
			T4	325	90	T4	325	105	T3	325	105	120°	2
		250*	T4	325	90	T4	325	90	T3	325	105	90°	1
			T4	325	90	T4	325	105	T3	325	105	120°	2
		400**	T3	325	90	T3	325	105	-	-	-	90°	1
			T3	325	105	T3	325	125	-	-	-	120°	2
	Pulse-Start Metal Halide	175	T4	325	90	T3	325	105	T3	325	105	90°	1
			T4	325	90	T3	325	105	T3	325	105	120°	2
		250*	T4	325	90	T3	325	105	T3	325	105	90°	1
			T4	325	90	T3	325	105	T3	325	105	120°	2
		400**	T3	350	105	T3	350	105	-	-	-	90°	1
			T3	350	105	T3	T1	125	-	-	-	120°	2

*Suitable for use in 65°C ambient without optional fuses. **Suitable for use in 55°C ambient without optional fuses.

Lamp Selection (Mogul Base):

FIXTURE	WATTS TYPE	BULB	G.E.	OSRAM	PHILIPS
FMVSY150	150 HPS	ED23 1/2 BT25	LU150/55	LU150/55	C150S55
FMVSY250	250 HPS	ED18 1/2 OR ET18	LU250	LU250	C250S50
FMVSY400	400 HPS	ED37 1/2 BT37	LU400	LU400	C400S51
FMVMY175	175 MH	ED28 OR BT28	MVR175/U	M175/U	MH175/U
FMVMY250	250 MH	ED28 OR BT28	MVR250/U	M250/U	MH250/U
FMVMY400	400 MH	ED37 OR BT37	MVR400/U	M400/U	MH400/U