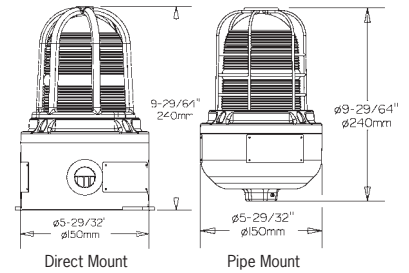


XB15

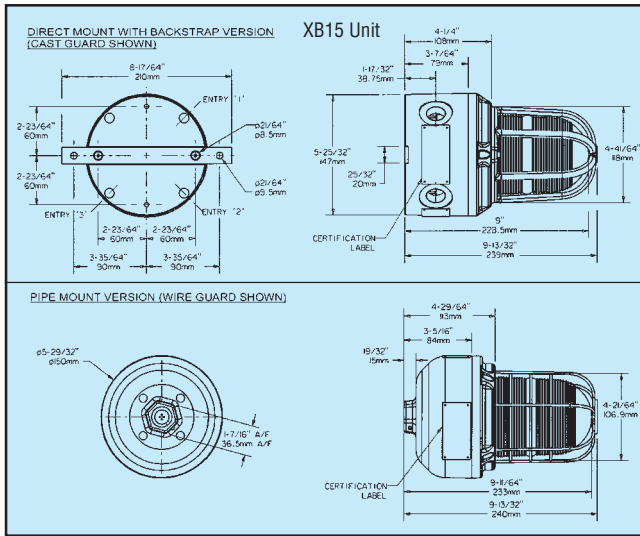
15 Joule Flashing Xenon—Hazardous & Ordinary Locations



Certification UL Listed for:	cUL _{us} ATEX Class I, Div 2, Groups A,B,C,D Class I, Zones 1 & 2, AExd IIC T5/T6
Certified Ambient Temperature	-67°F to +158°F -55°C to +70°C
Ingress Protection	NEMA 4X & 6 IP66 & 67
Material	Corrosion-free GRP
Entries	Up to 3 x 1/2" NPT or 3 x 3/4" NPT
Weight	6–8lb/2.6–3.6kg
Options: Body & lens color, voltages 12–48V DC, 110–254V AC	



Certification	Voltage	Lens Color	Ordering Code	Catalog #	Standard Product Configuration
UL, cUL Listed, Class I, Div 2, Groups A, B, C, D	120V AC	Red	869400	XB15UL12006RWBNN	15 joules, direct mount w/backstrap , 2 x 3/4" NPT side entries, wire guard, 60 flashes per minute, natural black finish
UL, cUL Listed, Class I, Div 2, Groups A, B, C, D	120V AC	Amber	869401	XB15UL12006AWBNN	
UL, cUL Listed, Class I, Div 2, Groups A, B, C, D	120V AC	Red	869402	XB15UL12006RWPNN	15 joules, pipe mount , 1 x 3/4" NPT entry, wire guard, 60 flashes per minute, natural black finish
UL, cUL Listed, Class I, Div 2, Groups A, B, C, D	120V AC	Amber	869403	XB15UL12006AWPNN	
UL, cUL Listed, Class I, Div 2, Groups A, B, C, D	24V DC	Clear	27600042	XB15UL02406CWBNN	15 joule beacon, 60 flashes per minute, wire guard, backstrap , 2 x 3/4" NPT entries, natural black enclosure
UL, cUL Listed, Class I, Div 2, Groups A, B, C, D	24V DC	Green	27600043	XB15UL02406GWBNN	
UL, cUL Listed, Class I, Div 2, Groups A, B, C, D	24V DC	Blue	869393	XB15UL02406BWBNN	
UL, cUL Listed, Class I, Div 2, Groups A, B, C, D	24V DC	Red	869398	XB15UL02406RWBNN	
UL, cUL Listed, Class I, Div 2, Groups A, B, C, D	24V DC	Amber	869399	XB15UL02406AWBNN	
UL, cUL Listed, Class I, Div 2, Groups A, B, C, D	24V DC	Clear	27600047	XB15UL02406CWPNN	15 joule beacon, 60 flashes per minute, wire guard, pipe mounting , 1 x 3/4" NPT entry, natural black enclosure
UL, cUL Listed, Class I, Div 2, Groups A, B, C, D	24V DC	Green	27600048	XB15UL02406GWPNN	
UL, cUL Listed, Class I, Div 2, Groups A, B, C, D	24V DC	Blue	869394	XB15UL02406BWPNN	
UL, cUL Listed, Class I, Div 2, Groups A, B, C, D	24V DC	Red	869396	XB15UL02406RWPNN	
UL, cUL Listed, Class I, Div 2, Groups A, B, C, D	24V DC	Amber	869397	XB15UL02406AWPNN	
UL, cUL Listed, Class I, Div 2, Groups A, B, C, D	120V AC	Clear	27600052	XB15UL12006CWBNN	15 joule beacon, 60 flashes per minute, wire guard, backstrap , 2 x 3/4" NPT entries, natural black enclosure
UL, cUL Listed, Class I, Div 2, Groups A, B, C, D	120V AC	Green	27600053	XB15UL12006GWBNN	
UL, cUL Listed, Class I, Div 2, Groups A, B, C, D	120V AC	Blue	869405	XB15UL12006BWBNN	
UL, cUL Listed, Class I, Div 2, Groups A, B, C, D	120V AC	Clear	27600057	XB15UL12006CWPNN	15 joule beacon, 60 flashes per minute, wire guard, pipe mounting , 1 x 3/4" NPT entry, natural black enclosure
UL, cUL Listed, Class I, Div 2, Groups A, B, C, D	120V AC	Green	27600058	XB15UL12006GWPNN	
UL, cUL Listed, Class I, Div 2, Groups A, B, C, D	120V AC	Blue	869404	XB15UL12006BWPNN	



Electrical Ratings:

	DC		AC				
	24	48	110	120	230	240	254
Voltage	24	48	110	120	230	240	254
Current (A) at 60 fpm	.78	.67	0.4	0.4	0.2	0.2	0.17
Current (A) at 80 fpm	.99	.73	0.4	0.4	0.2	0.2	0.17
Current (A) at 120 fpm	.99	.73	0.4	0.4	0.2	0.2	0.17
Effective Candlepower	330 (Effective candlepower is the intensity that would appear to an observer if the light was burning steadily)						
Peak Candlepower	520,000 (Peak candlepower is the maximum light intensity generated by a flashing light during its light pulse)						

Multiplying Factor for Colored Lenses:

Red	Blue	Amber	Green	Yellow
0.15	0.12	0.51	0.49	0.86

Specification—XB15 Unit

Certification:	UL Listed for USA and Canada: – Hazardous locations Class I, Div 2, groups A, B, C & D Class I, Zone 1, AExd IIC T5/T6 UL listing No. E187894. – Ordinary locations: Visual Signal Device UL listing No. S8128 CENELEC/ATEX approved. CENELEC EN50014 & EN50018 ATEX Cert. No. Baseefa 04ATEX0009X.
Material:	Body: Glass reinforced polyester. Lens: Glass. Backstrap: stainless steel 316. Wire Guard (optional): Stainless steel wire. Cast Guard (optional): Aluminium LM25M.
Finish:	Natural black or epoxy painted to customer specification.
Voltage:	24, 48V DC 110, 120, 230, 240, 254V AC
Tube Energy:	15 joules.
Tube Life:	>1 x 10 ⁸ flashes.
Flash Rate:	60, 80, 120 fpm.
Certified Temperature:	-67°F to +131°F (-55°C to +55°C) T6. -67°F to +158°F (-55°C to +70°C) T5.
Weight:	Pipe mount: 5¾lb/2.6kg; Direct mount: 6½lb/3.0kg.
Ingress Protection:	NEMA 4X & 6, IP66 & IP67.
Entries:	Supplied as 2 x ¼" NPT (direct mount) or ¼" (pipe mount) as standard. Other options available: Up to 3 x ½" NPT or 3 x ¾" NPT (direct mount); ½" NPT (pipe mount) — contact sales office to order.
Terminals:	Direct mount: 12 x 14AWG. Pipe mount: 8 x 14AWG.
Relay Initiate:	Available on all units — suitable for 24V DC supplies only.
Labels:	Tag/Duty label option.

Ordering Requirements

The following code is designed to help in the selection of the correct unit. Build up the reference number by inserting the code for each component into the appropriate box.

Model	Certification	Voltage	Lens Flashrate	Lens Color	Unit Guard	Fixing	Unit Options	Finish
XB15	<input type="text"/>	<input type="text"/>	06	<input type="text"/>	<input type="text"/>	<input type="text"/>	N	N

Certification	Code	Voltage	Code	Guard	Code
ATEX	B	24V DC	024	None	N
UL	UL	110V AC	110	Cast	C
		120V AC	120	Wire	W
		240V AC	240		

Lens Flashrate	Code	Color	Code
08	80 fpm	Red	R
12	120 fpm	Blue	B
		Green	G
		Amber	A
		Yellow	Y
		Clear	C

Unit Fixing	Code
Pipe mount	P*
Direct w/backstrap	B

*Not available on ATEX version.