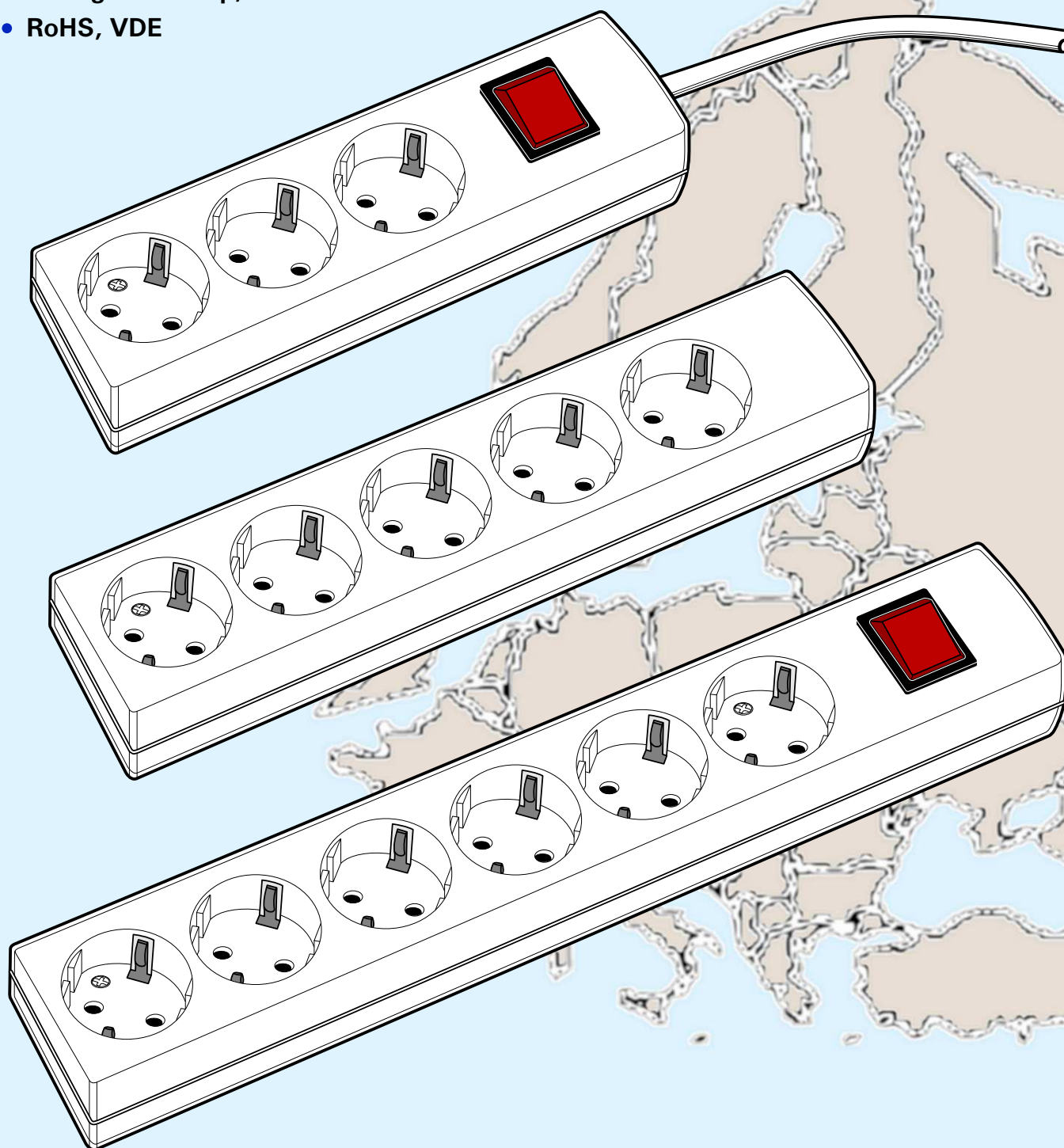


## Europe, Germany



### SOCKET OUTLET STRIPS

- Multiple Outlets turned 45 degree (3 to 6 outlets)
- Switched (Lighted ON/OFF) and Unswitched Versions
- with or without Power Cord 1.0mm<sup>2</sup> or 1.5mm<sup>2</sup>
- Plugs with straight or side cable entry (CEE 7/4 and CEE 7/7)
- available in various colors (Standard: Black and White)
- Ratings: 16 Amp, 250 Volt AC
- RoHS, VDE



## Europe, Germany



### Portable Socket Outlet Strips, 1049 Series

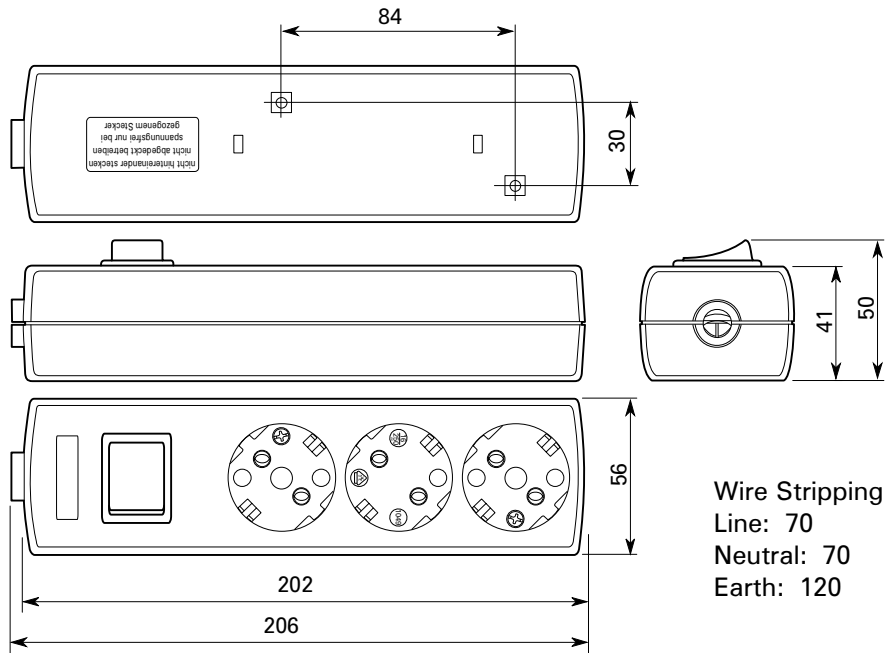
Switched, 3-Outlets turned 45 degree

#### Features

- 3-Way Socket Outlet Strips
- Ratings: 16 Amp, 250 Volt AC
- 2-Pole 3-Wire Grounding (2P + E)
- Lighted ON/OFF Switch
- Sockets Turned 45 Degree
- Standards according to: DIN VDE 0620-1:2005 / DIN 49 440 Part 1
- Screw Terminals (CuZn 36 / CuZn 37 / CuZn 39)
- Rewireable for Supply Line: H05VV-F 3G1.0 mm<sup>2</sup> or H05VV-F 3G1.5 mm<sup>2</sup> Tested by VDE
- Standard Colors: Black and White
- Housing and Carrying Parts: Polypropylene

Further colors (depending on quantity), versions with power supply cord and plug assembled, special cord length etc. available upon special order (contact our sales office for further informations).

#### Dimensions



Wire Stripping  
Line: 70  
Neutral: 70  
Earth: 120

NOTE: Technical data are nominal for information only and subject to change without notice. Dimensions in mm.

### ORDERING GUIDE      SERIES, COLOR – OPTIONAL CORD      EXAMPLE: 1049BK-ZL015-515

Series   Color   Cord   Length   Plug No.  
1049   -   -   -   -

Standard Color Code	Cord Type	Standard Cord Length	Standard Plug Type
<b>BK</b> Black <b>WH</b> Lime White BR = Brown, OR = Orange, RD = Red, GN = Green, GD = Gold Further colors on request.	<b>ZL</b> H05VV-F 3G1.0 mm <sup>2</sup> <b>ZX</b> H05VV-F 3G1.5 mm <sup>2</sup> Black or white, matching to the power strip. Other and special colors on request.	<b>015</b> 1.5 m <b>020</b> 2.0 m <b>030</b> 3.0 m <b>050</b> 5.0 m Special length on request.	<b>515</b> Straight Cable Entry, CEE 7/4 Plug dimensions and specifications see last page. Further plugs on request.

## Europe, Germany



### Portable Socket Outlet Strips, 1064 Series

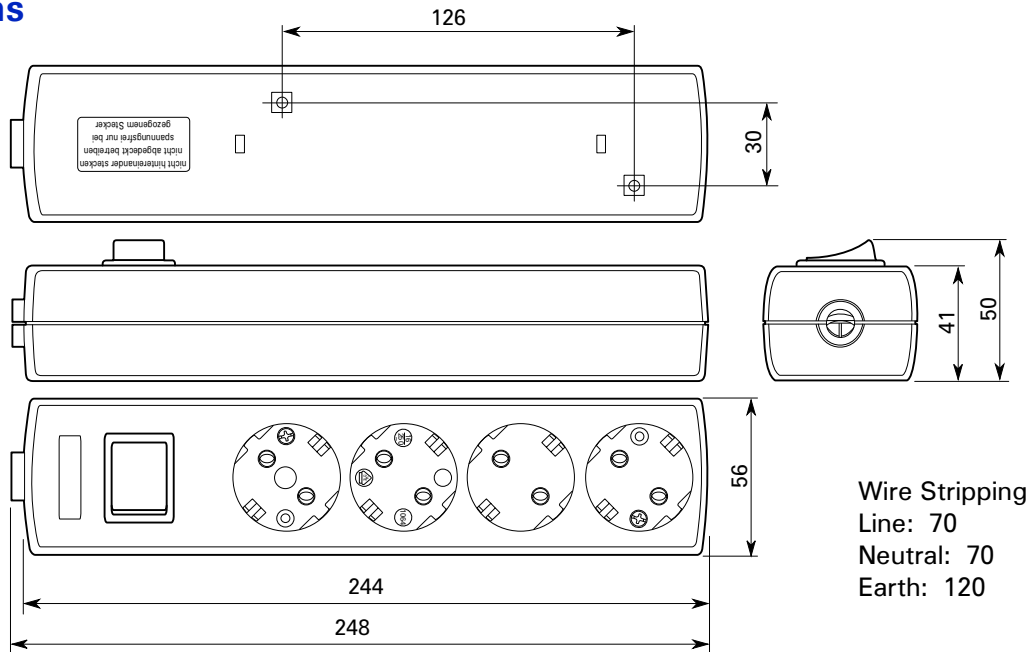
Switched, 4-Outlets turned 45 degree

#### Features

- 4-Way Socket Outlet Strips
- Ratings: 16 Amp, 250 Volt AC
- 2-Pole 3-Wire Grounding (2P + E)
- Lighted ON/OFF Switch
- Sockets Turned 45 Degree
- Standards according to: DIN VDE 0620-1:2005 / DIN 49 440 Part 1
- Screw Terminals (CuZn 36 / CuZn 37 / CuZn 39)
- Rewireable for Supply Line: H05VV-F 3G1.0 mm<sup>2</sup> or H05VV-F 3G1.5 mm<sup>2</sup> Tested by VDE
- Standard Colors: Black and White
- Housing and Carrying Parts: Polypropylene

Further colors (depending on quantity), versions with power supply cord and plug assembled, special cord length etc. available upon special order (contact our sales office for further informations).

#### Dimensions



NOTE: Technical data are nominal for information only and subject to change without notice. Dimensions in mm.

### ORDERING GUIDE      SERIES, COLOR – OPTIONAL CORD      EXAMPLE: 1064BK-ZX030-517

Series    Color    Cord    Length    Plug No.  
**1064**    -    -    -    -    -

Standard Color Code	Cord Type	Standard Cord Length	Standard Plug Type
<b>BK</b> Black	<b>ZL</b> H05VV-F 3G1.0 mm <sup>2</sup>	<b>015</b> 1.5 m	<b>515</b> Straight Cable Entry, CEE 7/4
<b>WH</b> Lime White	<b>ZX</b> H05VV-F 3G1.5 mm <sup>2</sup>	<b>020</b> 2.0 m	<b>517</b> Side Cable Entry, CEE 7/4
<b>BR</b> = Brown, <b>OR</b> = Orange, <b>RD</b> = Red, <b>GN</b> = Green, <b>GD</b> = Gold	Black or white, matching to the power strip. Other and special colors on request.	<b>030</b> 3.0 m	<b>639</b> Side Cable Entry, CEE 7/7
Further colors on request.		<b>050</b> 5.0 m	Plug dimensions and specifications see last page.
		Special length on request.	Further plugs on request.

## Europe, Germany



### Portable Socket Outlet Strips, 1085 Series

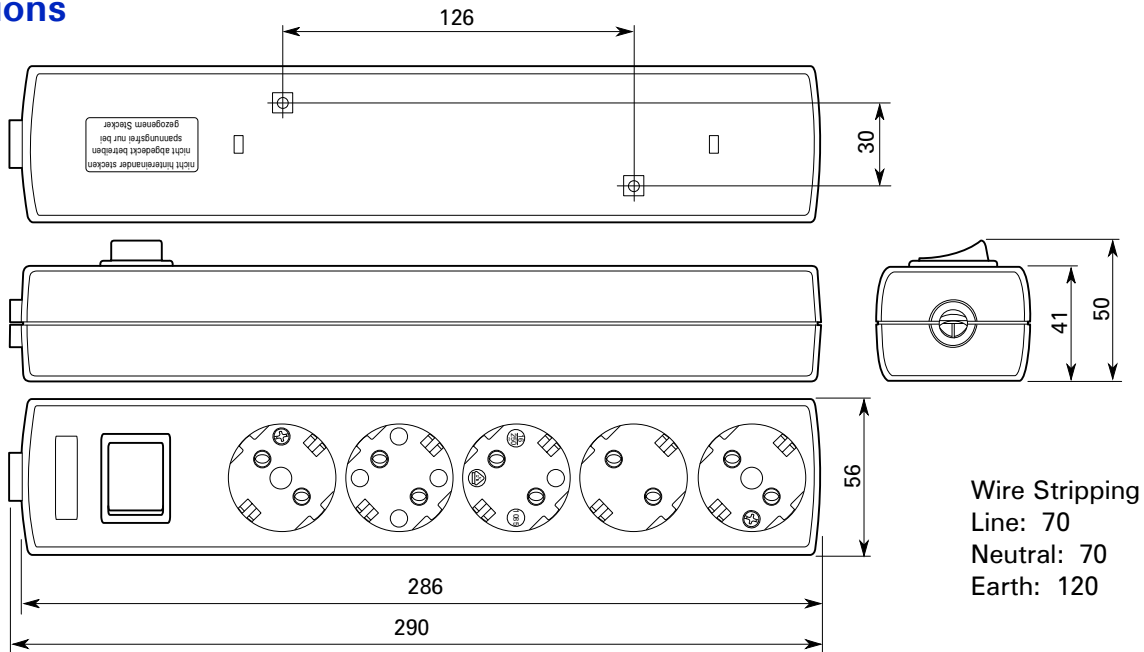
Switched, 5-Outlets turned 45 degree

#### Features

- 5-Way Socket Outlet Strips
- Ratings: 16 Amp, 250 Volt AC
- 2-Pole 3-Wire Grounding (2P + E)
- Lighted ON/OFF Switch
- Sockets Turned 45 Degree
- Standards according to: DIN VDE 0620-1:2005 / DIN 49 440 Part 1
- Screw Terminals (CuZn 36 / CuZn 37 / CuZn 39)
- Rewireable for Supply Line: H05VV-F 3G1.0 mm<sup>2</sup> or H05VV-F 3G1.5 mm<sup>2</sup> Tested by VDE
- Standard Colors: Black and White
- Housing and Carrying Parts: Polypropylene

Further colors (depending on quantity), versions with power supply cord and plug assembled, special cord length etc. available upon special order (contact our sales office for further informations).

#### Dimensions



NOTE: Technical data are nominal for information only and subject to change without notice. Dimensions in mm.

### ORDERING GUIDE      SERIES, COLOR – OPTIONAL CORD      EXAMPLE: 1085WH-ZL015-639

Series    Color    Cord    Length    Plug No.  
1085    -    -    -    -

Standard Color Code	Cord Type	Standard Cord Length	Standard Plug Type
<b>BK</b> Black <b>WH</b> Lime White <b>BR</b> = Brown, <b>OR</b> = Orange, <b>RD</b> = Red, <b>GN</b> = Green, <b>GD</b> = Gold Further colors on request.	<b>ZL</b> H05VV-F 3G1.0 mm <sup>2</sup> <b>ZX</b> H05VV-F 3G1.5 mm <sup>2</sup> Black or white, matching to the power strip. Other and special colors on request.	<b>015</b> 1.5 m <b>020</b> 2.0 m <b>030</b> 3.0 m <b>050</b> 5.0 m Special length on request.	<b>515</b> Straight Cable Entry, CEE 7/4 <b>517</b> Side Cable Entry, CEE 7/4 <b>639</b> Side Cable Entry, CEE 7/7 Plug dimensions and specifications see last page. Further plugs on request.

## Europe, Germany



### Portable Socket Outlet Strips, 1033 Series

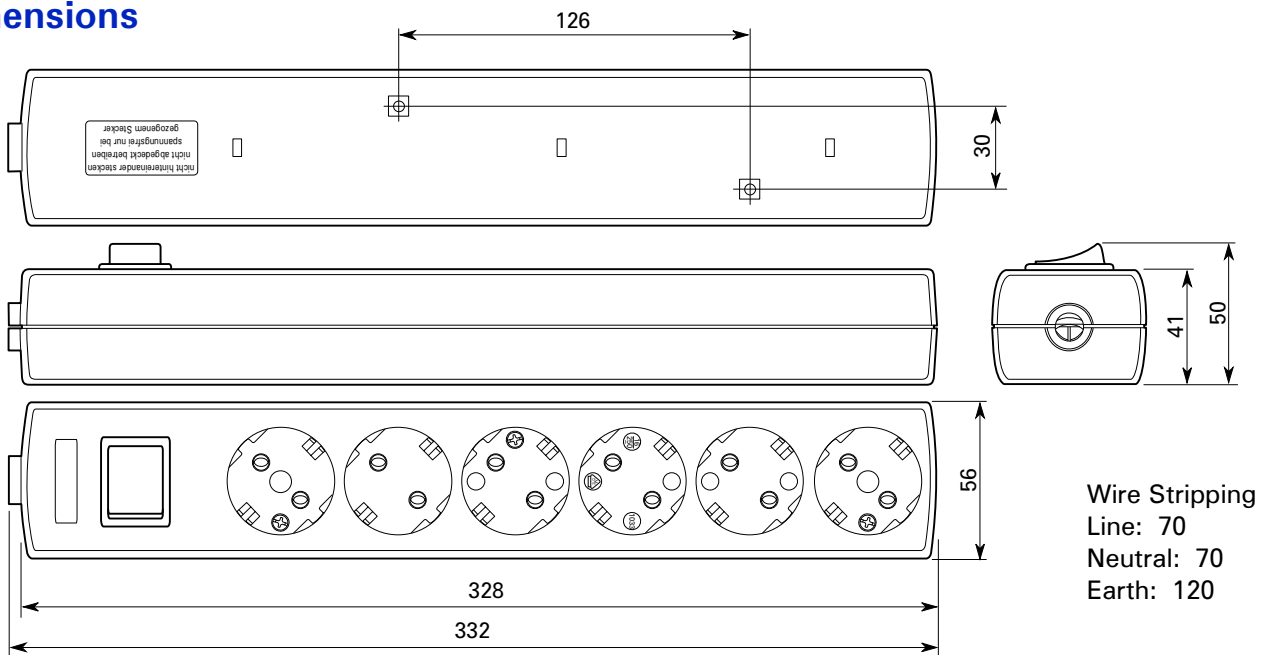
Switched, 6-Outlets turned 45 degree

#### Features

- 6-Way Socket Outlet Strips
- Ratings: 16 Amp, 250 Volt AC
- 2-Pole 3-Wire Grounding (2P + E)
- Lighted ON/OFF Switch
- Sockets Turned 45 Degree
- Standards according to: DIN VDE 0620-1:2005 / DIN 49 440 Part 1
- Screw Terminals (CuZn 37 / CuZn 39)
- Rewireable for Supply Line: H05VV-F 3G1.0 mm<sup>2</sup> or H05VV-F 3G1.5 mm<sup>2</sup> Tested by VDE
- Standard Colors: Black and White
- Housing and Carrying Parts: Polypropylene

Further colors (depending on quantity), versions with power supply cord and plug assembled, special cord length etc. available upon special order (contact our sales office for further informations).

#### Dimensions



NOTE: Technical data are nominal for information only and subject to change without notice. Dimensions in mm.

### ORDERING GUIDE      SERIES, COLOR – OPTIONAL CORD      EXAMPLE: 1033WH-ZL015-515

Series    Color    Cord    Length    Plug No.  
**1033**    -    -    -    -    -

Standard Color Code	Cord Type	Standard Cord Length	Standard Plug Type
<b>BK</b> Black <b>WH</b> Lime White BR = Brown, OR = Orange, RD = Red, GN = Green, GD = Gold Further colors on request.	<b>ZL</b> H05VV-F 3G1.0 mm <sup>2</sup> <b>ZX</b> H05VV-F 3G1.5 mm <sup>2</sup> Black or white, matching to the power strip. Other and special colors on request.	<b>015</b> 1.5 m <b>020</b> 2.0 m <b>030</b> 3.0 m <b>050</b> 5.0 m Special length on request.	<b>515</b> Straight Cable Entry, CEE 7/4 Plug dimensions and specifications see last page. Further plugs on request.

## Europe, Germany



### Portable Socket Outlet Strips, 1047 Series

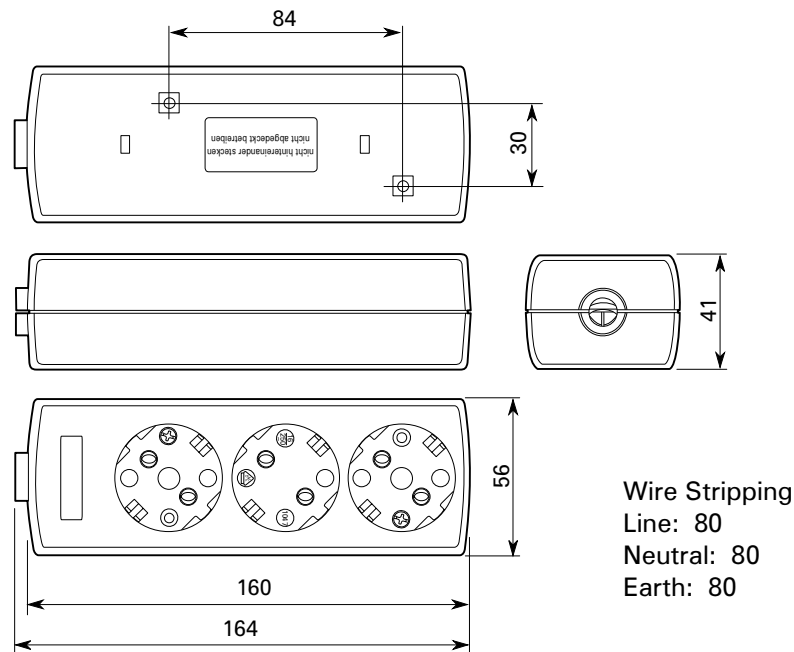
3-Outlets turned 45 degree, without Switch

#### Features

- 3-Way Socket Outlet Strips
- Ratings: 16 Amp, 250 Volt AC
- 2-Pole 3-Wire Grounding (2P + E)
- Sockets Turned 45 Degree
- Standards according to: DIN VDE 0620-1:2005 / DIN 49 440 Part 1
- Screw Terminals (CuZn 36 / CuZn 37 / CuZn 39)
- Rewireable for Supply Line: H05VV-F 3G1.0 mm<sup>2</sup> or H05VV-F 3G1.5 mm<sup>2</sup> Tested by VDE
- Standard Colors: Black and White
- Housing and Carrying Parts: Polypropylene

Further colors (depending on quantity), versions with power supply cord and plug assembled, special cord length etc. available upon special order (contact our sales office for further informations).

#### Dimensions



NOTE: Technical data are nominal for information only and subject to change without notice. Dimensions in mm.

### ORDERING GUIDE      SERIES, COLOR – OPTIONAL CORD      EXAMPLE: 1047WH-ZL015-515

Series    Color    Cord    Length    Plug No.  
1047    -    -    -    -

Standard Color Code	Cord Type	Standard Cord Length	Standard Plug Type
<b>BK</b> Black <b>WH</b> Lime White <b>BR</b> = Brown, <b>OR</b> = Orange, <b>RD</b> = Red, <b>GN</b> = Green, <b>GD</b> = Gold Further colors on request.	<b>ZL</b> H05VV-F 3G1.0 mm <sup>2</sup> <b>ZX</b> H05VV-F 3G1.5 mm <sup>2</sup> Black or white, matching to the power strip. Other and special colors on request.	<b>015</b> 1.5 m <b>020</b> 2.0 m <b>030</b> 3.0 m <b>050</b> 5.0 m Special length on request.	<b>515</b> Straight Cable Entry, CEE 7/4 <b>517</b> Side Cable Entry, CEE 7/4 <b>639</b> Side Cable Entry, CEE 7/7 Plug dimensions and specifications see last page. Further plugs on request.

**Europe, Germany**



**Portable Socket Outlet Strips, 1048 Series**

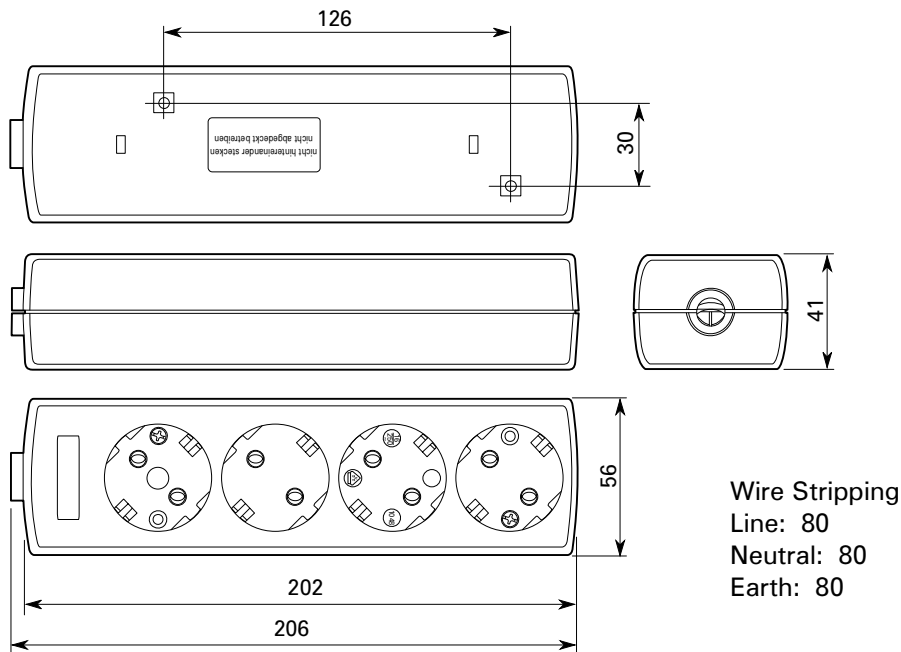
4-Outlets turned 45 degree, without Switch

**Features**

- 4-Way Socket Outlet Strips
- Ratings: 16 Amp, 250 Volt AC
- 2-Pole 3-Wire Grounding (2P + E)
- Sockets Turned 45 Degree
- Standards according to: DIN VDE 0620-1:2005 / DIN 49 440 Part 1
- Screw Terminals (CuZn 36 / CuZn 37 / CuZn 39)
- Rewireable for Supply Line: H05VV-F 3G1.0 mm<sup>2</sup> or H05VV-F 3G1.5 mm<sup>2</sup> Tested by VDE
- Standard Colors: Black and White
- Housing and Carrying Parts: Polypropylene

Further colors (depending on quantity), versions with power supply cord and plug assembled, special cord length etc. available upon special order (contact our sales office for further informations).

**Dimensions**



NOTE: Technical data are nominal for information only and subject to change without notice. Dimensions in mm.

**ORDERING GUIDE      SERIES, COLOR – OPTIONAL CORD      EXAMPLE: 1048BK-ZL015-515**

Series   Color   Cord   Length   Plug No.  
**1048**   -   -   -   -   -

Standard Color Code	Cord Type	Standard Cord Length	Standard Plug Type
<b>BK</b> Black <b>WH</b> Lime White <b>BR</b> = Brown, <b>OR</b> = Orange, <b>RD</b> = Red, <b>GN</b> = Green, <b>GD</b> = Gold Further colors on request.	<b>ZL</b> H05VV-F 3G1.0 mm <sup>2</sup> <b>ZX</b> H05VV-F 3G1.5 mm <sup>2</sup> Black or white, matching to the power strip. Other and special colors on request.	<b>015</b> 1.5 m <b>020</b> 2.0 m <b>030</b> 3.0 m <b>050</b> 5.0 m Special length on request.	<b>515</b> Straight Cable Entry, CEE 7/4 <b>517</b> Side Cable Entry, CEE 7/4 <b>639</b> Side Cable Entry, CEE 7/7 Plug dimensions and specifications see last page. Further plugs on request.

## Europe, Germany



### Portable Socket Outlet Strips, 1065 Series

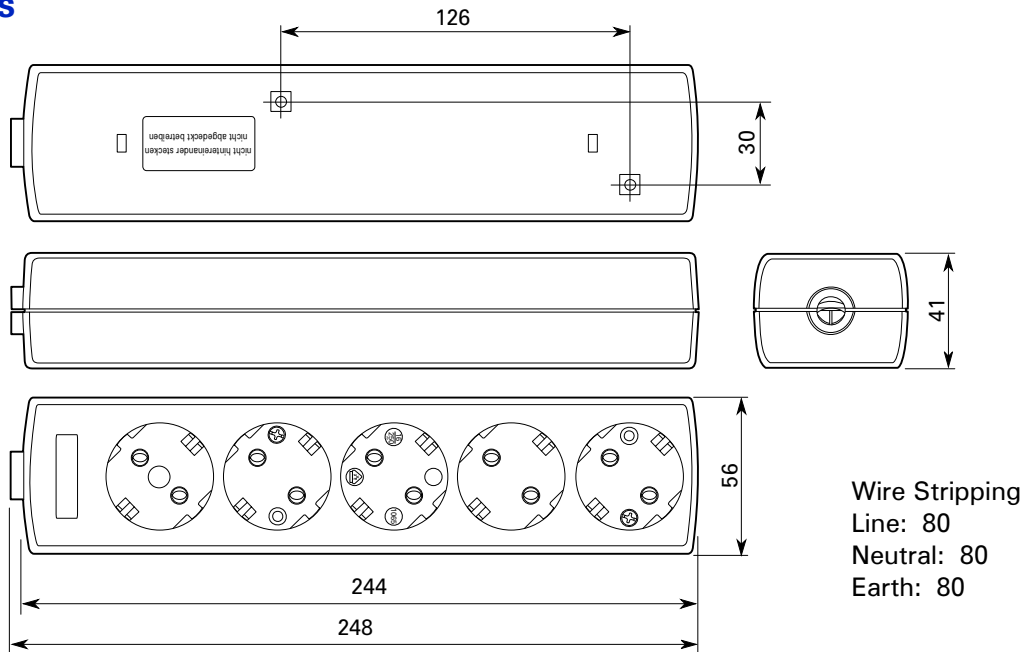
5-Outlets turned 45 degree, without Switch

#### Features

- 5-Way Socket Outlet Strips
- Ratings: 16 Amp, 250 Volt AC
- 2-Pole 3-Wire Grounding (2P + E)
- Sockets Turned 45 Degree
- Standards according to: DIN VDE 0620-1:2005 / DIN 49 440 Part 1
- Screw Terminals (CuZn 36 / CuZn 37 / CuZn 39)
- Rewireable for Supply Line: H05VV-F 3G1.0 mm<sup>2</sup> or H05VV-F 3G1.5 mm<sup>2</sup> Tested by VDE
- Standard Colors: Black and White
- Housing and Carrying Parts: Polypropylene

Further colors (depending on quantity), versions with power supply cord and plug assembled, special cord length etc. available upon special order (contact our sales office for further informations).

#### Dimensions



NOTE: Technical data are nominal for information only and subject to change without notice. Dimensions in mm.

### ORDERING GUIDE      SERIES, COLOR – OPTIONAL CORD      EXAMPLE: 1065WH-ZX030-515

Series    Color    Cord    Length    Plug No.  
**1065**    - - -    - - - - -

Standard Color Code	Cord Type	Standard Cord Length	Standard Plug Type
<b>BK</b> Black <b>WH</b> Lime White <b>BR</b> = Brown, <b>OR</b> = Orange, <b>RD</b> = Red, <b>GN</b> = Green, <b>GD</b> = Gold Further colors on request.	<b>ZL</b> H05VV-F 3G1.0 mm <sup>2</sup> <b>ZX</b> H05VV-F 3G1.5 mm <sup>2</sup> Black or white, matching to the power strip. Other and special colors on request.	<b>015</b> 1.5 m <b>020</b> 2.0 m <b>030</b> 3.0 m <b>050</b> 5.0 m Special length on request.	<b>515</b> Straight Cable Entry, CEE 7/4 <b>517</b> Side Cable Entry, CEE 7/4 <b>639</b> Side Cable Entry, CEE 7/7 Plug dimensions and specifications see last page. Further plugs on request.



## Europe, Germany



### Portable Socket Outlet Strips, 1086 Series

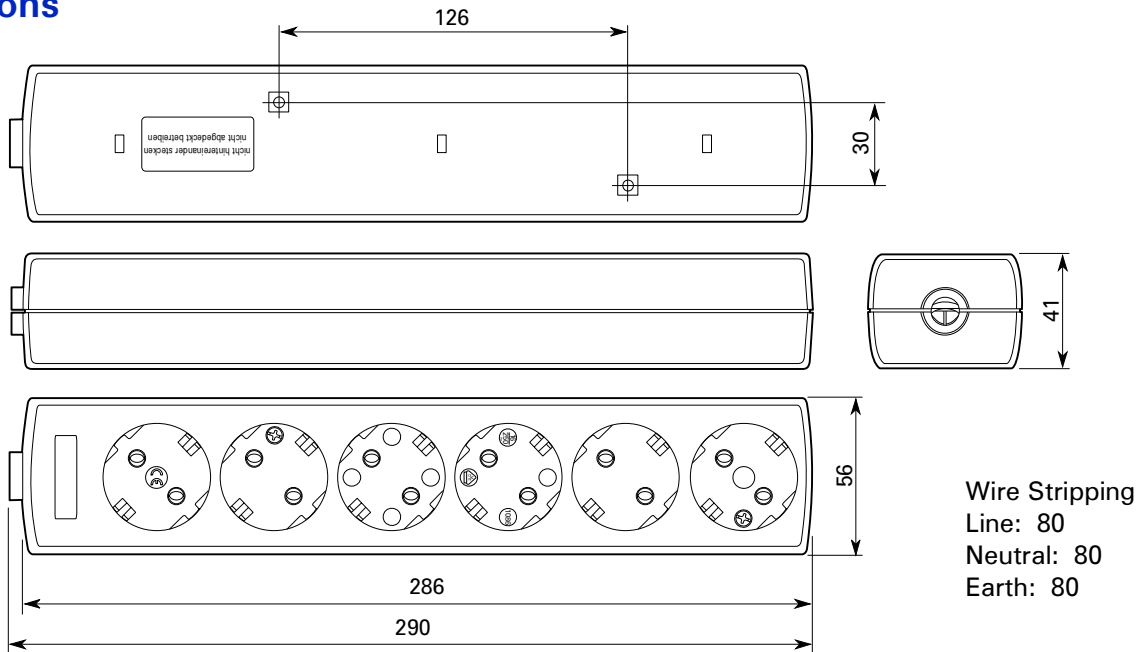
6-Outlets turned 45 degree, without Switch

#### Features

- 6-Way Socket Outlet Strips
- Ratings: 16 Amp, 250 Volt AC
- 2-Pole 3-Wire Grounding (2P + E)
- Sockets Turned 45 Degree
- Standards according to: DIN VDE 0620-1:2005 / DIN 49 440 Part 1
- Screw Terminals (CuZn 36 / CuZn 37 / CuZn 39)
- Rewireable for Supply Line: H05VV-F 3G1.0 mm<sup>2</sup> or H05VV-F 3G1.5 mm<sup>2</sup> Tested by VDE
- Standard Colors: Black and White
- Housing and Carrying Parts: Polypropylene

Further colors (depending on quantity), versions with power supply cord and plug assembled, special cord length etc. available upon special order (contact our sales office for further informations).

#### Dimensions



NOTE: Technical data are nominal for information only and subject to change without notice. Dimensions in mm.

### ORDERING GUIDE      SERIES, COLOR – OPTIONAL CORD      EXAMPLE: 1086BK-ZL015-517

Series   Color   Cord   Length   Plug No.  
**1086**   -   -   -   -   -

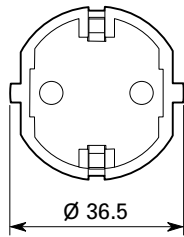
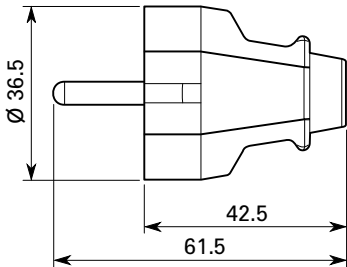
Standard Color Code	Cord Type	Standard Cord Length	Standard Plug Type
<b>BK</b> Black	<b>ZL</b> H05VV-F 3G1.0 mm <sup>2</sup>	<b>015</b> 1.5 m	<b>515</b> Straight Cable Entry, CEE 7/4
<b>WH</b> Lime White	<b>ZX</b> H05VV-F 3G1.5 mm <sup>2</sup>	<b>020</b> 2.0 m	<b>517</b> Side Cable Entry, CEE 7/4
<b>BR</b> = Brown, <b>OR</b> = Orange, <b>RD</b> = Red, <b>GN</b> = Green, <b>GD</b> = Gold	Black or white, matching to the power strip. Other and special colors on request.	<b>030</b> 3.0 m	<b>639</b> Side Cable Entry, CEE 7/7
Further colors on request.		<b>050</b> 5.0 m Special length on request.	Plug dimensions and specifications see last page. Further plugs on request.



## 515ZL Power Supply Cord (2-Pole 3-Wire Grounding) (CEE 7/4) with attached Plug No. 515 (not rewirable)

### FEATURES

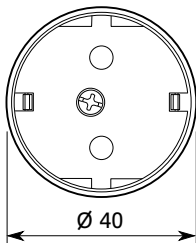
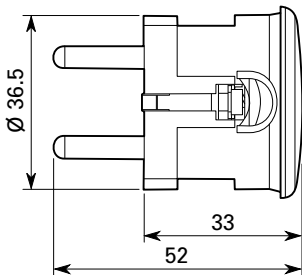
- **Ratings:** 16 Amp, 250 Volt AC
- **Standards:** Acc. to DIN VDE 0620-1:2005, DIN 49 441 Part 1
- **Standard Colors:** Black and White (Further upon Request)
- **Cable end:** Outer jacket removed 35mm, Conductors Stripped and End Ferrules attached
- **Cable types:** H05VV-F 3G1.0 mm<sup>2</sup> or H05VV-F 3G1.5 mm<sup>2</sup>
- **Terminals (Plug):** Crimp (CuZn 37 / CuZn 39)
- **Plug Cover and Carrying Parts:** Polypropylene



## 517 Plug with Side Cable Entry (CEE 7/4) (2-Pole 3-Wire Grounding), Rewirable

### FEATURES

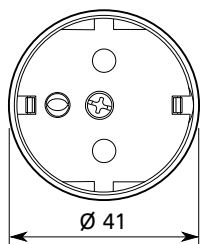
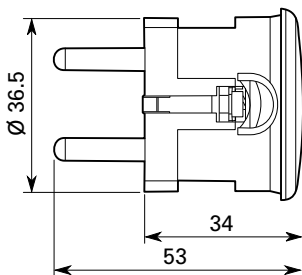
- **Ratings:** 16 Amp, 250 Volt AC
- **Standards:** According to DIN 49 441 Part 1
- **Standard Colors:** Black and White (Further upon Request)
- **Cable types:** H05VV-F 3G0.75 mm<sup>2</sup>, 3G1.0 mm<sup>2</sup>, 3G1.5 mm<sup>2</sup>
- **Wire Stripping:** Line and Neutral 25 mm, Earth 40 mm
- **Terminals:** Screw (CuZn 37 / CuZn 39)
- **Plug Cover and Carrying Parts:** Polypropylene



## 639 Plug with Side Cable Entry, Dual Grounding, (CEE 7/7) (2-Pole 3-Wire Grounding), Rewirable

### FEATURES

- **Ratings:** 16 Amp, 250 Volt AC
- **Standards:** According to DIN 49 441 Part 1
- **Standard Colors:** Black and White (Further upon Request)
- **Cable types:** H05VV-F 3G0.75 mm<sup>2</sup>, 3G1.0 mm<sup>2</sup>, 3G1.5 mm<sup>2</sup>
- **Wire Stripping:** Line and Neutral 25 mm, Earth 40 mm
- **Terminals:** Screw (CuZn 37 / CuZn 39 / Fe)
- **Plug Cover and Carrying Parts:** Urea moulding compound type 131.5 or phenolic moulding compound type 31



*NOTE: Technical data are nominal for information only and subject to change without notice. Dimensions in mm.*

To learn more about B-I-A please visit us at our  
WEB site: [www.BiaGmbH.com](http://www.BiaGmbH.com)

