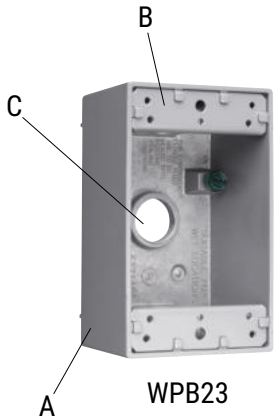


Heavy die-cast aluminum

Product Features



- A. Baked-on electrostatic, polyester, powder paint, for superior scratch- and corrosion-resistant finish.**
- B. Heavy die-cast aluminum.**
- C. Available in 1/2" and 3/4" hub sizes, from 3 to 7 hole configurations.**

Applications

For use in branch circuit wiring in wet, damp, or dry locations

Field Uses

Industrial, Health Care, Education, Institutional, Retail, Office, Hospitality/Lodging, Multiple Dwelling

Quality and Listing Marks



Product Dimensions

Single Gang Box

Two Gang Box

Three Gang Box

Single Gang Deep Box

Two Gang Deep Box

Must not be disposed with household waste!

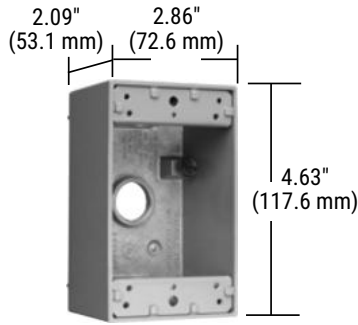
Installation may only be carried by people (qualified electricians) with relevant electrical engineering knowledge and experiences!

Product Specifications

- Weatherproof Boxes are available in 1, 2 and 3 gang.
- Wide range of sizes, depths, and gangs.
- **Single Gang Boxes** will accept standard 4 screw mounting covers and single gang weatherproof covers.
- **Two Gang Boxes** will accept standard two gang weatherproof covers.
- 1/2" and 3/4" hub sizes, from 3 to 7 hole configurations and 1" on selected product only.
- Baked-on electrostatic, polyester, powder paint for superior scratch and corrosion resistance.
- 2 closure plugs and mounting lugs furnished with all standard boxes.
- Designed for both interior and exterior applications.
- Simply strike desired knockout studs with a sharp hammer blow for clean mounting holes.
- Heavy die-cast aluminum construction.
- Available in gray (standard), white and bronze on selected products only.
- Product assembled after painting for complete corrosion resistance.
- UL Listed, for wet and/or damp locations with appropriate cover.
- UL/cUL Listed (File E143223) for wet and/or damp locations with appropriate cover.
- CSA Standard C22.2 No. 18
- RoHS Compliant
- Available in standard and deep configurations on selected products only.

Contact our sales office for additional information and availability.

Single Gang Standard Boxes & Kits



Single Gang Box



WPB23W



WPB24



WPB33



WPB36

Features

- Wide range of sizes, depths, and gangs.
- Baked-on electrostatic, polyester, powder paint for superior scratch and corrosion resistance.
- 2 closure plugs and mounting lugs furnished with all boxes.
- UL Listed for wet and/or damp locations with appropriate cover.
- Designed for both interior and exterior applications.
- Will accept standard 4 screw mounting covers and single gang weatherproof covers.
- Simply strike desired knockout studs with a sharp hammer blow for clean mounting holes.
- Heavy die-cast aluminum.

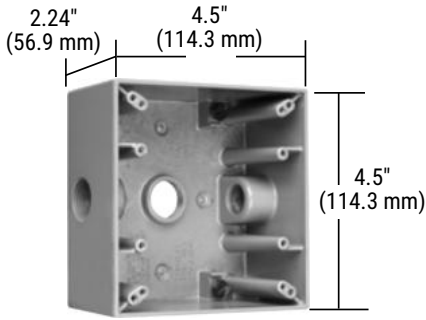
CATALOG NUMBER	DESCRIPTION	COLOR	3RD PARTY COMPLIANCE	
			UL	CSA
SINGLE GANG BOXES				
WPB23 WPB23W	3 Hole 1/2", 18.5 Cu. In. (1 Hole Each End, 1 Hole in Back)	Gray White	•	•
WPB33	3 Hole 3/4", 18.5 Cu. In. (1 Hole Each End, 1 Hole in Back)	Gray	•	•
WPB24	4 Hole 1/2", 18.0 Cu. In. (2 Holes One End, 1 Hole Other End, 1 Hole in Back)	Gray	•	•
WPB34	4 Hole 3/4", 18.0 Cu. In. (2 Holes One End, 1 Hole Other End, 1 Hole in Back)	Gray	•	•
WPB25	5 Hole 1/2", 17.0 Cu. In. (2 Holes Each End, 1 Hole in Back)	Gray	•	•
WPB35	5 Hole 3/4", 17.0 Cu. In. (2 Holes Each End, 1 Hole in Back)	Gray	•	•
WPB26 WPB26W	5 Hole 1/2", 17.0 Cu. In. (1 Hole Each End, 1 Hole Each Side, 1 Hole in Back)	Gray White	•	•
WPB36	5 Hole 3/4", 16.8 Cu. In. (1 Hole Each End, 1 Hole Each Side, 1 Hole in Back)	Gray	•	•



L1430FIKIT
shown without inlet

CATALOG NUMBER	DESCRIPTION
WEATHERPROOF LOCKING INLET KIT FOR GENERATOR APPLICATIONS	
L1430FIKIT	Kit includes 30A Locking Gray Flanged Inlet L1430FI, Weatherproof Cover WPG2, and Weatherproof Box WPB23 with 1/2" knockout holes.

Two Gang Standard Boxes



Two Gang Box



WPB287



WPB362



WPB382

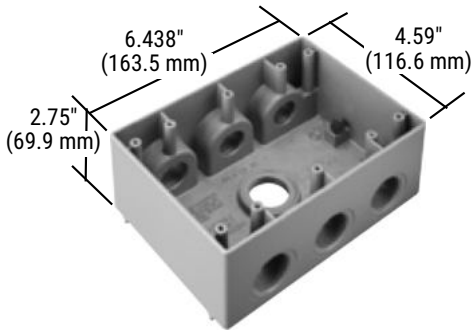
Features

- Wide range of sizes, depths, and gangs.
- Baked-on electrostatic, polyester, powder paint for superior scratch and corrosion resistance.
- 2 closure plugs and mounting lugs furnished with all boxes.
- UL Listed for wet and/or damp locations with appropriate cover.
- Designed for both interior and exterior applications.
- Will accept standard two gang weatherproof covers.
- Simply strike desired knockout studs with a sharp hammer blow for clean mounting holes.
- Heavy die-cast aluminum.

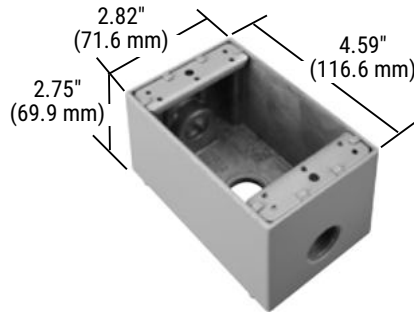
CATALOG NUMBER	DESCRIPTION	COLOR	3RD PARTY COMPLIANCE	
			UL	CSA
TWO GANG BOXES				
WPB232	2 Gang – 3 Hole 1/2", 30.5 Cu. In. (1 Hole Each End, 1 Hole in Back)	Gray	•	•
WPB332	2 Gang – 3 Hole 3/4", 30.5 Cu. In. (1 Hole Each End, 1 Hole in Back)	Gray	•	•
WPB242	2 Gang – 4 Hole 1/2", 30.5 Cu. In. (2 Holes One End, 1 Hole Other End, 1 Hole in Back)	Gray	•	•
WPB342	2 Gang – 4 Hole 3/4", 30.5 Cu. In. (2 Holes One End, 1 Hole Other End,	Gray	•	•
WPB252	2 Gang – 5 Hole 1/2", 30.5 Cu. In. (2 Holes Each End, 1 Hole in Back)	Gray	•	•
WPB352	2 Gang – 5 Hole 3/4", 30.5 Cu. In. (2 Holes Each End, 1 Hole in Back)	Gray	•	•
WPB262	2 Gang – 5 Hole 1/2", 30.5 Cu. In. (1 Hole Each End, 1 Hole Each Side, 1 Hole in Back)	Gray	•	•
WPB362	2 Gang – 5 Hole 3/4", 30.5 Cu. In. (1 Hole Each End, 1 Hole Each Side, 1 Hole in Back)	Gray	•	•
WPB272	2 Gang – 6 Hole 1/2", 30.5 Cu. In. (2 Holes One End, 1 Hole Other End, 1 Hole Each Side, 1 Hole in Back)	Gray	•	•
WPB276	2 Gang – 6 Hole 1/2", 30.5 Cu. In. (3 Holes One Side, 2 Holes Other Side, 1 Hole in Back)	Gray	•	•
WPB282	2 Gang – 7 Hole 1/2", 30.5 Cu. In. (2 Holes Each End, 1 Hole Each Side, 1 Hole in Back)	Gray	•	•
WPB382	2 Gang – 7 Hole 3/4", 30.5 Cu. In. (2 Holes Each End, 1 Hole Each Side, 1 Hole in Back)	Gray	•	•
WPB287	2 Gang – 7 Hole 1/2", 30.5 Cu. In. (3 Holes Each Side, 1 Hole in Back)	Gray	•	•
WPB387	2 Gang – 7 Hole 3/4", 30.5 Cu. In. (3 Holes in Each Side, 1 Hole in Back)	Gray	•	•

Non stock products are procurement goods, can only be ordered in standard packaging quantities and have a minimum order value. The actual product may differ from the illustration shown. The information provided here is subject to change without notice. The product shown is for the use in the specified country.

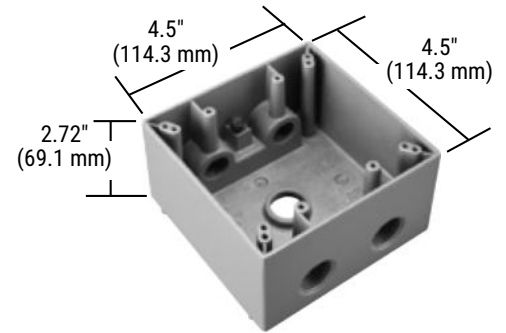
Three Gang and Deep Boxes



Three Gang Box




Single Gang Deep Box



Two Gang Deep Box

Features

- Wide range of sizes, depths, and gangs.
- Baked-on electrostatic, polyester, powder paint for superior scratch and corrosion resistance.
- 2 closure plugs and mounting lugs furnished with all boxes.
- UL Listed for wet and/or damp locations with appropriate cover.
- Designed for both interior and exterior applications.
- Simply strike desired knockout studs with a sharp hammer blow for clean mounting holes.
- Heavy die-cast aluminum.

CATALOG NUMBER	DESCRIPTION	COLOR	3RD PARTY COMPLIANCE	
			UL	SP
THREE GANG BOX				
WPB373 	3 Gang - 7 Hole 3/4", 59.8 Cu. In. (3 Holes Each Side, 1 Hole in Back)	Gray	•	•

Features

- Baked-on electrostatic, polyester, powder paint for superior scratch and corrosion resistance.
- 4 closure plugs and mounting lugs furnished with all boxes.
- UL Listed for wet and/or damp locations with appropriate cover.
- Designed for both interior and exterior applications.
- Will accept standard three-gang weatherproof covers.
- Simply strike desired knockout studs with a sharp hammer blow for clean mounting holes.
- Heavy die-cast aluminum.

CATALOG NUMBER	DESCRIPTION	COLOR	3RD PARTY COMPLIANCE	
			UL	SP
1 GANG DEEP BOXES				
WPBD23	1 Gang Deep - 3 Hole 1/2", 23 Cu. In. with Threaded Holes (1 Hole Each Side, 1 Hole in Back)	Gray	•	•
WPBD23W		White	•	•
WPBD33	1 Gang Deep - 3 Hole 3/4", 23 Cu. In. with Threaded Holes (1 Hole Each Side, 1 Hole in Back)	Gray	•	•
WPBD43	1 Gang Deep - 3 Hole 1", 23 Cu. In. with Threaded Holes (1 Hole Each Side, 1 Hole in Back)	Gray	•	•
2 GANG DEEP BOXES				
WPBD252	2 Gang Deep - 5 Hole 1/2", 37 Cu. In. with Threaded Holes (2 Holes Each End, 1 Hole in Back)	Gray	•	•
WPBD352	2 Gang Deep - 5 Hole 3/4", 37 Cu. In. with Threaded Holes (2 Holes Each End, 1 Hole in Back)	Gray	•	•
WPBD452	2 Gang Deep - 5 Hole 1", 37 Cu. In. with Threaded Holes (2 Holes Each End, 1 Hole in Back)	Gray	•	•

Covers & Gaskets



WPB1



WPB1W



WPB2G




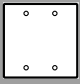
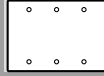
WPB2BR



WPB3

Features

- Designed for both interior and exterior applications.
- Universal aluminum mounting plates.
- Gray, bronze and white models have baked-on electrostatic, polyester, powder paint for superior scratch and corrosion resistance.

CATALOG NUMBER	DESCRIPTION	COLOR	3RD PARTY COMPLIANCE	
			UL	SP
BLANK COVERS				
WPB1 WPB1G WPB1W	 1 Gang Blank Aluminum Cover with Gasket and Screws	Brushed Aluminum Gray White	•	•
WPB2 WPB2G WPB2BR	 2 Gang Blank Aluminum Cover with Gasket and Screws	Brushed Aluminum Gray Bronze	•	•
WPB3	 3 Gang Blank Aluminum Cover with Gasket and Screws	Brushed Aluminum	•	•



GASKET2



GASKET38



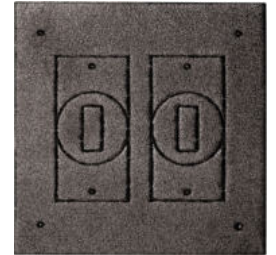
GASKET3726



GASKET3780



WPGAS100

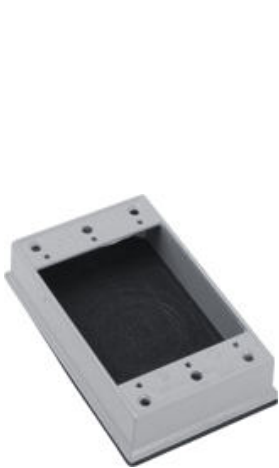


WPGAS101

CATALOG NUMBER	DESCRIPTION	COLOR	3RD PARTY COMPLIANCE	
			UL	SP
GASKETS				
GASKET2	1/8" Thick, 1 Gang, Multiuse Gasket, Closed Cell Polyethylene	Black	•	
GASKET38	3/8" Thick, Weatherproof, 1 Gang, Multiuse Gasket, Closed Cell Polyethylene	Black		
GASKET3726	3/32" Thick, Weatherproof, 1 Gang, Decorator Multiuse Gasket, Closed Cell Polyethylene	Gray	•	
GASKET3780	3/32" Thick, Weatherproof, 1 Gang, Duplex Multiuse Gasket, Closed Cell Polyethylene	Gray	•	
WPGAS100	1/8" Thick, Weatherproof, 1 Gang, Multiuse Gasket, Closed Cell Polyethylene	Black		
WPGAS101	1/8" Thick, Weatherproof, 2 Gang, Multiuse Gasket, Closed Cell Polyethylene	Black		

Non stock products are procurement goods, can only be ordered in standard packaging quantities and have a minimum order value. The actual product may differ from the illustration shown. The information provided here is subject to change without notice. The product shown is for the use in the specified country.

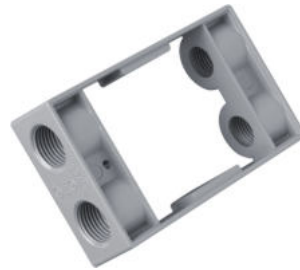
Extension Rings & Accessories



WPEX1



WPEX2



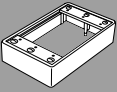
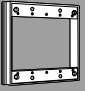






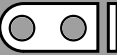
WPEX4



WPEX5



WPEX6

CATALOG NUMBER	DESCRIPTION	COLOR	3RD PARTY COMPLIANCE	
			UL	SP
ACCESSORIES				
WPEX1 	1 Gang Extension Ring, 9.5 Cu. In., 2.75" x 4.5" x 1"	Gray		•
WPEX2 	2 Gang Extension Ring, 16.3 Cu. In., 4.5" x 4.5" x 1"	Gray		•
WPEX4 	1 Gang Extension Ring with 4-1/2" Hubs, 2-1/2" Plugs Supplied, 9.5 Cu. In.	Gray		•
WPEX5 	1 Gang Flanged Extension Ring with 4-1/2" Hubs, 2-1/2" Plugs Supplied, 9.5 Cu. In.	Gray		•
WPEX6 	1 Gang Extension Ring, with 4-3/4" Hubs, 2-3/4" Plugs Supplied, 9.5 Cu. In.	Gray		•
WPBP50 WPBP50CC WPBP50WCC 	Closure Plug - 1/2"	Metallic, Qty. 100 Gray, Qty. 3 White, Qty. 3	• • •	• • •
WPBP75 WPBP75CC WPBP75WCC 	Closure Plug - 3/4"	Metallic, Qty. 100 Gray, Qty. 3 White, Qty. 3	• • •	• • •
WPBP100 	Closure Plug - 1"	Metallic, Qty. 100	•	•
WPBL100 	Aluminum Lugs (2), and Self-Tapping Screws	Gray		



WPBP50



WPBP50WCC



WPBP50CC



WPBP75



WPBL100

Choose the cover according to the location in which it is to be used.

Wet Locations NEC 406.9(B)(1)

Wet locations are defined as those subjected to saturation with water or other liquids, such as vehicle washing areas, unprotected locations exposed to weather, or in installations under ground or in concrete slabs or masonry in direct contact with the earth.

NEC Article 406.8(B)(1) requires that all 15 and 20 amp, 125 & 250 volt receptacles installed in wet locations must have an enclosure that is weatherproof, whether or not a plug is inserted. These receptacles must use a while-in-use cover, such as those shown below:

WIUCED10GL	WIUCED10SW	WIUCED20GL	WIUCAST1
WIUCED10CL	WIUCED10SB	WIUCED20CL	WIUCAST2
WIUCED10WL	WIUCED10DGL	WIUCED20WL	
WIUCED10SG	WIUCED10DCL	WIUC10FRED	
WIUCED10SC	WIUCED10DWL	WIUC20FRED	

Other Receptacles NEC 406.9(B)(2)

(a) A receptacle installed in a wet location, where the product intended to be plugged into it is not attended while in use, shall have an enclosure that is weatherproof with the t plug cap inserted or removed.

(b) A receptacle installed in a wet location where the product intended to be plugged into it will be attended while in use (e.g., portable tools) shall have an enclosure that is weatherproof when the attachment plug is removed.

CA1G	CA7GV	WPFLDKITW	3780SC	4600
CA1GL	CA72G	WPG1	3780SCFBXWH	7420
CA1GS	CA721G	WPG2	3780SCMHWH	7770
CA126GRY	CA723G	3703	3780SCWH	
CA18G	CA8GH	3710	3795	
CA2G	CA8GJ	3720	3796	
CA2W	CA8GVFS	3723	3797	
CA26GH	CA8WH	3723FS	4510	
CA26GV	CA8WV	3726SC	4511	
CA26WH	CA82G	3726SCCW	4512	
CA26WV	WP13	3726SCWH	4515	
CA262G	WP23	3770SC	4515FS	
CA268G	WPBJ22	3778	4516	

Damp Locations NEC 406.9(A)

Damp locations are defined as those protected from weather and not subject to saturation with water or other liquids, but subject to moderate degrees of moisture. Examples of such locations include partially protected locations under canopies, marquees, and roofed open porches not subjected to a beating rain or water runoff, as well as interior locations such as some basements, barns, and cold-storage warehouses.

NEC Article 406.9(A) requires that receptacles installed in damp locations must have an enclosure that is weatherproof when the receptacle is covered (attachment plug is not inserted and receptacle cover is closed).

An installation suitable for wet locations shall also be considered suitable for damp locations. Therefore, all catalog numbers shown above are also suitable for use in damp locations. The covers below are suitable for damp locations only, because the lid can be propped in the full open position.

3760 3780

Weather-Resistant Receptacles in Damp and Wet Locations NEC 406.9(A), 406.9(B)(1) and 406.9(B)(2)

An additional requirement has been added which states that a listed weather-resistant receptacle must be used where 15- and 20-amp, 125- and 250-volt straight blade receptacle configurations are installed in damp or wet locations.

The goal of the change is to ensure that receptacles of sufficiently robust design are employed under these conditions. Listed weather-resistant receptacles have improved resistance to sunlight exposure, corrosion and impact.

Switches in Damp or Wet Locations NEC 404.4

Surface-mounted switches and circuit breakers in damp or wet locations are required to be enclosed in a weatherproof enclosure and flush-mounted switches and circuit breakers in damp or wet locations to be provided with weatherproof covers. This recognizes exposure to adverse weather conditions requires comparable protection for switches like receptacles used in damp or wet locations.