



**British Standard IP 56  
13A Surface Socket  
BS 1363-2**

The new IP66 20AX surface switch retains it's full rating whilst in use.



The new IP56 socket outlet is available as switched or unswitched and retains IP56 rating whilst in use.



9664

9668

**20A SURFACE SWITCHES**

IP66	PACK QTY	
1 gang 2 way	1	<b>9664</b>
2 gang 2 way	1	<b>9668</b>
<b>Dimensions</b>	1 & 2 gang 103mm x 82mm x 68mm	

*Supplied as ready assembled units.*



9660

9660/S

**13A SURFACE SOCKET**

BS 1363-2 IP56	PACK QTY	
Single unswitched socket	1	<b>9660</b>
Single switched socket	1	<b>9660/S</b>
Twin unswitched socket (available 2004)	1	<b>9660/2</b>
<b>Dimensions</b>	1 gang 103mm x 82mm x 80mm	
	1 gang switched 162mm x 82mm x 80mm	
	2 gang 162mm x 120mm x 80mm	

*The socket outlets retain their IP56 rating when used with any standard 13A plug.  
Supplied as ready assembled units.*

## Installation Instructions

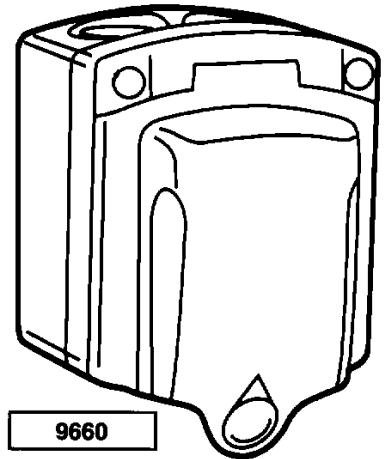
### Weatherseal

All products listed should be installed by a suitably qualified person in accordance with relevant building codes and standards. Disconnect supply before making any electrical connections. Remove the cable entry knockout or plug(s) from the enclosure as required. Fit rubber gasket inside lid. Secure the back box to the fixing surface ensuring cable of appropriate type and diameter is used. Follow wiring instructions for the specific unit as per its diagrams below.

\* Note important installation details in unit back box.

#### FOLLOWING CONNECTION

Fix lid using screws provided and tighten fully.

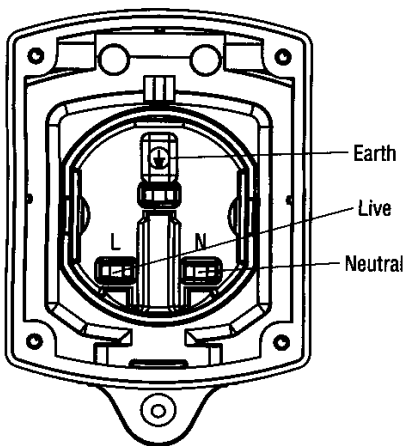


9660

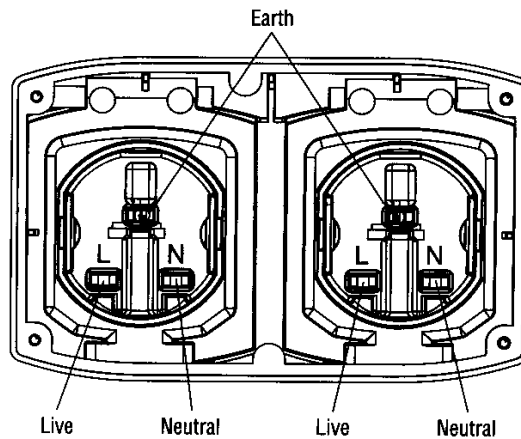
#### IP56 Surface Mount Sockets

9660

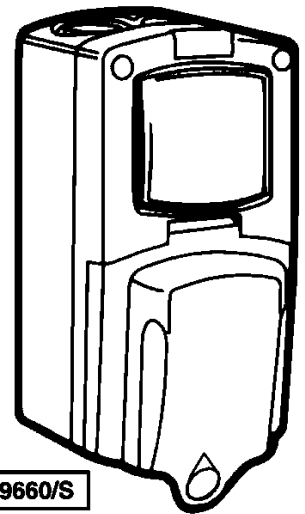
9660/2



Unswitched Socket



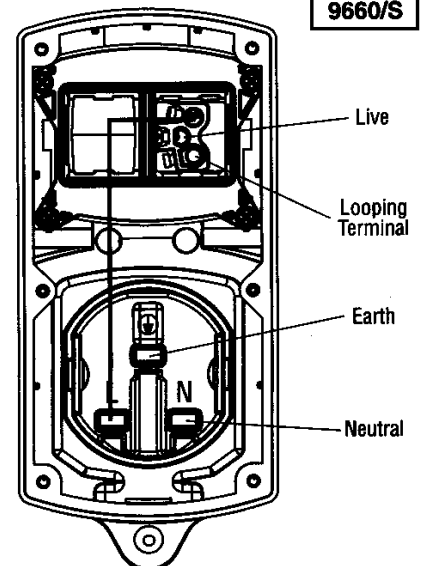
Two Gang Unswitched Socket



9660/S

#### IP56 Surface Mount Combined Switched Sockets

9660/S

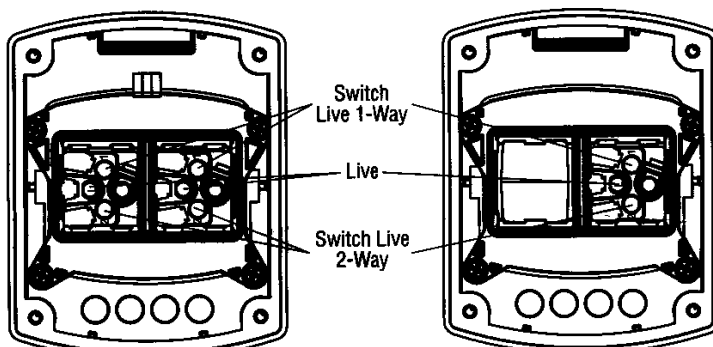


Single Pole Switched Socket

#### IP66 Surface Mount Switches

9668

9664



Single Pole 2 Gang 1/2 Way Switch

Single Pole 1 Gang 1/2 Way Switch