

UK / India / South Africa

Round Pin Plugs BS546 (old British Standard)

With rubber cover and ABS / Polycarbonate base.

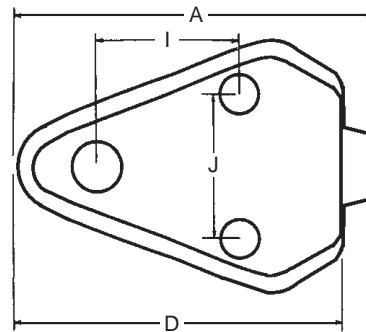
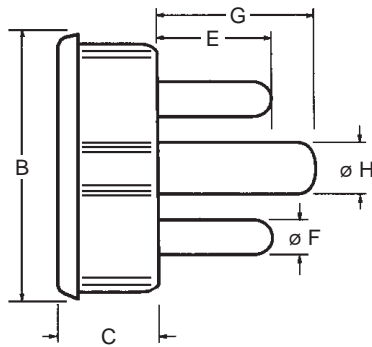
BS546 : 1950 (replaced in the UK by BS1363)

India has standardised on a plug which was originally defined in British Standard 546. It has three large round pins in a triangular pattern, and is now almost exclusively used in India, Sri Lanka, Nepal, Namibia, and Hong Kong. However, this 5 ampere plug, along with its smaller 2A cousin, is sometimes used in the UK for centrally switched domestic lighting circuits, in order to distinguish them from normal power circuits.

The 15A version of this plug type is much larger in dimensions, also its pins are much larger (nominal): Live and neutral are \varnothing 7 mm by a length of 21 mm, Ground pin is \varnothing 8.7 mm by a length of 29 mm. Although the preceding type is standard in India, Sri Lanka, Nepal, and Namibia, the 15A version is also



used in these countries for larger appliances. Some sockets can take both types of plugs. Some countries like South Africa use it as the main domestic plug and socket type. South Africa replaces this old British Standard by a 16A rated version on SABS 164 : 1980.



Catalog No.	Color	Rating	EDP-No.	Cable \varnothing	Cond. max.	A	B	C	D	E	\varnothing F	G	\varnothing H	I	J
P23BLK *	Black	2A	104529	7.5 max.	0.5 mm ²	41	33	16.5	36	13	3.5	15	5.0	12.5	14.8
P53BLK	Black	5A	104530	9.4 max.	0.75 mm ²	56	42	20.5	49	16	5.0	21	7.0	20.0	19.0
P153BLK	Black	15A	104531	11 max.	1.5 mm ²	67	53	23.5	58	19	7.0	29	8.7	25.4	25.4

* If existing stock is depleted this item will be discontinued.

To learn more about B-I-A please visit us at our
WEB site: www.BiaGmbH.com

