

## Brazil - Non-Detachable Power Plug NBR 14136, 10A, 2 P + E



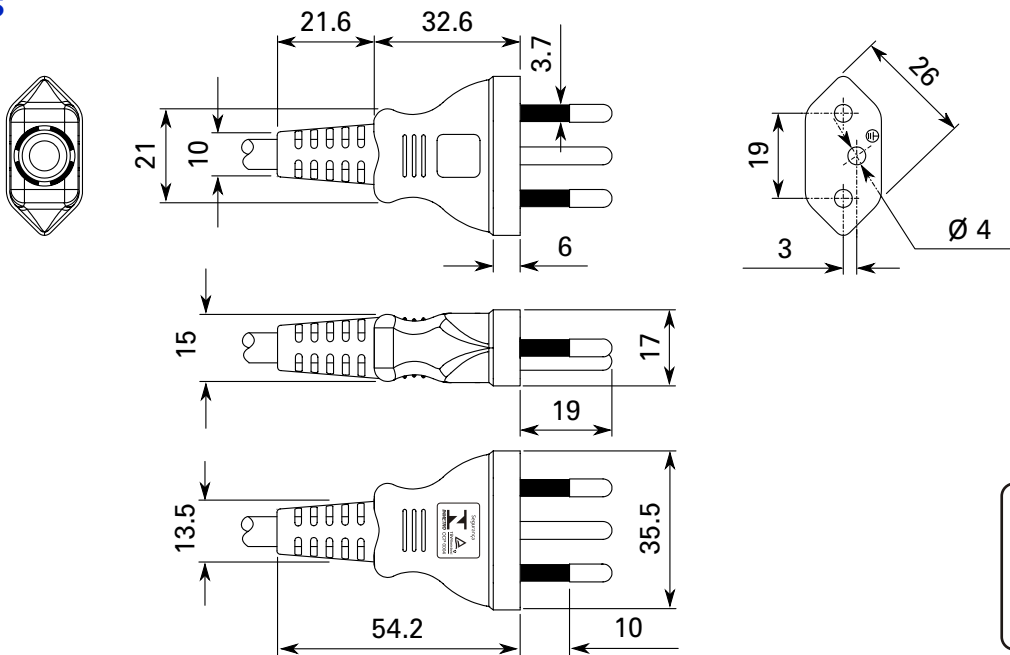
**Catalog No.** : YP-04 Plug

**Standards** : ABNT NBR NM 60884-1/2004,  
NBR 14136/2002

**Rated Current** : 10A/250V~

**Applications** : For Class I Equipment

### DIMENSIONS



### Excerpt from the product certification

**Product:** Non-Rewirable Plug Two-Poles with Earthing Contact for Class I Equipment 10A 250V~, Ref.: YP-04

**Standards:** ABNT NBR NM 60884-1/2004, NBR 14136/2002 and Publication number 85 in April 03, 2006 from INMETRO.

#### Description of the product:

##### 1) Classification of the plug:

- Non-rewirable, two-poles, with earthing contact, solid pins, provided with insulating sleeves, for class I equipment;
- Degree of protection: IP20;
- Type of terminals: crimped connections;
- Material of the cover: thermoplastic;
- Cable exit: 180°.

##### 2) Standard Sheet:

- Conformity Evaluation Regulation annexed in INMETRO Administrative Rule No. 085 of 04/03/2006 (Plug no. 10 of Annex C);
- NBR 14136/02 (figure 7).

##### 3) The plug is in conformance with the standard ABNT NBR NM 60884-1/2004, if provided with the following cables:

Nominal Current	Type of Flexible Cable (in compliance with the Standard IEC 60227)	Cross-Section Area (mm <sup>2</sup> )
10 Amp.	Round, 300V, (H03VV-F) 227 IEC 52	3 x 0,75
	Round, 500V, (H05VV-F) 227 IEC 53	
	Round, 500V, (H05VV-F) 227 IEC 53	3 x 1
	Round, 500V, (H05VV-F) 227 IEC 53	3 x 1,5

*Technical Data are Subject to Change without Notice. Dimensions in mm.*