

## United Kingdom - IP55 Range Weatherproof Wiring Devices

### IP55 Range Weatherproof Socket Outlets, Switches, and Fused Connection Units

BS 1363, BS EN 60669-1:2000, BS 1363-4, BS EN60529

#### Used in Country:

United Kingdom, Ireland, Hong Kong etc.

#### Specifications:

- **Socket Outlets:** 13 Amp, 250 Volt AC  
BS 1363, BS EN 60529  
2 Pole 3 Wire Grounding (2P+E)
- **Switches:** 20 Amp, 250 Volt AC  
BS EN 60669-1:2000, BS EN 60529
- **Fused Connection Units:** 13 Amp, 250 Volt AC  
BS 1363-4, BS EN 60529

#### Features and Benefits:

- The Weatherproof Range offers a variety of products designed to provide the protection needed when using power outdoors.
- The Switches, Sockets and Connection Units have been tested to IP55 (dust and splash protected).
- Junction boxes are available on request, tested to IP66 (dust tight and hose proof).
- The smooth aesthetics and tough build quality make the range ideal for domestic and commercial usage.
- Applications include permanent installation for controlling exterior lighting and power to outdoor equipment such as ponds and power tools, for example: Lawnmowers, Hedge trimmers, Jet washes and other portable electrically operated devices.
- Several features have been incorporated into the range at the design stage to enhance the product capacity to protect the user.
- The snap shunt lid and translucent membrane allow light switches to be operated with the cover closed, thus maintaining their IP55 rating.
- The housing is manufactured from tough, durable polycarbonate which is temperature and impact resistant, giving the product interior high levels of protection from harsh or changeable environments.

#### Knockouts (1 Gang)

1 x 20mm Each side  
1 x 20mm Top & Bottom  
1 x 20mm Back

#### Knockouts (2 Gang)

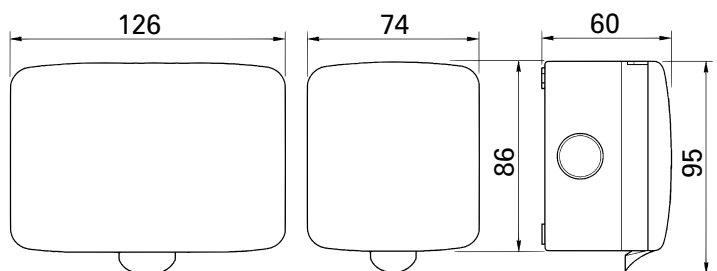
1 x 20mm Each side  
3 x 20mm Top & Bottom  
1 x 20mm Back



#### Ordering Guide:

Catalog No.	Description	Carton Qty.
<b>13A Socket Outlets IP55</b> 2 Pole 3 Wire Grounding (2P+E)		
VX5100	1 Gang Unswitched Socket	120/1
VX5200	2 Gang Unswitched Socket	60/1
VX5300	1 Gang Switched Socket	60/1
<b>20A Switches IP55</b>		
VX5020	1 Gang 2 Way Switch	120/1
VX5040	2 Gang 2 Way Switch	120/1
<b>13A Fused Connection Units IP55</b>		
VX5080	Switched Connection Unit	120/1
VX5090	Unswitched Connection Unit	120/1

#### Dimensional Data:



Technical data and dimensions are subject to change without notice. Dimensions in mm.

## INSTALLATION INSTRUCTIONS FOR WEATHERPROOF ACCESSORIES VX5100, VX5020, VX5200, VX5040 and VX5300

THIS PRODUCT MUST BE INSTALLED IN ACCORDANCE WITH THE LATEST EDITION OF THE IEE WIRING REGULATIONS AND BUILDING REGULATIONS.

**READ THESE INSTRUCTIONS CAREFULLY BEFORE COMMENCING INSTALLATION.  
IF IN ANY DOUBT, CONSULT A QUALIFIED ELECTRICIAN.**

1. Isolate the mains supply.
2. Carefully remove any cable entry knockouts as required, by applying a light impact in the groove on the periphery of the knockout ensuring that the box is supported around the knockouts being removed. Failure to do this may cause damage to the box. Clean off any excess material from around the removed knockout to ensure a smooth edge remains to maintain the weatherproof rating.
3. Fit cable entry grommets to the knock out holes as required.
4. Remove the screw mounting hole caps and Securely fit the back box to a fixed location (e.g. wall) which should be a level surface. Re-fit the screw mounting hole caps, failure to fit these caps will compromise the Weatherproof rating.
5. Pass cable through the entry holes / grommets and connect as per the relevant diagram below.
6. Should an Earth loop connection be required, use a terminal block (not provided) and ensure it is located in such a way as to not interfere with the correct fitment of the lid assembly. Failure to do this correctly could compromise the weatherproof rating.
7. Ensure the gasket is fitted to the inside of the lid and fix the lid to the back box using the screws provided. The screws must be fully tightened to prevent the ingress of moisture.
8. When installation is correctly completed, re-connect mains supply.

### NOTES

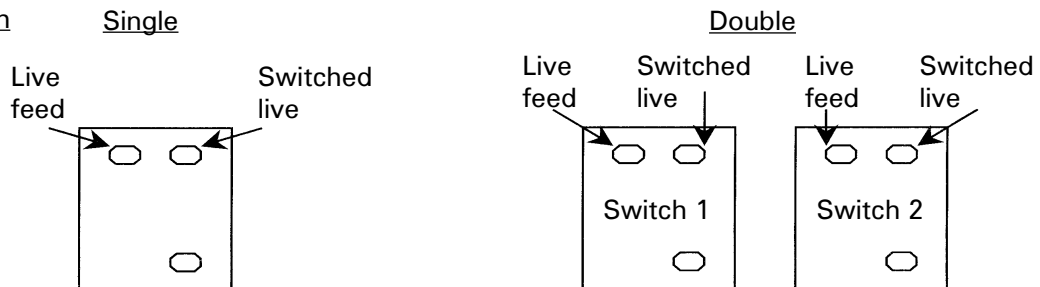
This range of accessories is designed to be used with an electrical supply of 230/240 volts 50 hz only.

Use green/yellow sleeving on earth conductors not insulated.

Weatherproof rating may be compromised if drain hole is opened.

Do not overload this accessory or subject it to conditions outside its weatherproof rating.

### One Way Light Switch

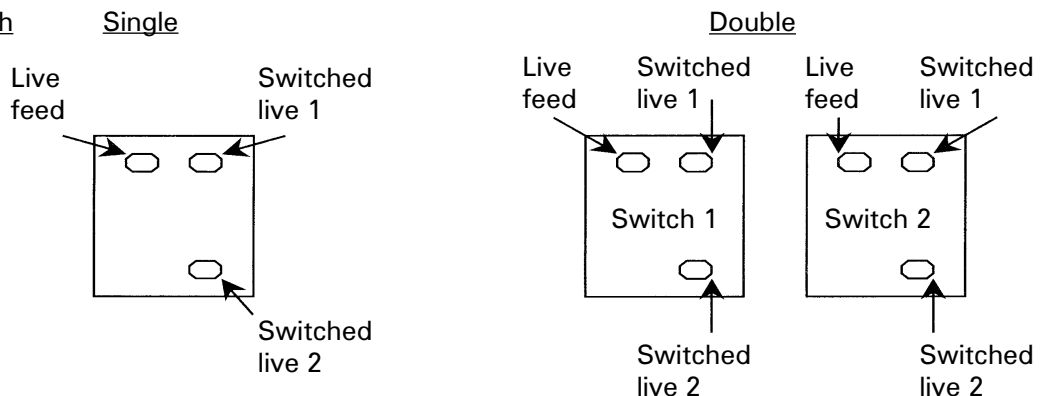


Live feed = Brown (or Red)

Switched live = Blue (or Black)

Note: „Switched live“ should be identified using additional Brown (or Red) sleeving.

### Two Way Light Switch



DL22199

## INSTALLATION INSTRUCTIONS FOR WEATHERPROOF ACCESSORIES VX5100, VX5020, VX5200, VX5040 and VX5300

Live feed = Brown (or Red)  
Switched Live 1 = Black (or Yellow)  
Switched Live 2 = Grey (or Blue)

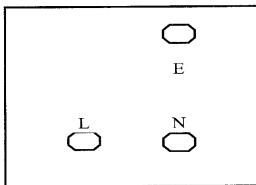
**Note:** „Switched live“ should be identified using additional Brown (or Red) sleeving.

### Socket

If the dual socket is to be used as a double socket, it will be necessary to fit 3 links (not provided, just use 2.5mm<sup>2</sup> wire) as follows:

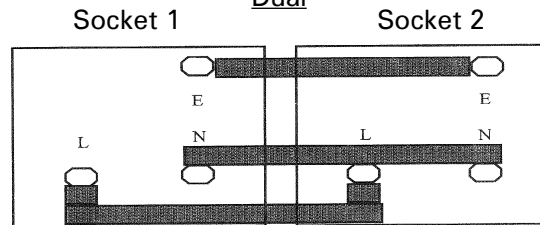
Link 1 : Connect Socket 1 E to Socket 2 E using Green/Yellow sleeved wire.  
Link 2 : Connect Socket 1 N to Socket 2 N using Blue (or Black) sleeved wire.  
Link 3 : Connect Socket 1 L to Socket 2 L using Brown (or Red) sleeved wire.

#### Single



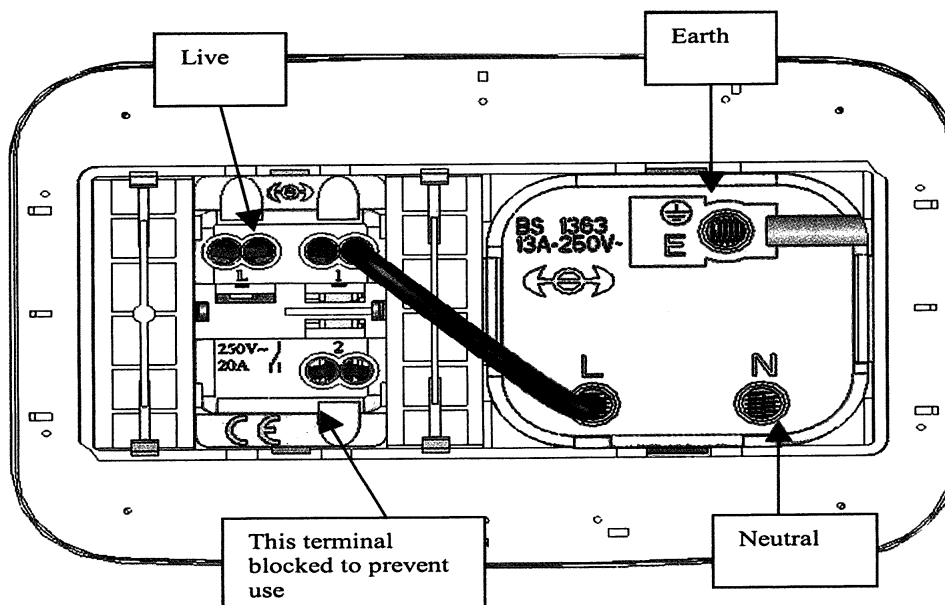
Live (L) = Brown (or Red)  
Neutral (N) = Blue (or Black)  
Earth (E) = Green/Yellow

#### Dual



**Note:** Links shown in these instructions are not provided and are not available. Just use 2.5mm<sup>2</sup> cable to link up the terminals.

### Switched Socket



Live (L) = Brown (or Red)  
Neutral (N) = Blue (or Black)  
Earth (E) = Green/Yellow

DL22199