

Simple to Order

Using the table below, select the part number for the particular cable diameter and formation required. For example: an outside cable diameter of 33mm in trefoil formation is Part No VRT-03 which covers a cable diameter range from 30 to 35mm. The VRT-03 cleat can also be used for single cables between 49 and 64mm in diameter.

Extensive Diameter Range

The standard trefoil cable-cleat range accommodates diameters from 23-85mm. The standard single cable-cleat accommodates diameters from 33-153mm. For applications outside the ranges shown, please contact the Sales Department for further assistance.

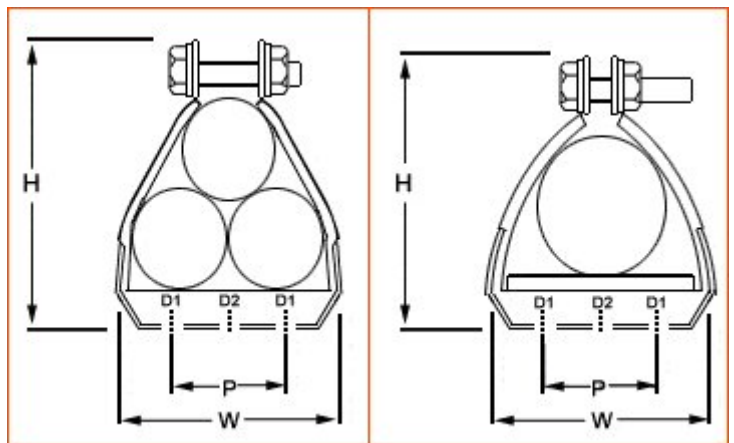
Part No	Trefoil Cable		Single Cable		Dimensions				
	Min Dia. mm	Max Dia. mm	Min Dia. mm	Max Dia. mm	W (Max) mm	H (Max) mm	P mm	D1 mm	D2 mm
VRT-01	23	28	33	50	67	93	25	10	10
VRT-02	27	32	43	58	73	101	25	10	10
VRT-03	30	35	49	64	78	107	25	10	10
VRT-04	33	38	55	70	84	113	25	10	10
VRT-05	36	42	58	75	95	118	50	10	10
VRT-06	40	46	63	84	100	125	50	10	10
VRT-07	44	50	73	90	108	135	50	10	10
VRT-08	48	55	83	100	118	144	50	10	10
VRT-09	51	58	88	104	122	149	50	10	10
VRT-10	55	62	86	110	136	154	75	10	10
VRT-11	59	66	90	115	140	163	75	10	10
VRT-12	63	70	100	125	148	171	75	10	10
VRT-13	67	74	107	132	156	178	75	10	10
VRT-14	71	78	120	145	164	187	75	10	10
VRT-15	74	82	125	150	172	193	75	10	10
VRT-16	77	85	132	153	178	199	75	10	10

Quadrafoil Application

Please contact the Sales Department for further assistance.

Installation Instructions

- Remove the nyloc nut and washer from the M10 set screw
- Prise out the base pad and bolt the cleat to the supporting structure using single or two bolt fixing as required, replace the pad
- Fit the cables into the cleat and flex the arms of the cleat around the cable by pulling the flanges. Refit screw, nut and washer and tighten the nyloc nut



Maximum Fault level kA RMS tested for 0.1 seconds	Recommended spacing of cleats (metres)	
	on straights	on bends
43kA	0.9	0.3

Dimension Codes

W	Width	D1	Hole Diameter (two bolt fixing)
H	Height	D2	Hole Diameter (single bolt fixing)
P	Hole Pitch	D1	All Vulcan are 54mm deep