

SRCN Series Connectors

General Purpose Miniature Circular Connectors

FEATURES

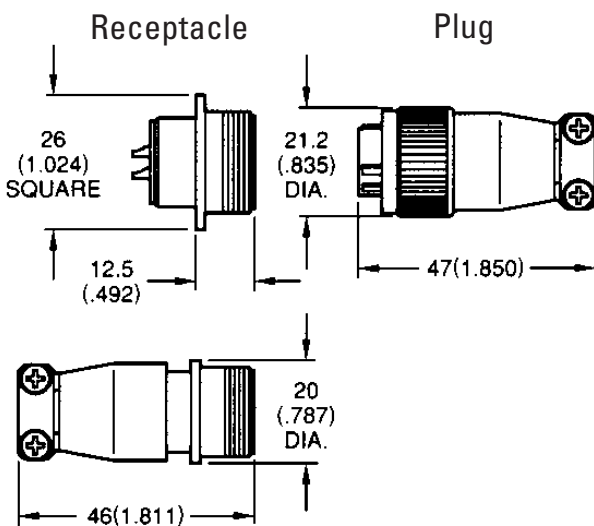
- Miniature, lightweight, solid construction
- General purpose
- Low cost connector
- Product approved by UL standard
- Highly reliable contact finish
- Stable connections
- Positive polarization with five keys and keyways

SRCN Series connectors are low cost, light weight, general purpose, circular connectors with soldering termination, recognized under the Component Program of Underwriter Laboratories. Three styles are available for making connection between cables, and between cable and panel: Straight Plug, Cable Connecting Plug and Box Mounting Receptacle. Both pin and socket inserts are available in each style.



Applications include broadcast and communication systems, medical equipment, telecommunications, measurement equipment, business machines, computers and peripherals, automation equipment, tooling, controlling devices, vending machines, electronic entertainment equipment and other electronic equipment.

Connector Profile (Ref.)



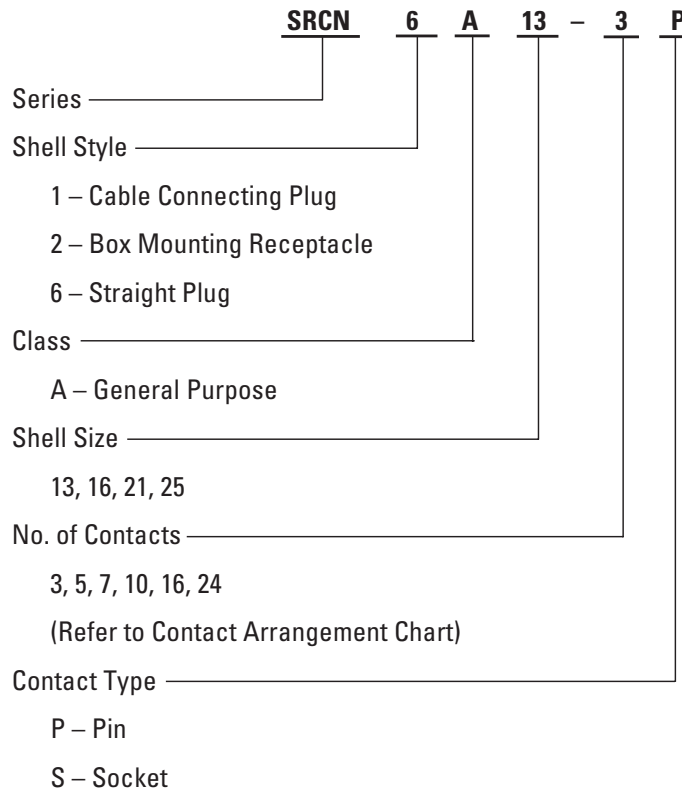
GENERAL SPECIFICATIONS

Number of Contacts	#16: 3, 7, 10, 16 #20: 5, 10, 16, 24
Current Rating	5 Amps max. for #20 contact 10 Amps max. for #16 contact
Operating Voltage	250 VAC r.m.s., max. 350 VDC max.
Operating Temperature	-25°C to +85°C
Dielectric Withstanding Voltage	1000 VAC r.m.s. (for one minute)
Insulation Resistance	1000 megohms min. (with 500 VDC)
Contact Resistance	5 milliohms max.
Durability	500 cycles

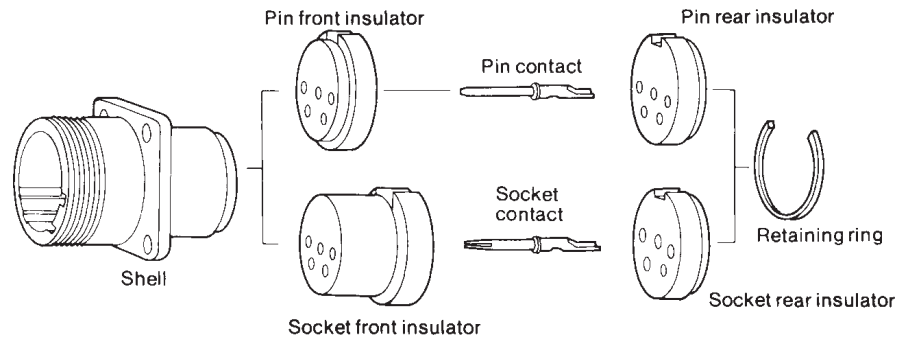
MATERIALS AND FINISHES

Description	Materials/Finishes
Shell, Barrel, Endbell, Coupling Nut, Clamp	Aluminum alloy, Nickel plated (satin)
Insulator	Synthetic resin, UL94V-0 (Green)
Contact	Copper alloy, Silver plated
Retaining Ring	Copper alloy, Nickel plated
Set Screw, Clamp Screw	Steel, Nickel plated

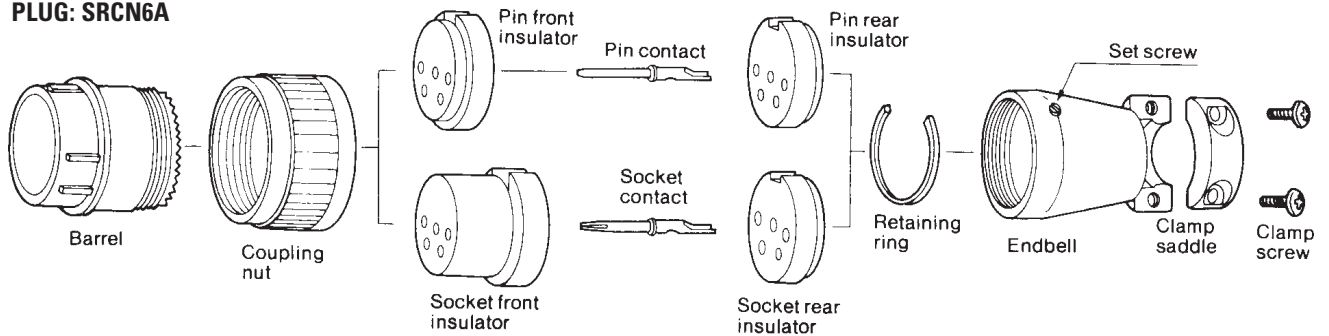
ORDERING INFORMATION



RECEPTACLE: SRCN2A



PLUG: SRCN6A



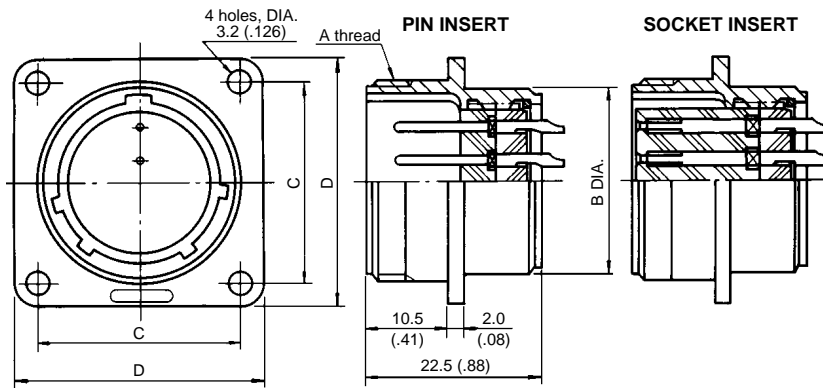
Dimensions in mm (inches).

CONTACT ARRANGEMENTS (Face view of pin insert)

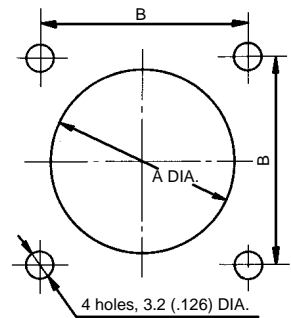
Shell Size	13	16	21	25
Current Rating 10 Amp				
Contact Size No. of Contacts	#16 Contact 3	#16 Contact 7	#16 Contact 10	#16 Contact 16
Current Rating 5 Amp				
Contact Size No. of Contacts	#20 Contact 5	#20 Contact 10	#20 Contact 16	#20 Contact 24

SRCN 2A • RECEPTACLE (SRCN 2A is receptacle mounted on box or panel.)

• Mating Connector: SRCN 6A



Mounting Hole Dimension



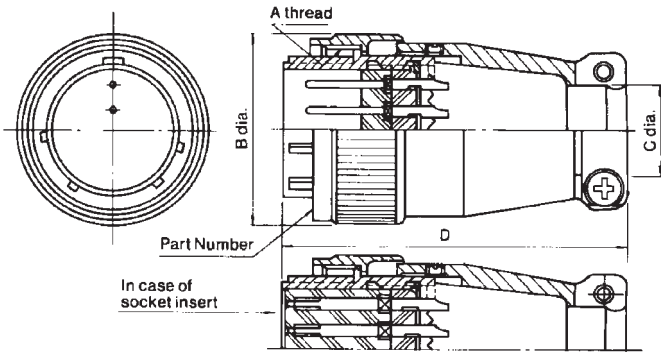
No. of Contacts	Part Number P: Pin Connector S: Socket Connector	A Metric Thread	B dia. ± 0.3 (± .012)	± 0.2 (± .008)	D ± 0.5 (± .02)
3	SRCN2A13- 3P SRCN2A13- 3S	M18-P1	16 (.630)	20 (.787)	26 (1.024)
5	SRCN2A13- 5P SRCN2A13- 5S	M18-P1	16 (.630)	20 (.787)	26 (1.024)
7	SRCN2A16- 7P SRCN2A16- 7S	M22-P1	20 (.787)	23 (.906)	29 (1.142)
10	SRCN2A16- 10P SRCN2A16- 10S	M22-P1	20 (.787)	23 (.906)	29 (1.142)
10	SRCN2A21- 10P SRCN2A21- 10S	M26-P1	24 (.945)	26 (1.024)	32 (1.260)
16	SRCN2A21- 16P SRCN2A21- 16S	M26-P1	24 (.945)	26 (1.024)	32 (1.260)
16	SRCN2A25- 16P SRCN2A25- 16S	M30-P1	28 (1.102)	29 (1.142)	35 (1.378)
24	SRCN2A25- 24P SRCN2A25- 24S	M30-P1	28 (1.102)	29 (1.142)	35 (1.378)

Shell Size	A dia. ± 0.5 (± .02)	B ± 0.2 (± .008)
13	20 (.787)	20 (.787)
16	24 (.945)	23 (.906)
21	28 (1.102)	26 (1.024)
25	32 (1.260)	29 (1.142)

Note: In rear panel mounting, the panel shall be 4mm (.157") thick max.

Dimensions in mm (inches).

SRCN 6A • STRAIGHT PLUG



SRCN 6A is plug used at the end of cable. Cable lead-out port is straight with cable clamp. Before terminating, slide endbell over wire bundle.

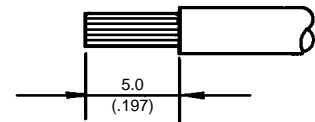
- **Mating Connector:**
SRCN 2A
SRCN 1A

No. of Contacts	Part Number P: Pin Connector S: Socket Connector	A Metric Thread	B dia. ± 0.8 (± .031)	C dia. ± 0.5 (± .02)	D ± 2 (± .08)
3	SRCN6A13- 3P SRCN6A13- 3S	M18-P1	21.2 (.835)	8.5 (.335)	47 (1.850)
5	SRCN6A13- 5P SRCN6A13- 5S	M18-P1	21.2 (.835)	8.5 (.335)	47 (1.850)
7	SRCN6A16- 7P SRCN6A16- 7S	M22-P1	25.2 (.992)	11.5 (.453)	50 (1.969)
10	SRCN6A16- 10P SRCN6A16- 10S	M22-P1	25.2 (.992)	11.5 (.453)	50 (1.969)
10	SRCN6A21- 10P SRCN6A21- 10S	M26-P1	29.2 (1.150)	14 (.551)	54 (2.126)
16	SRCN6A21- 16P SRCN6A21- 16S	M26-P1	29.2 (1.150)	14 (.551)	54 (2.126)
16	SRCN6A25- 16P SRCN6A25- 16S	M30-P1	33.2 (1.307)	17 (.669)	57 (2.244)
24	SRCN6A25- 24P SRCN6A25- 24S	M30-P1	33.2 (1.307)	17 (.669)	57 (2.244)

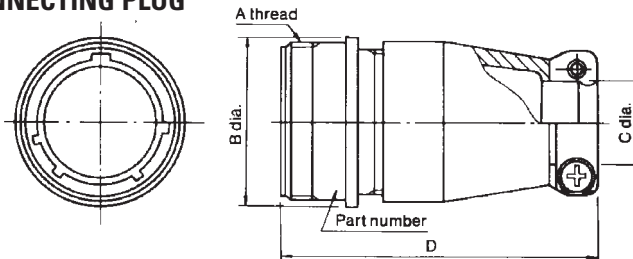
Applicable Wire Size

Contact Size	AWG No.	Conductor Sect. Area
20	#20 max.	0.5mm ² max.
16	#16 max.	1.25mm ² max.

Insulation Stripping Length



SRCN 1A • CABLE CONNECTING PLUG



SRCN 1A is mated with straight plug for cable extension.

- **Mating Connector:**
SRCN 6A

No. of Contacts	Part Number P: Pin Connector S: Socket Connector	A Metric Thread	B dia. ± 2 (± .08)	C dia. ± 0.5 (± .02)	D ± 2 (± .08)
3	SRCN1A13- 3P SRCN1A13- 3S	M18-1P	20 (.787)	8.5 (.335)	46 (1.811)
5	SRCN1A13- 5P SRCN1A13- 5S	M18-1P	20 (.787)	8.5 (.335)	46 (1.811)
7	SRCN1A16- 7P SRCN1A16- 7S	M22-1P	24 (.945)	11.5 (.453)	49 (1.929)
10	SRCN1A16- 10P SRCN1A16- 10S	M22-1P	24 (.945)	11.5 (.453)	49 (1.929)
10	SRCN1A21- 10P SRCN1A21- 10S	M26-1P	28 (1.102)	14 (.551)	53 (2.087)
16	SRCN1A21- 16P SRCN1A21- 16S	M26-1P	28 (1.102)	14 (.551)	53 (2.087)
16	SRCN1A25- 16P SRCN1A25- 16S	M30-1P	32 (1.260)	17 (.669)	56 (2.205)
24	SRCN1A25- 24P SRCN1A25- 24S	M30-1P	32 (1.260)	17 (.669)	56 (2.205)

Dimensions in mm (inches).