

## Australia, New Zealand

### Large Finger-Grip Plugs, Rigid, Rewirable, Impact-Resistant Moulding, 250 Volt AC

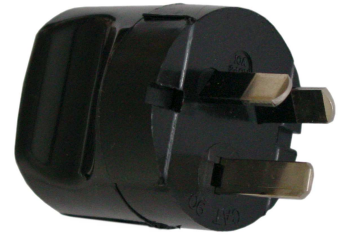
90-Series Plugs (Rewireable), AS/NZS 3112

#### SPECIFICATIONS

- Plug Tops, Thermoplastic Housing
- Voltage Rating: 250 Volt AC
- Large Finger-Grip, Rigid, Rewirable
- Standards: AS/NZS 3112:1993 (Export Versions) and AS/NZS 3112:2000 (10A & 15A Partial Insulated A + N)
- Standard Colors: WE (White), BL (Black), GY (Grey)  
Further Codes: WH (White), BK (Black), GR (Grey), LG (Light Grey)
- Minimum order quantities may apply, please check prior to ordering.



90WE  
10 Amp, 3 Pins Flat



90BL  
10 Amp, 3 Pins Flat



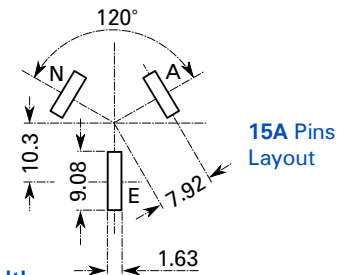
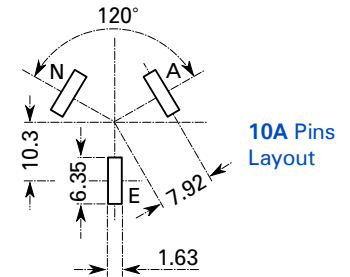
90/15WE  
15 Amp, 3 Pins Flat



90/20GR  
20 Amp, 3 Pins Flat

#### ORDERING INFORMATION

Cat. No.	Amp.	Colors	Configuration	Pins Layout
90	10A	WE, BL	3 Pins Flat, Partial Insulated Active and Neutral	10A Pins Layout
90/10	10A	WH, BK, GY	3 Pins Flat, AS/NZS 3112:1993	
90R	10A	WE	3 Pins, Round Earth, Flat Active and Neutral	15A Pins Layout
90/15	15A	WE, BL, GY	3 Pins Flat, Partial Insulated Active and Neutral	
90/15	15A	WH, BK, GR, LG	3 Pins Flat, AS/NZS 3112:1993	
90/20	20A	WE, GY, GR	3 Pins Flat, AS/NZS 3112:1993	
90/25	25A	WE	2 Pins Flat with L Earth Pin, AS/NZS 3112:1993	
94	10A	WE	4 Pins Plug for use with Cat. No 33 and 34 series	

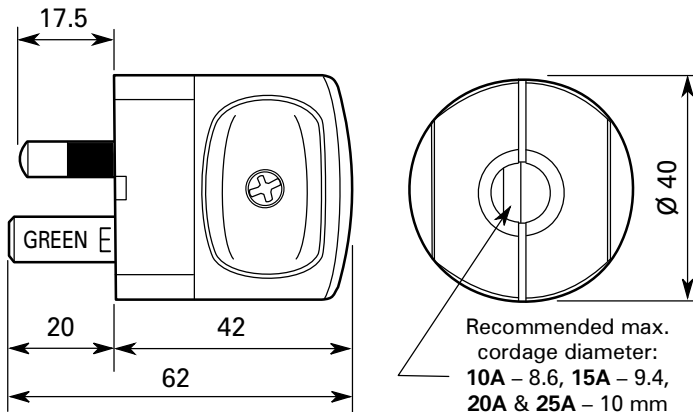


#### DIMENSIONS

Dimensions refer to all 3 pin plugs listed.

90/15 shown

Further colors and versions may be available on special order, please contact our sales office.



Recommended max. cordage diameter:  
10A – 8.6, 15A – 9.4,  
20A & 25A – 10 mm

#### Pins width

- 10A – 3 x 6.35 (3pin), 4 x 6.35 (4pin)
- 15A – 2 x 6.35 (A, N), 1 x 9.08 (Earth)
- 20A – 3 x 9.08
- 25A – 2 x 9.08, 1 x 9.23 x 2.8 ('L' Shape)

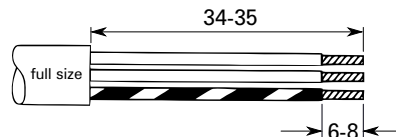
All flat pins 1.63 thick, Round pins Ø 4.75

Technical data and informations are nominal only and subject to change without notice. Dimensions in mm.

#### WIRING INSTRUCTIONS

1. Strip as shown - "Lay" as shown
2. Connect to terminals
  - Earth - Green/Yellow (or Green) to 'E' Green
  - Active - Brown (or Red) to 'A'
  - Neutral - Blue (or Black) to 'N'
3. Place cord under cord grip with plug partially closed and tighten, (Grip is reversible to suit cord size).
4. Position wires to clear screw, fold together and screw tightly until fully closed.

#### QUICK-CONNECT 3 PIN PLUG



Plug No.	Ampere Ratings and Conductors
90	10A max, *2 core and 3 core
90/15	7.5A to 15A, *2 core and 3 core
90/20	20A, use 3 core flexible cable only
90/25	25A, use 3 core flexible cable only

Suitable for maximum ampere rating as shown in table above, ordinary and heavy duty \*2 core and 3 core flexible cable only.

\*WARNING: Connect 2 core flexible cable only to 'A' (Active) and 'N' (Neutral) terminals.

