

## Brazil - Flush Mounting Receptacles, NBR 14136, 10A & 20A

### Flush Mounting Receptacles, 2 Pole 3 Wire Grounding, 10A and 20A

*Unterputzsteckdosen, 2P+E, 10A und 20A*

### SPECIFICATIONS

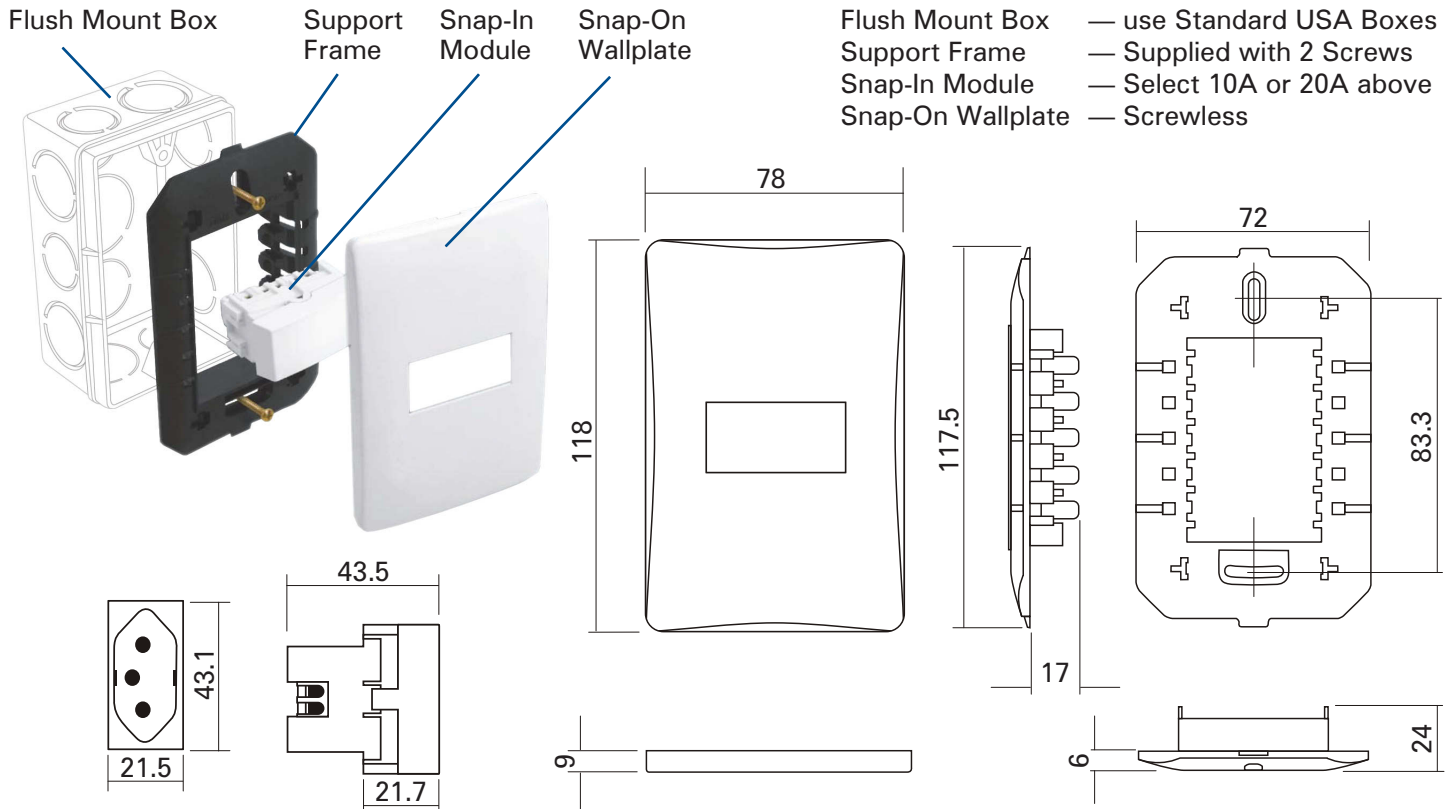
- Ratings: 10 and 20 Amp, 250 Volts AC
- 2 Pole 3 Wire Grounding
- Receptacles according to INMETRO NBR 14136/2002
- Screw-Type Terminals
- Material: Thermoplastic
- Standard Color: White only



2061-WH with  
2077-WH and  
2089 Frame

Catalog No.	Rating	Description	Weight/each	VPE/Pack	EDP No.
2061-WH	10A	Snap-In Receptacle, White, 2P + E, 250V AC	24 g net.	2000/20	125859
2062-WH	20A	Snap-In Receptacle, White, 2P + E, 250V AC	21 g net.	2000/20	125837
2077-WH	—	Wallplate, 1 Module, Horizontal, Snap-On, White	17 g net.	2000/20	125838
2089	—	Support Frame for 1 to 3 Snap-In Modules	21 g net.	2000/20	125839

**NOTE:** Further Modules (Switches, Sensors, Communication, Antenna, Push Buttons etc.), Wallplates, and Support Frames available, contact our Sales Office.



Technical Data are Subject to Change without Notice. Dimensions in mm.