

Brazil - Surface Mounting Receptacles, NBR 14136, 10A & 20A

Surface Mounting Receptacles, 2 Pole 3 Wire Grounding, 10A and 20A

Aufputzsteckdosen, 2P+E, 10A und 20A

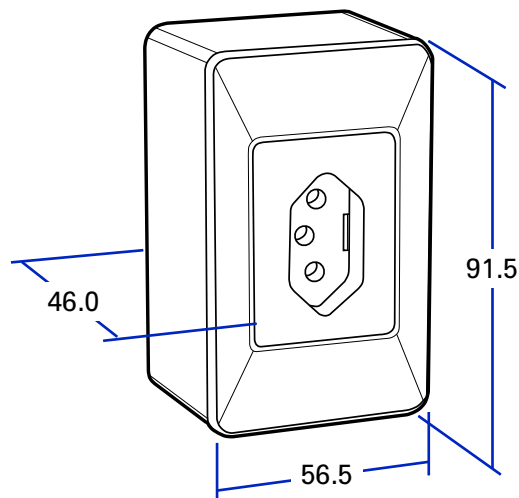
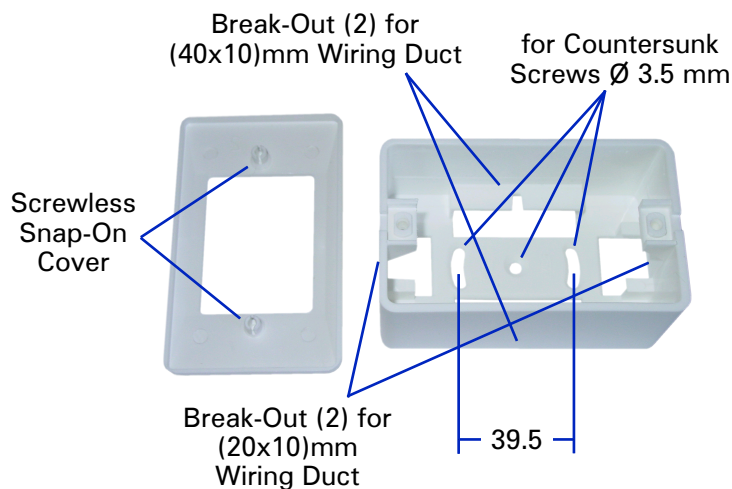
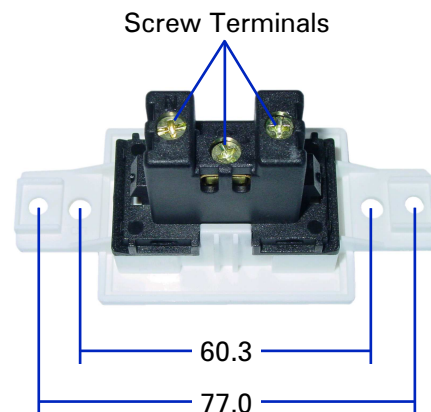
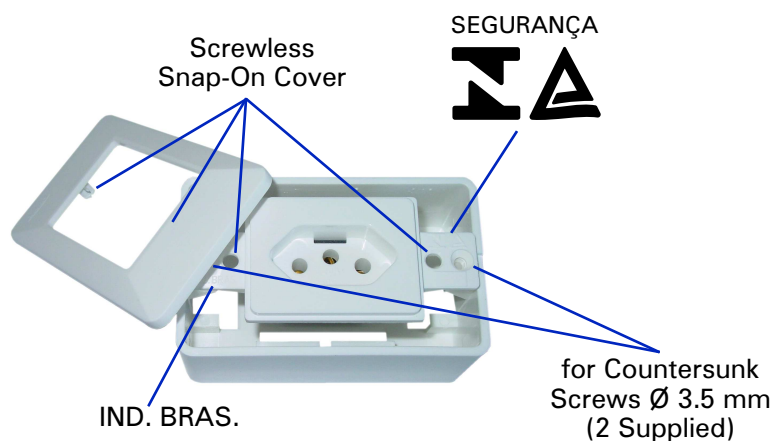
SPECIFICATIONS

- Ratings: 10 and 20 Amp, 250 Volts AC
- 2 Pole 3 Wire Grounding
- According to INMETRO NBR 14136/2002
- Screw-Type Terminals
- Material of Housing: Thermoplastic
- Standard Color: White



1414-WH

Catalog No.	Rating	Description	Weight/each	VPE/Pack	EDP No.
1413-WH	10A	Surface Mounting Receptacle, White, 2P+E, 250V AC	74 g net.	500/10	126026
1414-WH	20A	Surface Mounting Receptacle, White, 2P+E, 250V AC	72 g net.	500/10	125836



Technical Data are Subject to Change without Notice. Dimensions in mm.