

Brazil, NBR 14136

Surface Mounting Receptacle,
2 Pole 3 Wire Grounding,
10A and 20A Versions

SPECIFICATIONS

- Rated Current: 10 Amp and 20 Amp
- Rated Voltage: 250 Volt AC
- Applicable standard: NBR 14136, ABNT NBR NM 60884-1
- Screw-Type Terminals
- Thermoplastic Housing
- Mounting Screws included
- Dimensions (L 71.5 x W 41.5 x H 44.0)mm
- Standard Color: White



2549-WH shown with Mounting Screws

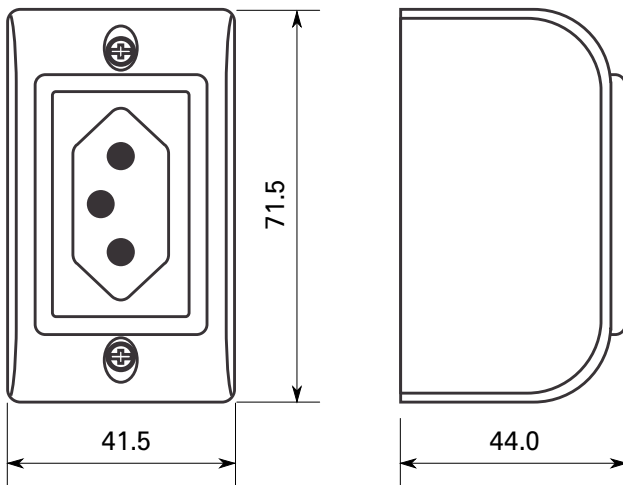
Rear View

ORDERING INFORMATION

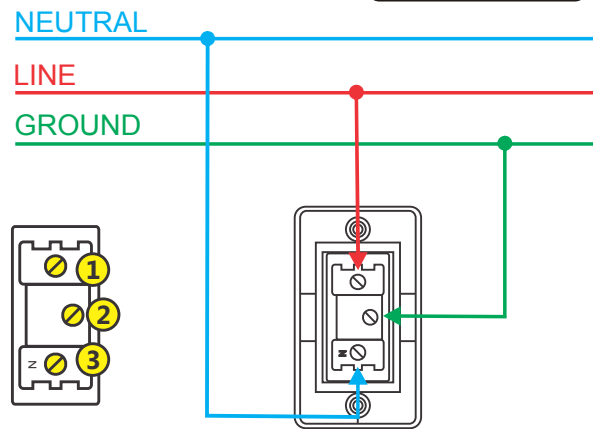
Catalog Number	Rated Current	Pin Diameter	Product Description	Standard Pack	Dimensions Std. Pack (cm)	Std. Pack Weight (kg)	Net Weight each (kg)	EDP Number
2549-WH	10A	4.0 mm	Single Surface Mounting Socket Outlet, 2P + E, Brazil NBR 14136, white	50	40 x 26 x 16	2.7	0.047	126700
2550-WH	20A	4.8 mm		20	27 x 23 x 11	1.2	0.046	126701

Important: Before starting the installation switch off the electrical circuit. Consideration should be installed by a qualified person. WARNING: The load can not exceed the specifications recorded in the products.

NOMINAL DIMENSIONS (mm)



WIRING DIAGRAM



Plug Type P

The standard 60906-1 was originally developed in 1986 by the IEC (International Electrotechnical Commission) to establish a uniform plug system for 230V wiring circuits. So far, however, this system was implemented only in South Africa (SANS 164-2), but currently only for special applications.

Brazil has introduced a plug system (NBR 14136) based on the standard IEC 60906-1, but this system differs from the original IEC specification.

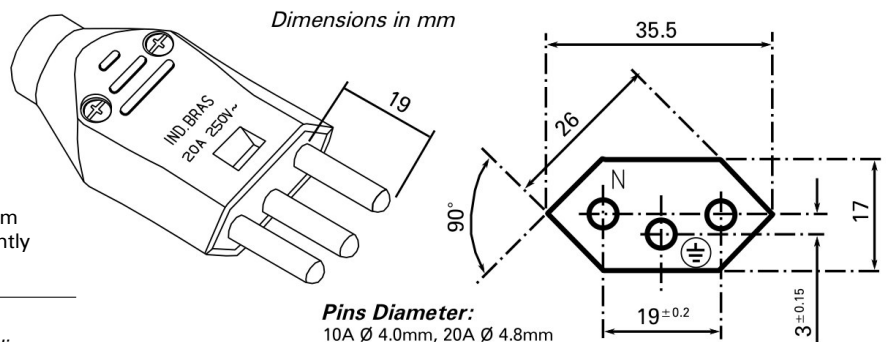
The pin-view of the standard IEC 60906-1 looks similar to the plugs in the Switzerland (SEV 1011), but the dimensions of the Brazil mains plug according to the standard NBR 14136 are different.

Brazil standard NBR 14136

The Class I and II plugs shapes are similar to the Europlug. Front profile is also a flat hexagon, but it is slightly thicker.

Plug looks remarkably similar to the Swiss SEV 1011 plug, but the earth pin is further 5mm away from the center line.

Both plugs are 35.5 mm wide. The 3-pin Class I plug is 17 mm high, whereas the 2-pin Class II plug is with only 14 mm slightly slimmer (the Europlug is only 0.3 mm smaller).



Specifications subject to change.

For complete specifications and availability, visit www.biaonline.com