



Specifically designed for short circuit protection of Telecommunications circuits, the Littelfuse L17T series fuses provide reliable protection of sensitive DC power distribution systems. Constructed with silver plated elements for low I^2t and peak let-through, these advanced fuses virtually eliminate equipment damage due to surges and spikes. The L17T series fuse's unique element geometry also provides cooler running temperatures, helping to minimize heat within enclosures.

SPECIFICATIONS

- Voltage Rating:** 170 VDC
- Interrupting Rating:** 100,000 amperes
- Ampere Range:** 70 – 1200 amperes
- Approvals:** UL Recognized under the Components Program (File No: E71611)
CSA Recognized under the Component Acceptance Program (File No: LR29862)

AMPERE RATINGS

70	125	225	350	500	1000
80	150	250	400	600	1200
100	200	300	450	800	

Example part number (series & amperage): L17T 200

RECOMMENDED FUSE BLOCKS

LTFD 6001 series

Refer to the LTFD series in this catalog section for additional information.

FEATURES

- Low I^2t
- Extremely current limiting
- Low operating temperature
- 170 VDC rating

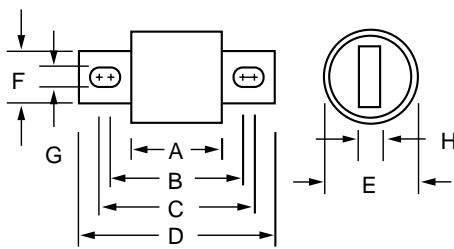


Fig. 3

AMPERE RATING	DIMENSIONS IN INCHES (mm in parentheses)							
	A	B	C	D	E	F	G	H
70 – 250	1-5/32 (29.4)	1-7/8 (47.6)	2-3/16 (55.6)	2-21/32 (67.5)	1 (25.4)	7/8 (22.2)	5/16 (7.9)	3/16 (4.8)
300 – 800	1-1/4 (31.8)	1-15/16 (49.2)	2-9/16 (65.1)	3-1/2 (88.9)	1-1/2 (38.1)	1 (25.4)	13/32 (10.3)	1/4 (6.35)
1000 – 1200	1-11/32 (34.0)	—	—	4-1/16 (103.12)	—	1-1/2 (38.1)	—	1/4 (6.35)

Contact Littelfuse for characteristic curves.



The TLN Series fuses are specifically designed for the protection of telecommunications DC power distribution circuits.

SPECIFICATIONS

Voltage Rating: 170 VDC

Interrupting Rating: 100,000 amperes

Ampere Range: 1 – 600 amperes

Approvals: UL Recognized under the components program
(File No: E71611)

AMPERE RATINGS

1	15	40	80	150	300	600
3	20	45	90	175	350	
5	25	50	100	200	400	
6	30	60	110	225	450	
10	35	70	125	250	500	

Example part number (series & amperage): TLN450

RECOMMENDED FUSE BLOCKS

R Series or LR250 Series

Refer to Fuse Block section of this catalog for additional information.

FEATURES

- 170 VDC
- Fast acting and current limiting
- 1 to 600 amperes
- Dimensionally similar to 250V Class R fuses

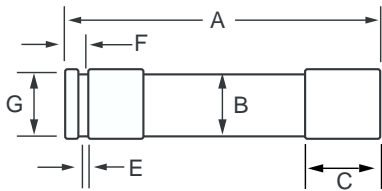


FIG. 1

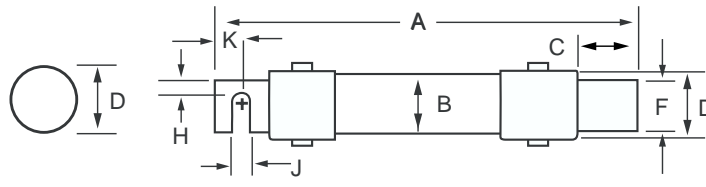


FIG. 2

AMPERE RATING	DIMENSIONS IN INCHES (mm in parentheses)									
	A	B	C	D	E	F	G	H	J	K
Figure 1										
1 – 30	2 (50.8)	1/2 (12.7)	1/2 (12.7)	9/16 (14.3)	5/64 (2.0)	5/32 (4.0)	3/8 (9.5)	—	—	—
35 – 60	3 (76.2)	3/4 (19.1)	5/8 (15.9)	13/16 (20.6)	3/32 (2.4)	3/16 (4.8)	5/8 (15.9)	—	—	—
Figure 2										
70 – 100	5-7/8 (149.2)	1 (25.4)	1-1/16 (27.0)	1-1/16 (27.0)	1/8 (3.2)	3/4 (19.1)	1-1/4 (31.6)	1/4 (6.4)	9/32 (7.1)	1/2 (12.7)
110 – 200	7-1/8 (181.0)	1-1/2 (38.1)	1-15/32 (37.3)	1-19/32 (40.5)	3/16 (4.8)	1-1/8 (28.6)	1-27/32 (46.8)	7/16 (11.1)	9/32 (7.1)	11/16 (17.5)
225 – 400	8-5/8 (219.1)	2 (50.8)	1-15/16 (49.2)	2-3/32 (53.2)	1/4 (6.4)	1-5/8 (41.3)	2-11/32 (59.5)	5/8 (15.9)	13/32 (10.3)	15/16 (23.8)
450 – 600	10-3/8 (263.5)	2-1/2 (63.5)	2-3/8 (60.3)	2-19/32 (65.9)	1/4 (6.4)	2 (50.8)	2-27/32 (72.2)	3/4 (19.1)	17/32 (13.5)	1-1/8 (28.6)

Contact Littelfuse for characteristic curves.



Littelfuse's TLS Series fuses are designed specifically for the protection of telecommunications equipment. TLS fuses have been engineered to operate up to 170 VDC to provide current limiting short circuit protection for cables and components found in the DC power distribution circuits of telecommunications systems. The TLS' compact design provides superior protection and high power density in an extremely compact package.

FEATURES

- 170 VDC
- Current limiting
- 1 to 70 amperes
- Circuit board mounting available (TLS_L series)

SPECIFICATIONS

Voltage Rating: 170 VDC

Interrupting Rating: 100,000 amperes

Ampere Range: 1 – 70 amperes

Approvals: UL Recognized under the components program (File No: E71611)

Construction: Caps: Silver-plated brass
Body: Glass melamine

AMPERE RATINGS

1	6	20	40	70
3	10	25	50	
5	15	30	60	

Example part number (series & amperage): TLS050

ORDERING INFORMATION

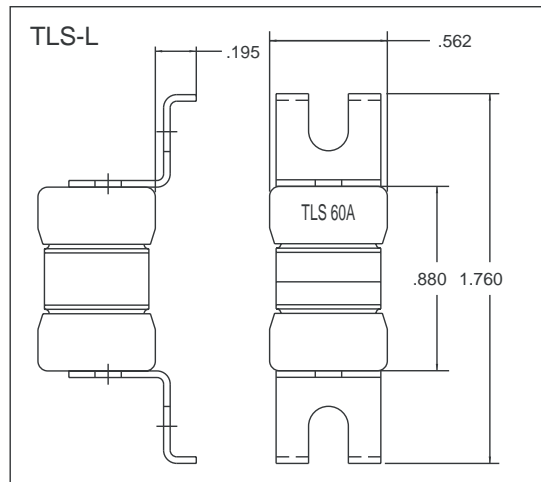
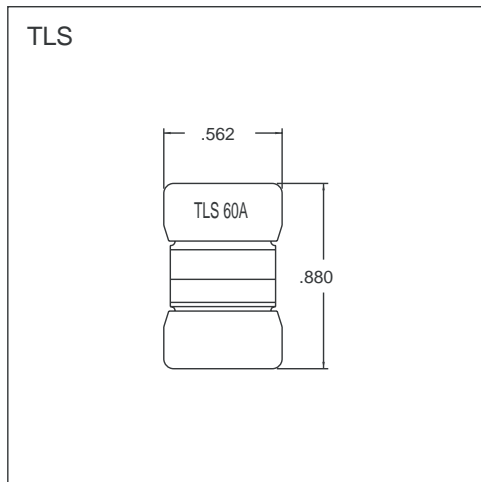
Catalog No.	Catalog No. Leaded Version*	Ampere Rating
TLS001	TLS001L	1
TLS003	TLS003L	3
TLS005	TLS005L	5
TLS006	TLS006L	6
TLS010	TLS010L	10
TLS015	TLS015L	15
TLS020	TLS020L	20
TLS025	TLS025L	25
TLS030	TLS030L	30
TLS040	TLS040L	40
TLS050	TLS050L	50
TLS060	TLS060L	60
TLS070	TLS070L	70

* Used for circuit board applications.

RECOMMENDED FUSE BLOCKS

LTFD series disconnect switches

Contact factory for more information.



Contact Littelfuse for characteristic curves.



SPECIFICATIONS

Voltage Rating: 145 VDC 70 – 600 amperes
60 VDC 800 – 1200 amperes

Ampere Range: 70 – 1200 amperes

Approvals: UL Recognized (E122674)

RECOMMENDED FUSES

L17T Series fuses

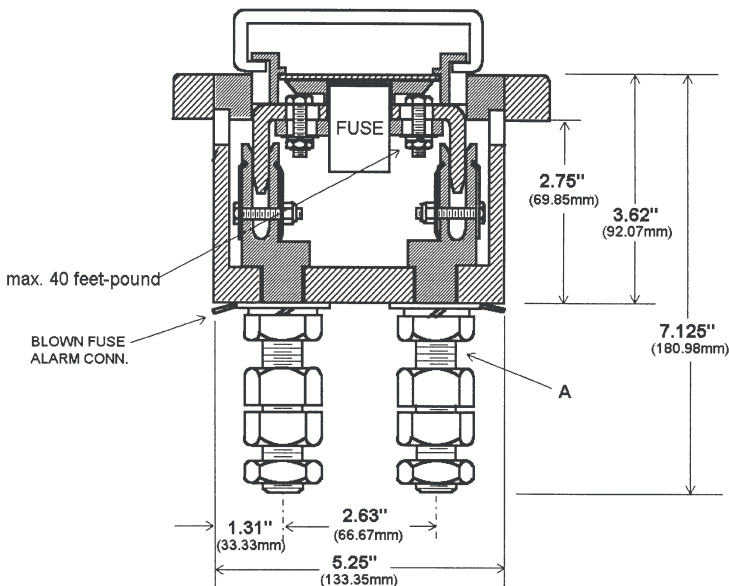
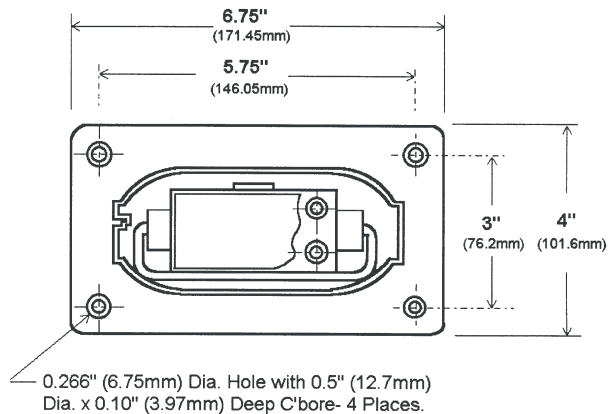
ORDERING INFORMATION

Catalog No.	Stud Size (A)	Amperes	Contact Nut Max. Torque
LTFD6001-00	3/4 – 16 x 3.5 in.	70 – 600	100 feet-pound
LTFD6001-01	7/8 – 14 x 3.5 in.	70 – 800	120 feet-pound
LTFD1200-01	Contact Factory	800 – 1200	Contact Factory

FEATURES

- 145 VDC, 70 to 600 amperes
- 60 VDC, 800 amperes

Littelfuse's compact LTFD 6001 Series holders are designed for use as a combination fuseholder and disconnect switch for telecommunications equipment. The rugged unit utilizes a pull-out fuse carrier to safely disconnect power and provide easy fuse replacement.



Contact factory for 1200A switch dimensions.